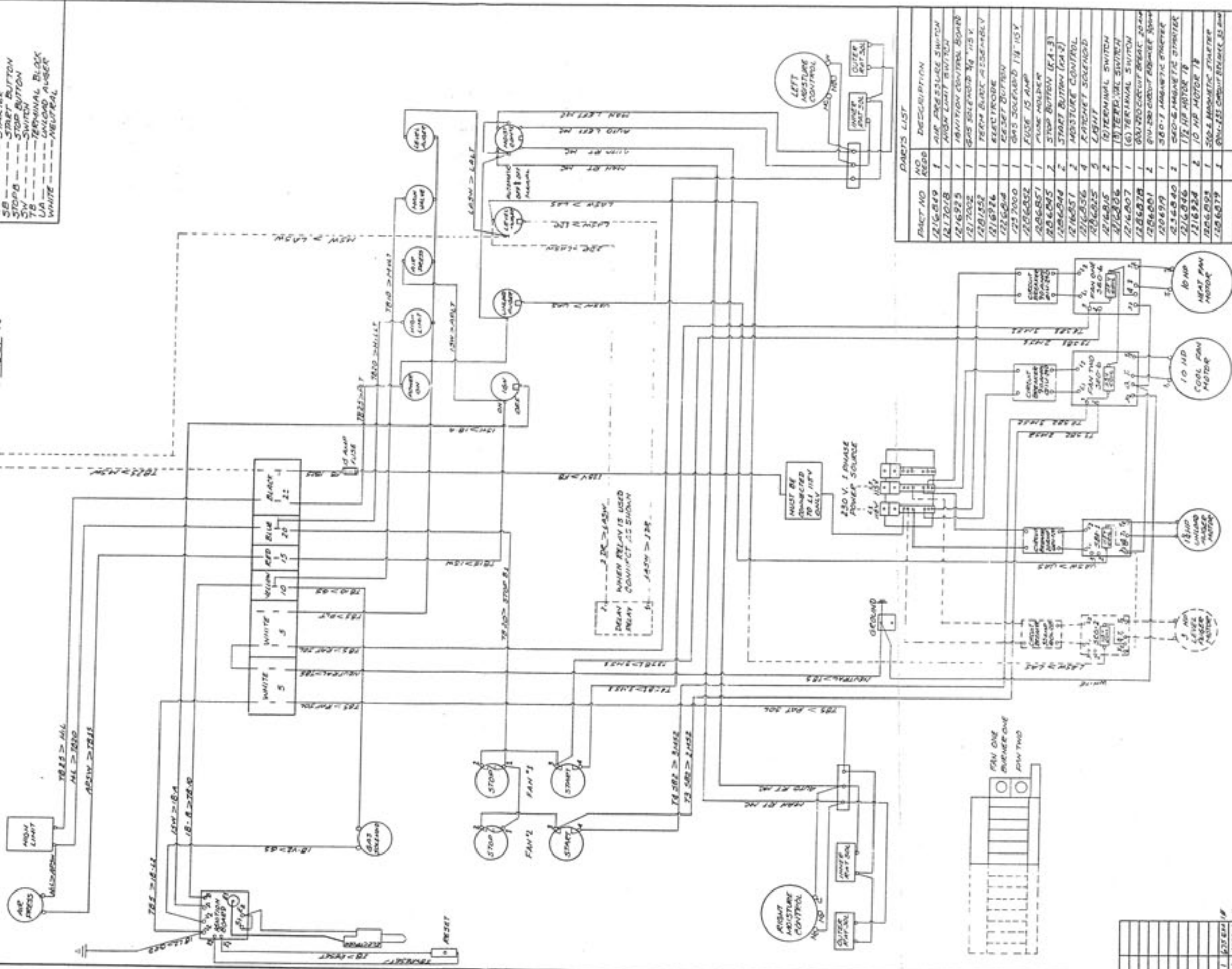


ELECTRICAL ABBREVIATIONS

APSW	AIR PRESSURE SWITCH
AUTO	AUTOMATIC
240 V	240 V
BR	DELAY RELAY
BLK	FUSE BLOCK
GRD	GROUND
GS	GAS SOLENOID
ML	HIGH LIMIT
IBV	IGNITION BOARD
LA	LEVEL ADJUSTER
LV	LEVEL SWITCH
LT	LIGHT
MAN	MANUAL
MC	MOISTURE CONTROL
MS	MAGNETIC STARTER
MSV	MERCURY SWITCH
MV	MAIN VALVE
P	POWER
PAT SOL	AUTOMAT SOLENOID
RESET	RESET BUTTON
RT	RIGHT
S	STARTER
SB	START BUTTON
STOP	STOP SWITCH
SW	STOP SWITCH
TB	TERMINAL BLOCK
UA	UNLOAD AUGER
WHITE	NEUTRAL

100 AMP SWITCH
MERCURY SWITCH
P-1239076
(OPTIONAL)

DESIGNATES OPTIONAL EQUIPMENT
OR FURNISHED BY CUSTOMER FOR
AUTOMATIC LOADING FOR SYSTEM 18 OR
STANDARD EQUIPMENT FOR LEVEL
AUGER FOR SYSTEM 18



PARTS LIST

PART NO	QTY	DESCRIPTION
1216049	1	AIR PRESSURE SWITCH
1217018	1	AIRFLOW LIMIT SWITCH
1216225	1	IGNITION CONTROL BOARD
1217002	1	GAS SOLENOID 1/8" 115 V.
1210152	1	TERMINAL BLOCK ASSEMBLY
1216076	1	ELECTRODE
1217000	1	GAS SOLENOID 1/8" 115 V.
1216052	1	FUSE 15 AMP
1216051	1	PLATE HOLDER
1216045	2	STOP BUTTON (R-A-B)
1216044	2	START BUTTON (R-A-B)
1216053	4	MOISTURE CONTROL
1216025	5	TERMINAL SOLENOID
1216016	2	TERMINAL SWITCH
1216007	1	(6) TERMINAL SWITCH
1216012	1	200-250 AMP CIRCUT BREAK 20 AMP
1216001	2	200-250 AMP CIRCUT BREAK 20 AMP
1216019	1	200-1 AMP MAGNETIC STARTER
1216040	2	200-2 AMP MAGNETIC STARTER
1216024	2	10 HP MOTOR 78
1216023	1	200-2 AMP MAGNETIC STARTER
1216017	1	200-25 AMP CIRCUT BREAK 25 AMP

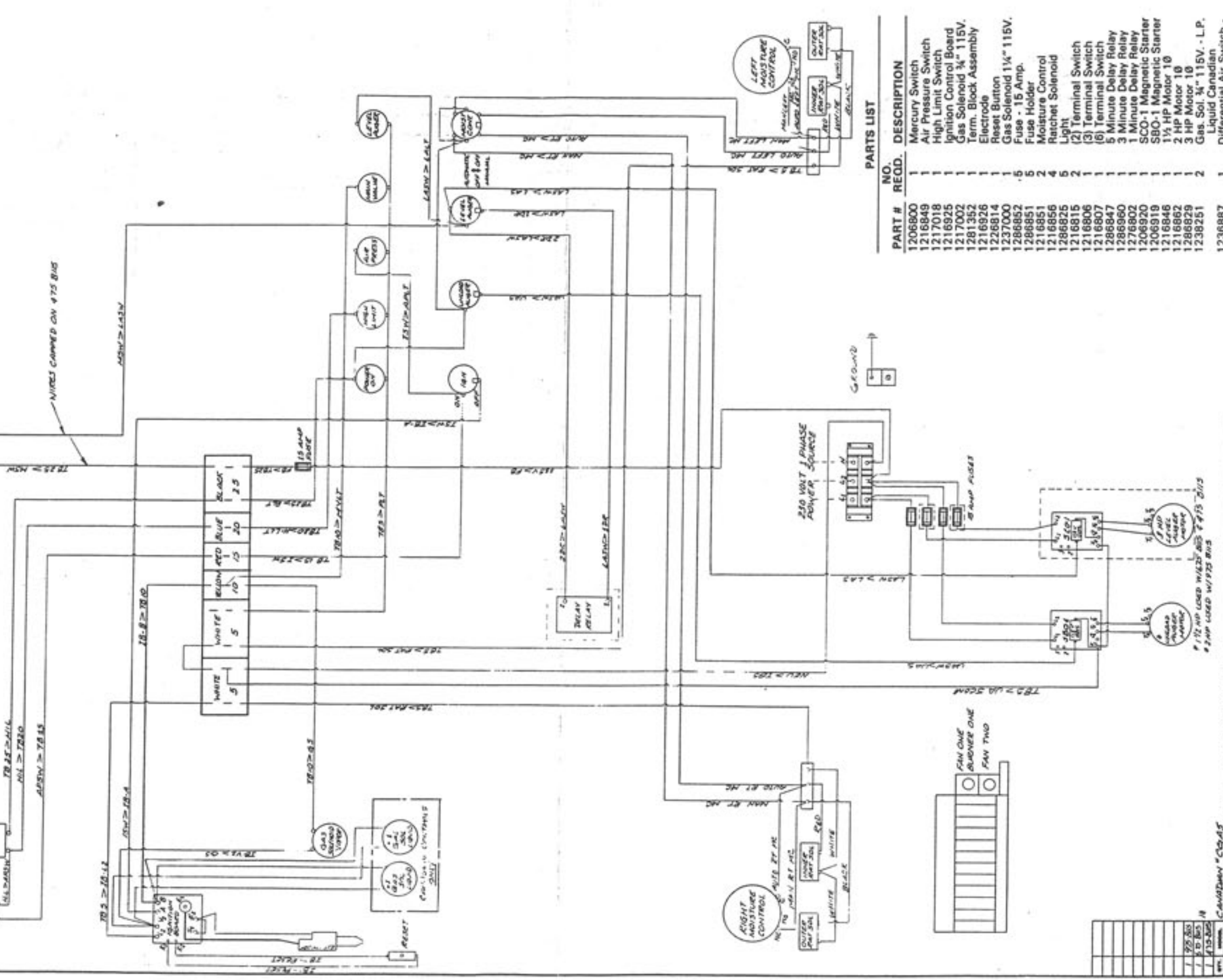
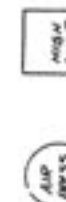
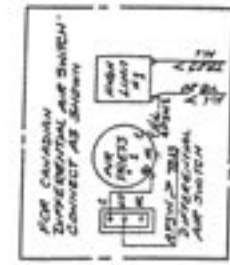
ELECTRICAL ABBREVIATIONS

- APSW --- AIR PRESSURE SWITCH
- AUTO --- AUTOMATIC
- BLK --- BLACK
- BY --- BY
- RY --- RELAY
- W --- WIRE
- BLK --- BLACK
- GRD --- GROUND
- CS --- GAS SOLENOID
- HL --- HIGH LIMIT
- IGN --- IGNITION
- IGN SW --- IGNITION SWITCH
- LA --- LEVEL ASSEMBLY
- LV --- LEVEL VALVE
- LT --- LIGHT
- MAN --- MANUAL
- MC --- MOISTURE CONTROL
- MS --- MOISTURE SWITCH
- MSV --- MOISTURE VALVE
- NEUTRAL
- RES --- RESISTOR
- RESOL --- RESET SOLENOID
- RES BT --- RESET BUTTON
- RT --- RATCHET
- SW --- SWITCH
- TR --- TERMINAL BLOCK
- UNL --- UNLOADING AUGER

RESISTORS
OPTIONAL EQUIPMENT OR FURNISHED
BY CUSTOMER FOR #75 BUS

DESIGNATED EQUIPMENT
NOT LOADED WITH #75 BUS

WIRES CARRIED ON #75 BUS



PARTS LIST

PART #	NO. REQD.	DESCRIPTION
1206800	1	Mercury Switch
1216849	1	Air Pressure Switch
1217018	1	High Limit Switch
1216925	1	Ignition Control Board
1217002	1	Gas Solenoid 1/4" 115V.
1281352	1	Term. Block Assembly
1216926	1	Electrode
1226814	1	Reset Button
1237000	1	Gas Solenoid 1/4" 115V.
1286852	5	Fuse - 15 Amp.
1286851	5	Fuse Holder
1216851	2	Moisture Control
1286825	4	Ratchet Solenoid
1216815	5	Light
1216806	2	(2) Terminal Switch
1216807	1	(3) Terminal Switch
1286847	5	Minute Delay Relay
1286860	1	3 Minute Delay Relay
1276802	1	1 Minute Delay Relay
1206920	1	SCO-1 Magnetic Starter
1206919	1	SBO-1 Magnetic Starter
1216848	1	1 1/2 HP Motor 10
1216862	1	3 HP Motor 10
1286829	1	Gas. Sol. 1/4" 115V. - L.P.
1238251	2	Liquid Canadian Differential Air Switch - Canadian
1236887	1	

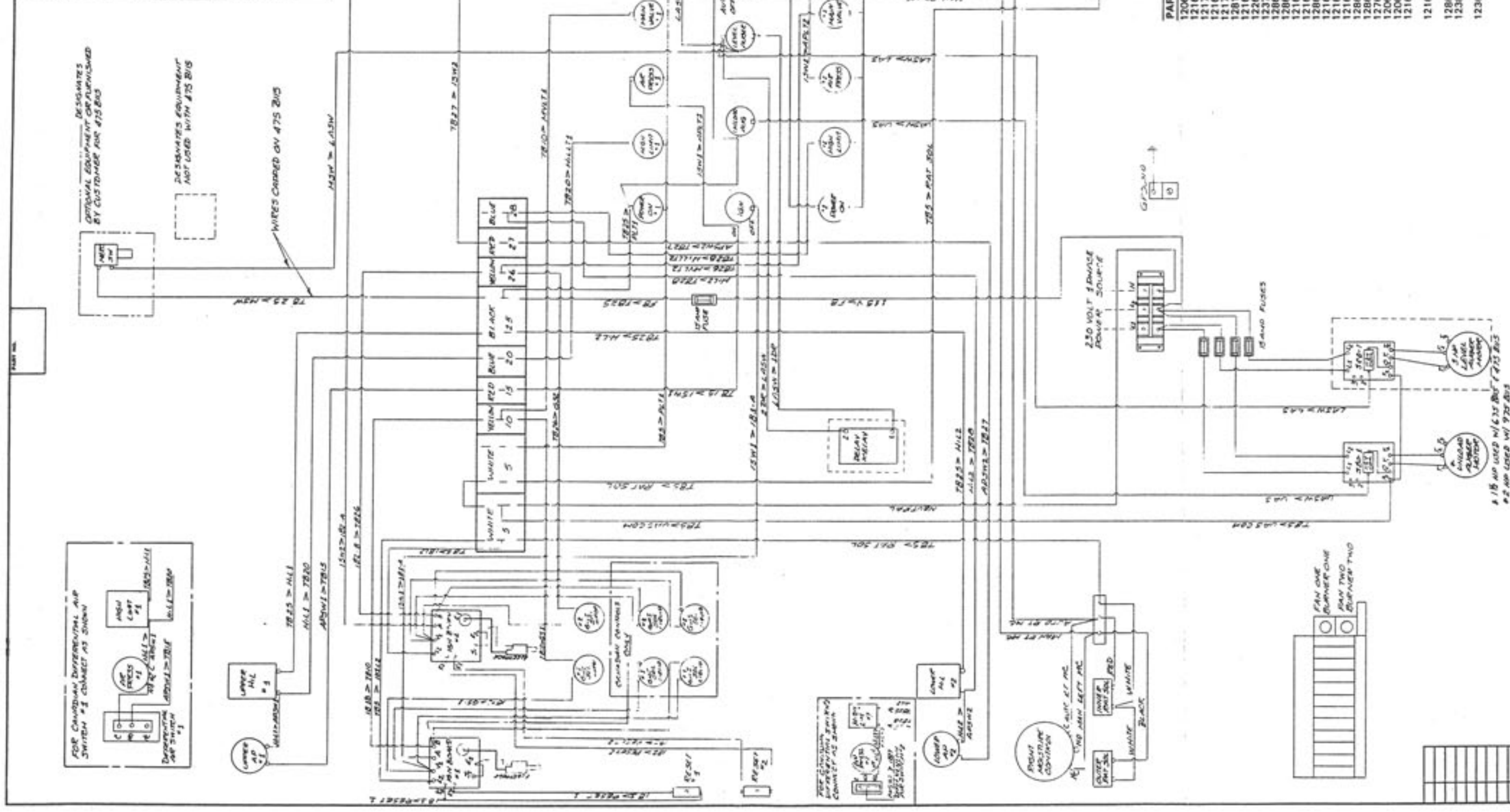
ELECTRICAL ABBREVIATIONS

APSW	AIR PRESSURE SWITCH
AUTO	AUTOMATIC
BLK	115 V
DR	DELAY RELAY
FB	FUSE BLOCK
GRD	GROUND
GS	GAS SOLENOID
HL	HIGH LIMIT
IB	IGNITION BOARD
ISW	IGNITION SWITCH
LA	LEVEL ALARMS
LSW	LEVEL SWITCH
LT	LIGHT
MAN	MANUAL
MC	MOISTURE CONTROL
MS	MAGNETIC STARTER
MSW	MERCURY SWITCH
MV	MAIN VALVE
NU (WHITE)	NEUTRAL
P	POWER
RATSO	RATCHET SOLENOID
RES	RESET BUTTON
RT	START
S	STARTER
SW	SWITCH
TS	TERMINAL BLOCK
UNL	UNLOADING ALARMS

DESIGNATES ORIGINAL EQUIPMENT OBTAINABLE BY CUSTOMER FOR #75 B03

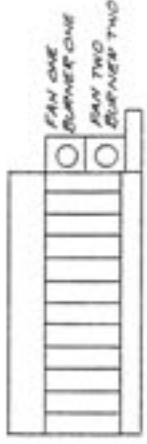
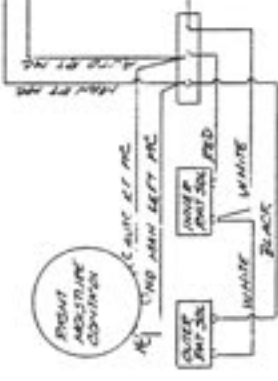
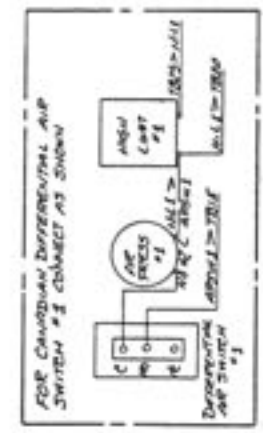
DESIGNATES EQUIPMENT NOT USED WITH #75 B03

WIRES COLORED ON #75 B03



PARTS LIST

PART #	QTY.	DESCRIPTION
1206800	1	Mercury Switch
1216849	2	Air Pressure Switch
1217018	2	High Limit Switch
1216925	2	Ignition Control Board
1217002	2	Gas Solenoid 1/4" 115V.
1281352	1	Term. Block Assembly
1216926	2	Electrode
1226814	2	Ratchet Solenoid
1237000	2	Gas Solenoid 1/4" 115V
1286852	5	Fuse Holder
1286851	5	Fuse - 15 Amp.
1216851	2	Moisture Control
1216856	4	Ratchet Solenoid
1286826	9	Light
1216816	3	(2) Terminal Switch
1216806	1	(6) Terminal Switch
1286847	1	5 Minute Delay Relay
1286960	1	3 Minute Delay Relay
1276802	1	1 Minute Delay Relay
1206920	1	SCO-1 Magnetic Starter
1206919	1	5/8 HP Motor 10"
1216846	1	1 1/2 HP Motor 10"
1216862	1	w/ 675 B115
1286829	1	w/ 975 B115
1236251	4	3 HP Motor 10"
		Gas Sol. M 115V L.P.
		Liquid Canadian
1236887	2	Differential Air Switch - Canadian



1236887 2 DIFFERENTIAL AIR SWITCH - CANADIAN

1236251 4 3 HP MOTOR 10" GAS SOL. M 115V L.P. LIQUID CANADIAN

1206919 1 5/8 HP MOTOR 10"

1206920 1 SCO-1 MAGNETIC STARTER

1286960 1 3 MINUTE DELAY RELAY

1286847 1 5 MINUTE DELAY RELAY

1216806 1 (6) TERMINAL SWITCH

1216816 3 (2) TERMINAL SWITCH

1286826 9 LIGHT

1216856 4 RATCHET SOLENOID

1286851 5 FUSE HOLDER

1237000 2 GAS SOLENOID 1/4" 115V

1226814 2 RATCHET SOLENOID

1281352 1 TERM. BLOCK ASSEMBLY

1217002 2 GAS SOLENOID 1/4" 115V.

1216925 2 IGNITION CONTROL BOARD

1217018 2 HIGH LIMIT SWITCH

1216849 2 AIR PRESSURE SWITCH

1206800 1 MERCURY SWITCH

NO. 1236887 2 DIFFERENTIAL AIR SWITCH - CANADIAN

NO. 1236251 4 3 HP MOTOR 10" GAS SOL. M 115V L.P. LIQUID CANADIAN

NO. 1206919 1 5/8 HP MOTOR 10"

NO. 1206920 1 SCO-1 MAGNETIC STARTER

NO. 1286960 1 3 MINUTE DELAY RELAY

NO. 1286847 1 5 MINUTE DELAY RELAY

NO. 1216806 1 (6) TERMINAL SWITCH

NO. 1216816 3 (2) TERMINAL SWITCH

NO. 1286826 9 LIGHT

NO. 1216856 4 RATCHET SOLENOID

NO. 1286851 5 FUSE HOLDER

NO. 1237000 2 GAS SOLENOID 1/4" 115V

NO. 1226814 2 RATCHET SOLENOID

NO. 1281352 1 TERM. BLOCK ASSEMBLY

NO. 1217002 2 GAS SOLENOID 1/4" 115V.

NO. 1216925 2 IGNITION CONTROL BOARD

NO. 1217018 2 HIGH LIMIT SWITCH

NO. 1216849 2 AIR PRESSURE SWITCH

NO. 1206800 1 MERCURY SWITCH

NO. 1236887 2 DIFFERENTIAL AIR SWITCH - CANADIAN

NO. 1236251 4 3 HP MOTOR 10" GAS SOL. M 115V L.P. LIQUID CANADIAN

NO. 1206919 1 5/8 HP MOTOR 10"

NO. 1206920 1 SCO-1 MAGNETIC STARTER

NO. 1286960 1 3 MINUTE DELAY RELAY

NO. 1286847 1 5 MINUTE DELAY RELAY

NO. 1216806 1 (6) TERMINAL SWITCH

NO. 1216816 3 (2) TERMINAL SWITCH

NO. 1286826 9 LIGHT

NO. 1216856 4 RATCHET SOLENOID

NO. 1286851 5 FUSE HOLDER

NO. 1237000 2 GAS SOLENOID 1/4" 115V

NO. 1226814 2 RATCHET SOLENOID

NO. 1281352 1 TERM. BLOCK ASSEMBLY

NO. 1217002 2 GAS SOLENOID 1/4" 115V.

NO. 1216925 2 IGNITION CONTROL BOARD

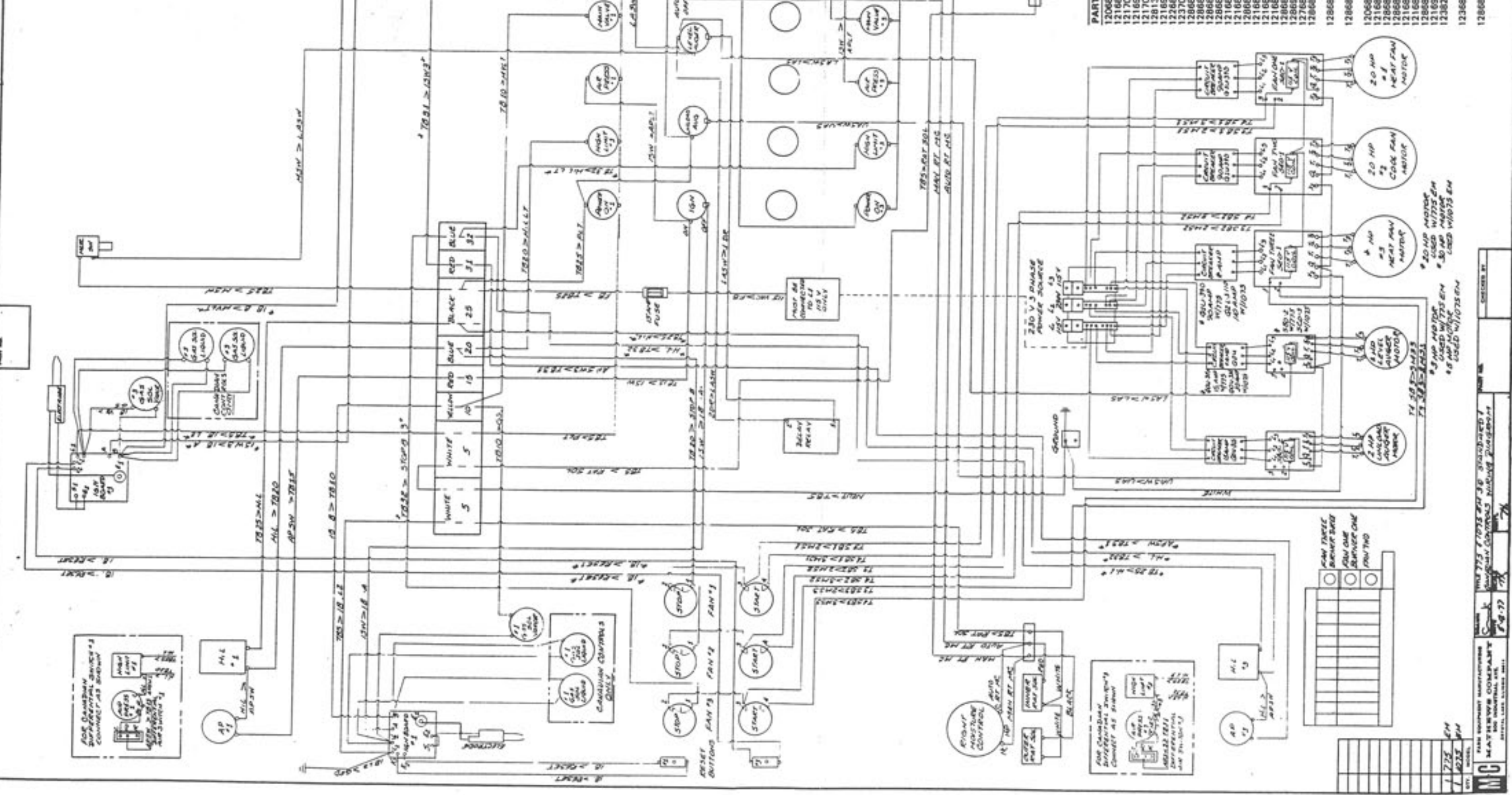
NO. 1217018 2 HIGH LIMIT SWITCH

NO. 1216849 2 AIR PRESSURE SWITCH

NO. 1206800 1 MERCURY SWITCH

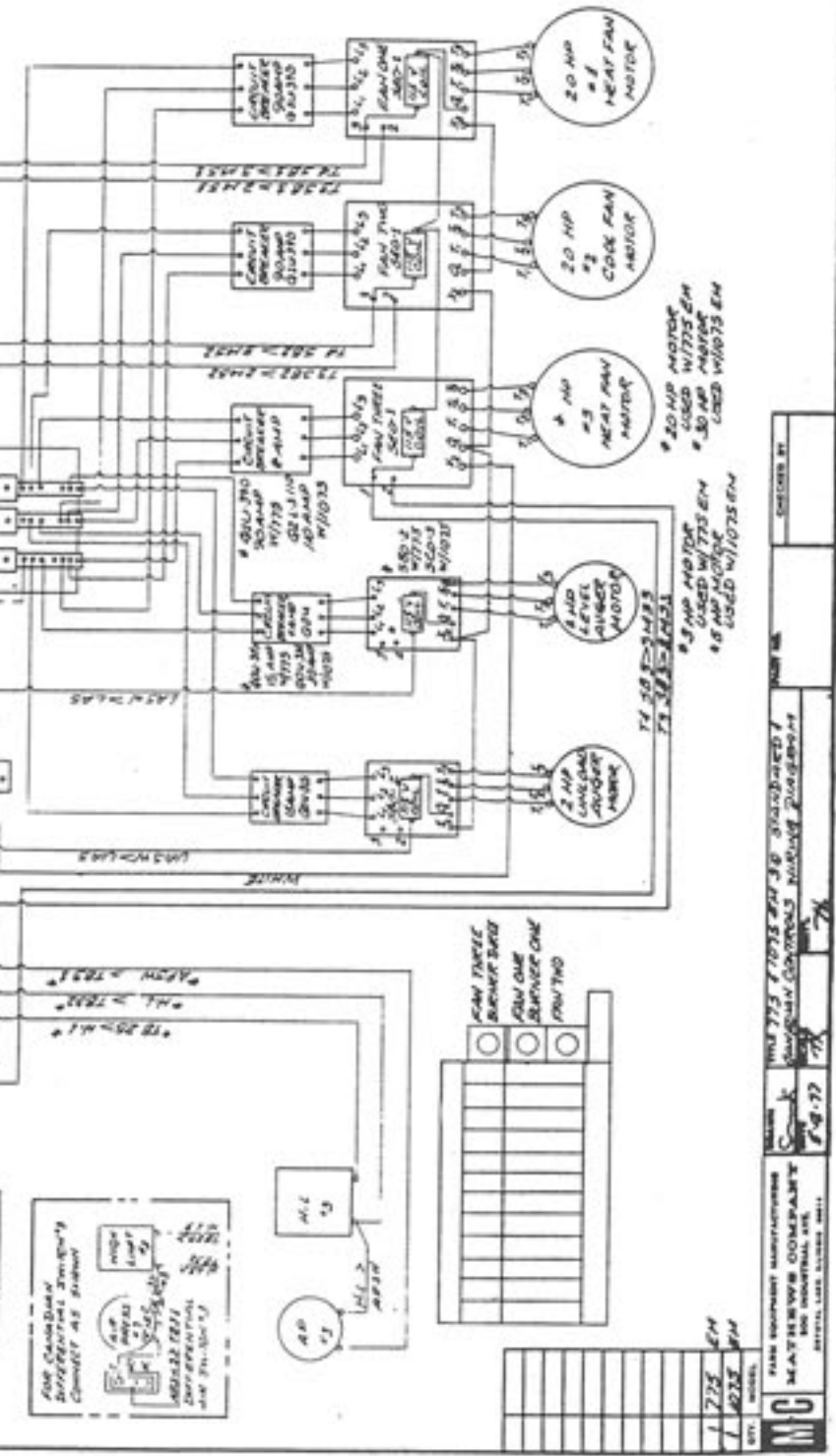
ELECTRICAL ABBREVIATIONS

APSW	AIR PRESSURE SWITCH
AUTO	AS REQUIRED AUTOMATIC
BLK	BLACK
FR	FUSE RELAY
GRD	GROUND
GSS	GAS SOLENOID
GSL	GAS SOLENOID
IAS	IGNITION SWITCH
LA	LEVEL ALARM
LSW	LEVEL SWITCH
LWT	LIGHT
MAN	MANUAL
MCON	MOISTURE CONTROL
MCS	MAGNETIC STARTER
MVS	MERCURY SWITCH
RAT	RAVEN
RAT.SOL	RATCHET SOLENOID
RESCT	RESET BUTTON
RT	RIGHT
S	STARTER
SB	STOP BUTTON
SW	SWITCH
TR	TERMINAL BLOCK
UNL	UNLOAD ALARM
WAVE	WAVE



PARTS LIST

PART #	QTY.	DESCRIPTION
1206800	1	Mercury Switch
1216849	2	Air Pressure Switch
1217018	2	High Limit Switch
1216825	2	Ignition Control Board
1217002	2	Gas Solenoid M. 115V
1281353	2	Term. Block Assembly
1216826	2	Electrode
1226814	2	Reset Button
1237000	2	Gas Solenoid 1 1/4" 115V
1286852	2	Fuse - 15 Amp.
1286851	3	Fuse Holder
1286845	3	Stop Button (KA-3)
1286844	3	Start Button (KA-2)
1216851	2	Moisture Control
1216856	4	Ratchet Solenoid
1286825	4	Light
1216815	3	(2) Terminal Switch
1216806	1	(3) Terminal Switch
1216807	1	5 Minute Delay Relay
1286847	1	3 Minute Delay Relay
1286860	1	1 Minute Delay Relay
1276802	1	COU-3 15 Circuit Breaker w/ 15 Amp.
1286884	A.R.	O1U-3 90 Circuit Breaker w/ 90 Amp.
1286885	A.R.	O1U-3 110 Circuit Breaker w/ 110 Amp.
1286887	A.R.	SBO-2 Magnetic Starter
1206883	A.R.	SBO-1 Magnetic Starter
1216876	3	3 HP Motor 30
1286818	A.R.	5 HP Motor 30
1286815	A.R.	2 HP Motor 30
1216851	A.R.	20 HP Motor 30
1216881	A.R.	20 HP Motor 30
1286816	A.R.	30 HP Motor 30
1216847	A.R.	SCO-3 Magnetic Starter Gas Sol. 1/2 115V. L.P.
1236251	4	Liquid Canadian.
1236887	2	Differential Air Switch - Canadian.
1286884	A.R.	COU-3 30 Circuit Breaker w/ 30 Amp.



REVISIONS

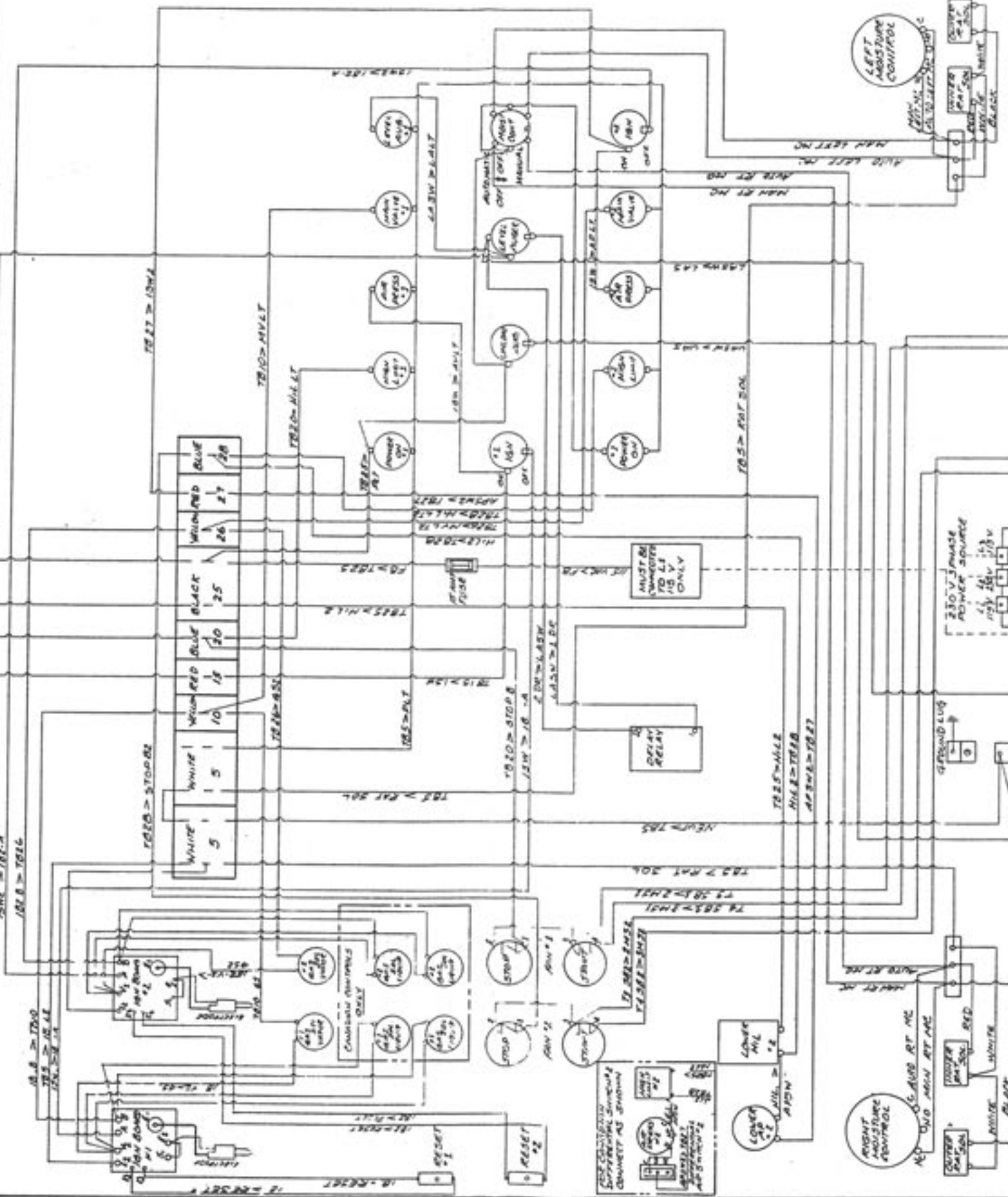
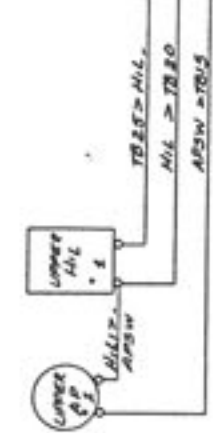
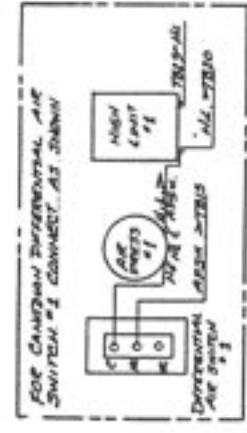
NO.	DATE	DESCRIPTION
1	7-24-54	CM
1	10-23-54	EM
1	1-12-55	EM

FOR COMPLETE DIFFERENTIAL SWITCHING CONNECT AS SHOWN
FOR COMPLETE DIFFERENTIAL SWITCHING CONNECT AS SHOWN
REVISIONS

MANUFACTURED BY
MILWAUKEE
MILWAUKEE, WISCONSIN
PART NO. 1-705-100-138
MILWAUKEE COMPANY
MILWAUKEE, WISCONSIN

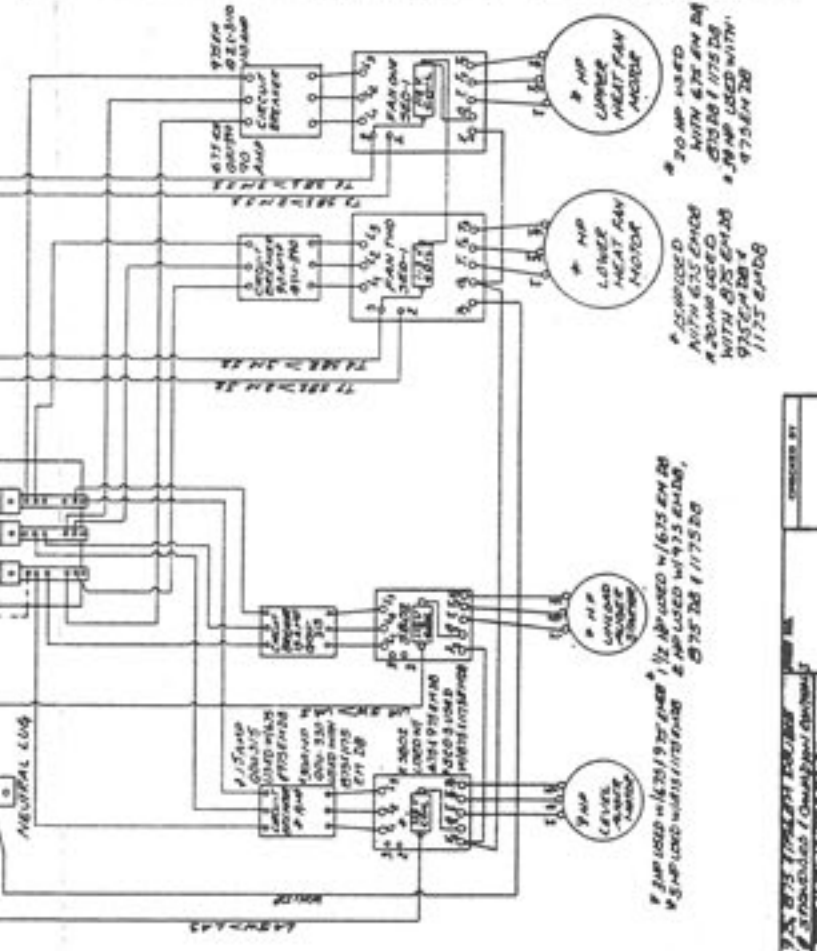
ELECTRICAL ABBREVIATIONS

APSW	AIR PRESSURE SWITCH
AUTO	AUTOMATIC
BLK	BLACK
DP	DELAY RELAY
FB	FUSE BLOCK
GRD	GROUND
GS	GAS SOLENOID
HL	HIGH LIMIT
IB	IGNITION BOARD
ISW	IGNITION SWITCH
LA	LEVEL RAISER
LSW	LEVEL SWITCH
LT	LIGHT
MAN	MANUAL
MC	MOISTURE CONTROL
MS	MAGNETIC STARTER
MSW	MAGNETIC SWITCH
MY	MAIN VALVE
OP	OPERATOR
RSOL	RESISTANT SOLENOID
RS	RESET BUTTON
RT	RELAY
ST	STARTER
STPB	STOP BUTTON
SW	SWITCH
TR	TERMINAL BLOCK
UNL	UNLOADING ALARM
WHT	WHITE



PARTS LIST

PART #	QTY	DESCRIPTION
1206800	1	Mercury Switch
1216849	3	Air Pressure Switch
1217018	3	High Limit Switch
1216825	3	Ignition Control Board
1217002	3	Gas Solenoid 1/4" 115V.
1281354	3	Term. Block Assembly
1216826	3	Electrode
1226814	3	Reset Button
1237000	3	Gas Solenoid 1/4" 115V.
1286852	1	Fuse - 15 Amp.
1286851	1	Fuse Holder
1286845	3	Stop Button (KA-3)
1286844	3	Start Button (KA-2)
1216851	2	Moisture Control
1216856	4	Resistor Solenoid
1286825	13	Light
1216815	4	(2) Terminal Switch
1216806	1	(3) Terminal Switch
1216807	1	(6) Terminal Switch
1286847	1	5 Minute Delay Relay
1286860	1	3 Minute Delay Relay
1276802	1	1 Minute Delay Relay
1286882	A.R.	00U-3 15 Circuit Breaker
		15 Amp.
1286884	A.R.	00U-3 30 Circuit Breaker
		30 Amp.
1286885	A.R.	01U-3 90 Circuit Breaker
		w/ 90 Amp.
1286887	A.R.	02L-3 110 Circuit Breaker
		w/ 110 Amp.
1206803	A.R.	S80-2 Magnetic Starter
1216816	A.R.	3 HP Motor 30
1286815	A.R.	5 HP Motor 30
1216881	A.R.	2 HP Motor 30
1216881	A.R.	1 HP Motor 30
1286816	A.R.	30 HP Motor 30
1216847	A.R.	SC0-3 Magnetic Starter
1236821	4	Gas Sol. 1/4" 115V. L.P.
1236887	2	Differential Air Switch - Canadian

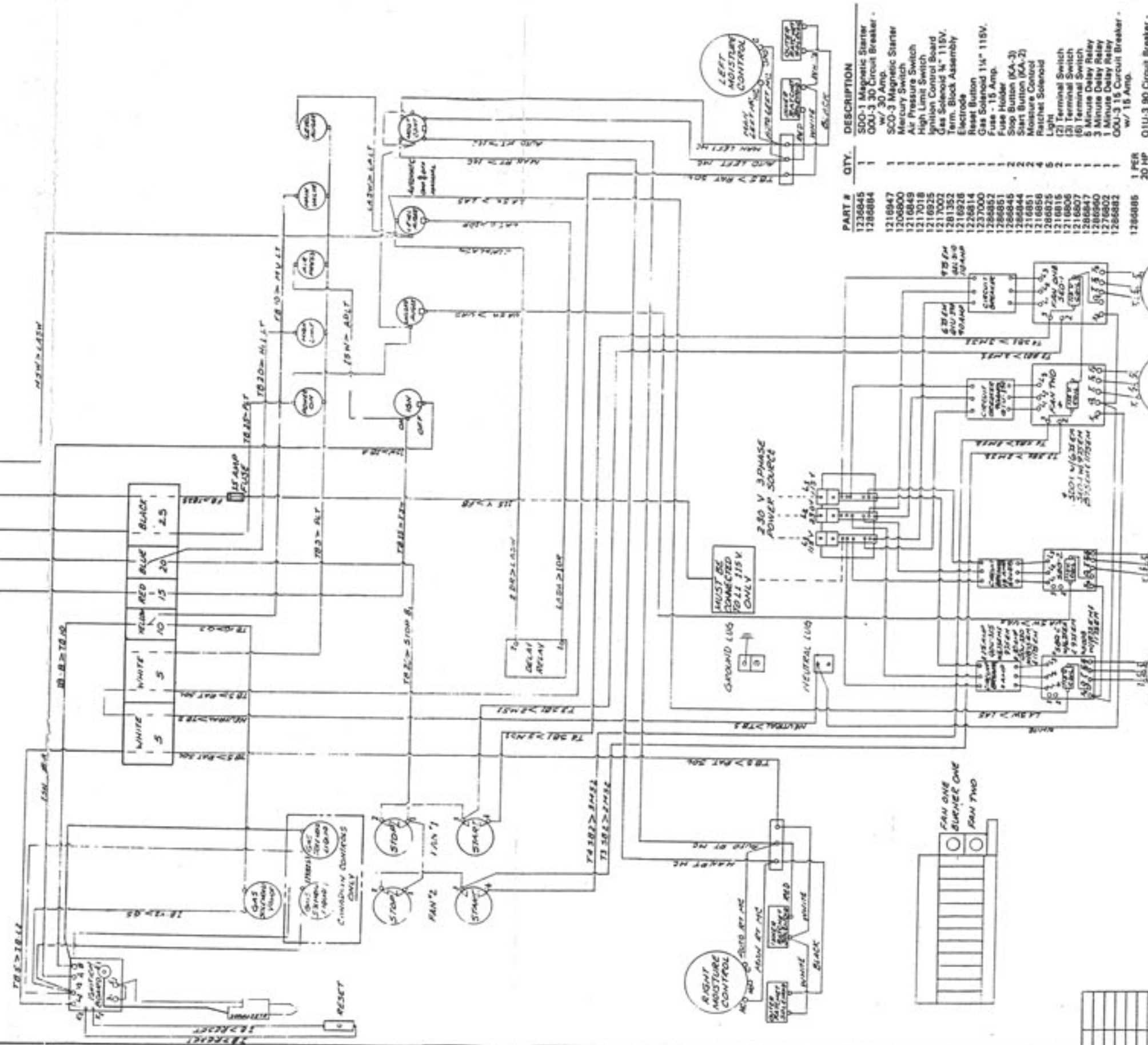
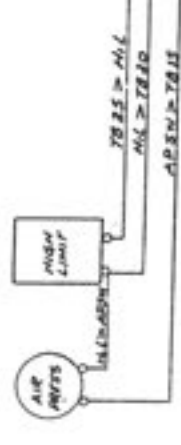
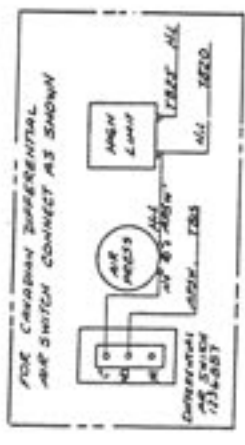


* 2 HP USED WITH 90 AMP. FUSE
 * 5 AMP USED WITH 15 AMP. FUSE
 * 30 AMP USED WITH 30 AMP. FUSE
 * 1 HP USED WITH 15 AMP. FUSE
 * 2 HP USED WITH 30 AMP. FUSE
 * 5 HP USED WITH 90 AMP. FUSE
 * 30 HP USED WITH 300 AMP. FUSE

FOR BOTTOM SECTION
 * 2 HP USED WITH 90 AMP. FUSE
 * 5 AMP USED WITH 15 AMP. FUSE
 * 30 AMP USED WITH 30 AMP. FUSE
 * 1 HP USED WITH 15 AMP. FUSE
 * 2 HP USED WITH 30 AMP. FUSE
 * 5 HP USED WITH 90 AMP. FUSE
 * 30 HP USED WITH 300 AMP. FUSE

ELECTRICAL ABBREVIATIONS

- APSW --- AIR PRESSURE SWITCH
- BLACK --- BLACK
- AV --- ALTERNATE
- DB --- DELAY RELAY
- FUSE BLOCK --- FUSE BLOCK
- GRD --- GROUND
- HLS --- HIGH LIMIT
- IBSW --- IGNITION SWITCH
- LSW --- LEVEL SWITCH
- LSWT --- LIGHT SWITCH
- MAK --- MANUAL
- MC --- MAGNETIC MOTOR CONTROL
- MS --- MERCURY STARTER
- MSW --- MERCURY SWITCH
- MV --- MAIN VALVE
- AD --- POWER
- PAT SOL --- PATENT SOLENOID
- RF --- RESET BUTTON
- S --- LIGHT
- ST --- STARTER
- STOP B --- STOP BUTTON
- SW --- SWITCH
- T/S --- THERMAL BLOCK
- UA --- UNLOADED AUGER
- WHITE --- WHITE

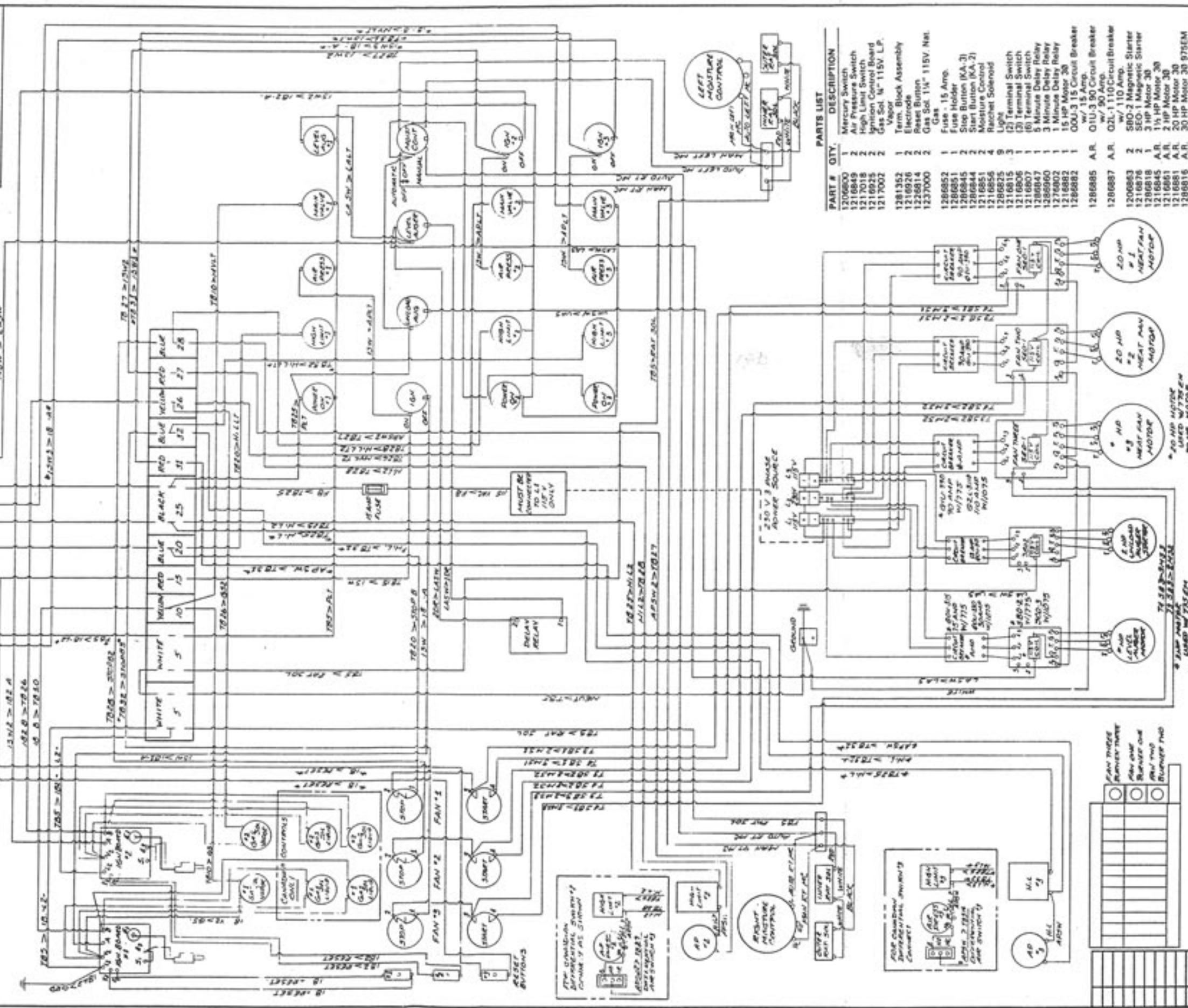


PART #	DESCRIPTION	QTY.	PER 30 HP
1286845	SCO-1 Magnetic Starter w/ 30 Amp	1	1
1286804	OOU-3 30 Circuit Breaker w/ 30 Amp	1	1
1206800	Mercury Switch	2	2
1206849	SCO-3 Magnetic Starter	3	3
1217018	Air Pressure Switch	1	1
1216925	High Limit Switch	1	1
1217002	Ignition Control Board	1	1
1281352	Gas Solenoid M* 115V.	1	1
1216926	Term. Block Assembly	1	1
1268114	Electrode	1	1
1237000	Reset Button	1	1
1286852	Gas Solenoid 1/4" 115V.	1	1
1286851	Fuse Holder	1	1
1286845	Stop Button (KA-3)	2	2
1286844	Start Button (KA-2)	2	2
1216851	Measure Control	4	4
1216856	Ratchet Solenoid	2	2
1286825	Light	4	4
1216815	(2) Terminal Switch	2	2
1216806	(6) Terminal Switch	6	6
1286847	5 Minute Delay Relay	1	1
1286840	3 Minute Delay Relay	1	1
1276802	1 Minute Delay Relay	1	1
1286882	OOU-3 15 Circuit Breaker w/ 15 Amp	1	1
1286885	OIU-3 90 Circuit Breaker w/ 90 Amp	1	1
1286887	OZL-3 110 Circuit Breaker w/ 110 Amp	1	1
1206863	SBO-2 Magnetic Starter	2	2
1286818	3 HP Motor 30	1	1
1216845	1 1/2 HP Motor 30	1	1
1216861	2 HP Motor 30	1	1
1216881	20 HP Motor 30	1	1
1286816	30 HP Motor 30	1	1
1216882	15 HP Motor 30	1	1

* 1/2 HP USED W/ 6.25 CFM
 * 1 HP USED W/ 10 CFM
 * 2 HP USED W/ 15 CFM
 * 3 HP USED W/ 20 CFM
 * 5 HP USED W/ 25 CFM
 * 10 HP USED W/ 40 CFM
 * 15 HP USED W/ 50 CFM
 * 20 HP USED W/ 60 CFM
 * 30 HP USED W/ 75 CFM
 * 40 HP USED W/ 100 CFM
 * 50 HP USED W/ 125 CFM
 * 60 HP USED W/ 150 CFM
 * 75 HP USED W/ 180 CFM
 * 90 HP USED W/ 210 CFM
 * 110 HP USED W/ 250 CFM
 * 125 HP USED W/ 300 CFM
 * 150 HP USED W/ 350 CFM
 * 175 HP USED W/ 400 CFM
 * 200 HP USED W/ 450 CFM
 * 225 HP USED W/ 500 CFM
 * 250 HP USED W/ 550 CFM
 * 300 HP USED W/ 650 CFM
 * 350 HP USED W/ 750 CFM
 * 400 HP USED W/ 850 CFM
 * 450 HP USED W/ 950 CFM
 * 500 HP USED W/ 1050 CFM
 * 600 HP USED W/ 1250 CFM
 * 700 HP USED W/ 1450 CFM
 * 800 HP USED W/ 1650 CFM
 * 900 HP USED W/ 1850 CFM
 * 1000 HP USED W/ 2050 CFM
 * 1100 HP USED W/ 2250 CFM
 * 1200 HP USED W/ 2450 CFM
 * 1300 HP USED W/ 2650 CFM
 * 1400 HP USED W/ 2850 CFM
 * 1500 HP USED W/ 3050 CFM
 * 1600 HP USED W/ 3250 CFM
 * 1700 HP USED W/ 3450 CFM
 * 1800 HP USED W/ 3650 CFM
 * 1900 HP USED W/ 3850 CFM
 * 2000 HP USED W/ 4050 CFM
 * 2100 HP USED W/ 4250 CFM
 * 2200 HP USED W/ 4450 CFM
 * 2300 HP USED W/ 4650 CFM
 * 2400 HP USED W/ 4850 CFM
 * 2500 HP USED W/ 5050 CFM
 * 2600 HP USED W/ 5250 CFM
 * 2700 HP USED W/ 5450 CFM
 * 2800 HP USED W/ 5650 CFM
 * 2900 HP USED W/ 5850 CFM
 * 3000 HP USED W/ 6050 CFM

ELECTRICAL ABBREVIATIONS

AE	AS REQUIRED
APSW	AIR PRESSURE SWITCH
AUTO	AUTOMATIC
BLK	BLACK
BR	BRIDGE
CR	CRUISE RELAY
GRD	GROUND
GS	GAS SOLENOID
HL	HIGH LIMIT
IB	IGNITION BOARD
ISW	IGNITION SWITCH
LA	LEVEL AUGER
LWS	LEVEL SWITCH
LT	LIGHT
MAN	MANUAL
MCC	MOISTURE CONTROL
MCS	MAGNETIC STARTER
MSW	MERCURY SWITCH
MV	MAIN VALVE
MS	MANUAL STOP
MSOL	MAGNETIC SOLENOID
RS	RESET BUTTON
S	STARTER
SB	STOP BUTTON
SBS	STOP SWITCH
SW	SWITCH
TR	TERMINAL BLOCK
U/L	UNLOAD AUGER
WHT	WHITE
WTR	WATER
WTR	WATER
WTR	WATER



PARTS LIST

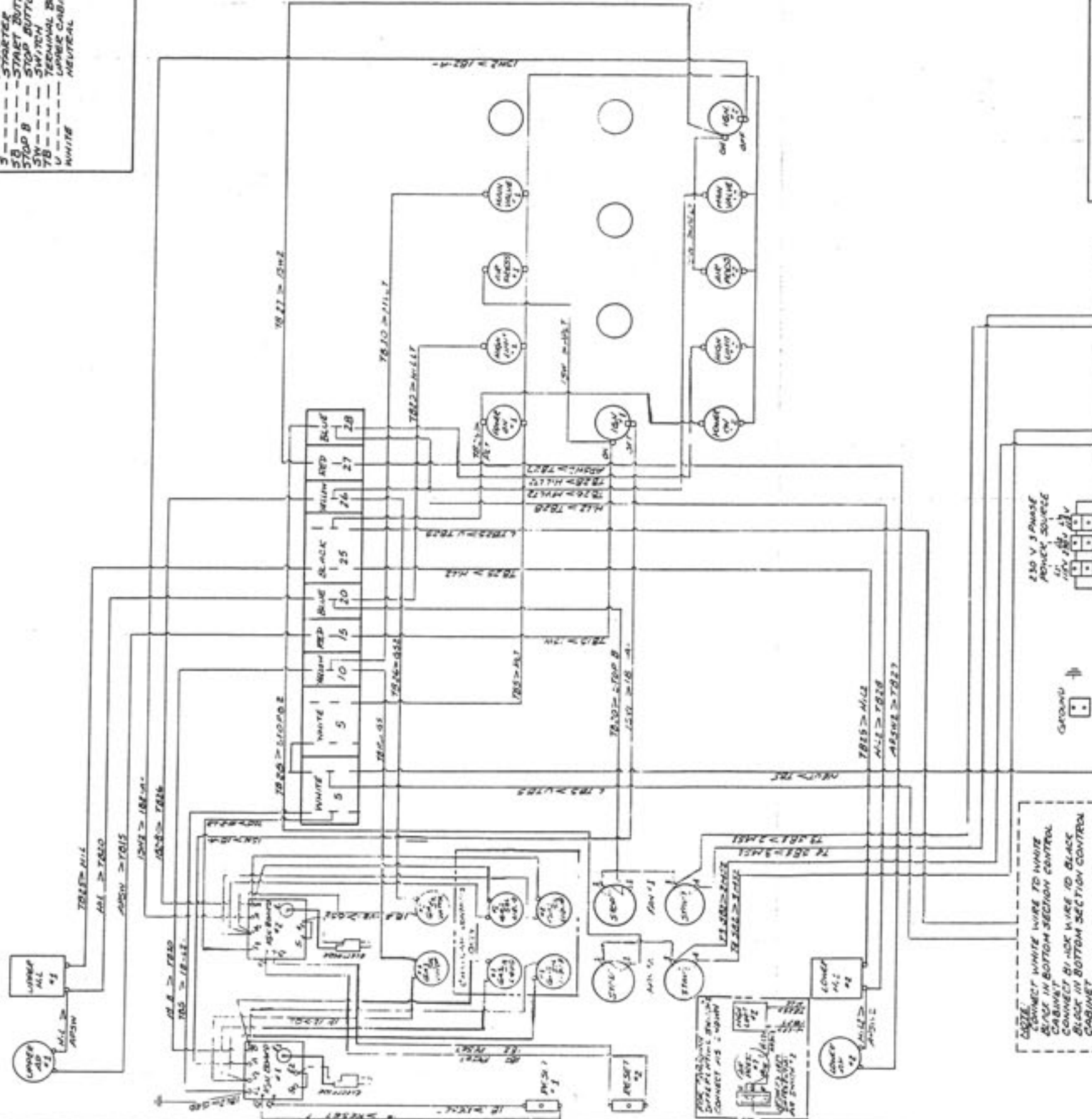
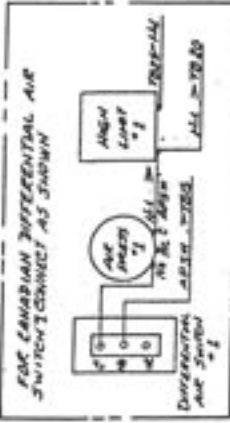
PART #	QTY.	DESCRIPTION
1206800	1	Mercury Switch
1216849	2	Air Pressure Switch
1217018	2	High Limit Switch
1216925	2	Ignition Control Board
1217002	2	Gas Sol. "M" 115V L.P. Vapor
1281352	1	Term. Block Assembly
1216926	1	Electrode
1226814	2	Reset Button
1237000	2	Gas Sol. 1 1/4" 115V. Npl. Gas
1286852	1	Fuse - 15 Amp.
1286851	1	Fuse Holder
1286845	2	Stop Button (K.A.3)
1286844	2	Start Button (K.A.2)
1216851	2	Moisture Control
1216855	4	Ratchet Solenoid
1286825	9	Light
1216815	3	(2) Terminal Switch
1216806	1	(8) Terminal Switch
1216807	1	(6) Terminal Switch
1286847	1	5 Minute Delay Relay
1286960	1	1 Minute Delay Relay
1274802	1	1 Minute Delay Relay
1216882	1	15 HP Motor 30
1286882	1	OOU-3 15 Circuit Breaker w/ 15 Amp.
1286885	A.R.	O1U-3 90 Circuit Breaker w/ 90 Amp.
1286887	A.R.	O2L-1 110 Circuit Breaker w/ 110 Amp.
1206853	2	SR0-2 Magnetic Starter
1216876	2	SR0-1 Magnetic Starter
1286818	1	3 HP Motor 30
1216845	A.R.	1 1/2 HP Motor 30
1216846	A.R.	2 HP Motor 30
1216847	A.R.	3 HP Motor 30
1286814	A.R.	20 HP Motor 30 97SEM
1286816	A.R.	20 HP Motor 30
1286884	A.R.	OOU-3 30 Circuit Breaker w/ 30 Amp.
1216847	A.R.	SR0-3 Magnetic Starter
1238251	4	Gas Sol. "M" 115V L.P. Liquid Canadian
1236887	2	Differential Air Switch Canadian

FOR CAUTIONARY DIFFERENTIAL SWITCHES CONTACT AS SHOWN
 FOR CAUTIONARY DIFFERENTIAL SWITCHES CONTACT AS SHOWN
 230 V 3 PHASE POWER SOURCE
 24 V 5 A POWER SOURCE
 115 V AC SOURCE
 10 AMP
 15 AMP
 30 AMP
 90 AMP
 110 AMP
 150 AMP
 20 AMP
 30 AMP
 40 AMP
 50 AMP
 60 AMP
 70 AMP
 80 AMP
 90 AMP
 100 AMP
 110 AMP
 120 AMP
 130 AMP
 140 AMP
 150 AMP
 160 AMP
 170 AMP
 180 AMP
 190 AMP
 200 AMP
 210 AMP
 220 AMP
 230 AMP
 240 AMP
 250 AMP
 260 AMP
 270 AMP
 280 AMP
 290 AMP
 300 AMP
 310 AMP
 320 AMP
 330 AMP
 340 AMP
 350 AMP
 360 AMP
 370 AMP
 380 AMP
 390 AMP
 400 AMP
 410 AMP
 420 AMP
 430 AMP
 440 AMP
 450 AMP
 460 AMP
 470 AMP
 480 AMP
 490 AMP
 500 AMP
 510 AMP
 520 AMP
 530 AMP
 540 AMP
 550 AMP
 560 AMP
 570 AMP
 580 AMP
 590 AMP
 600 AMP
 610 AMP
 620 AMP
 630 AMP
 640 AMP
 650 AMP
 660 AMP
 670 AMP
 680 AMP
 690 AMP
 700 AMP
 710 AMP
 720 AMP
 730 AMP
 740 AMP
 750 AMP
 760 AMP
 770 AMP
 780 AMP
 790 AMP
 800 AMP
 810 AMP
 820 AMP
 830 AMP
 840 AMP
 850 AMP
 860 AMP
 870 AMP
 880 AMP
 890 AMP
 900 AMP
 910 AMP
 920 AMP
 930 AMP
 940 AMP
 950 AMP
 960 AMP
 970 AMP
 980 AMP
 990 AMP
 1000 AMP

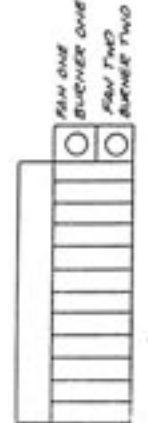
APSW
 TR25
 TR26
 TR27
 TR28
 TR29
 TR30
 TR31

ELECTRICAL ABBREVIATIONS

APSW	AIR PRESSURE SWITCH
AUTO	AUTOMATIC
BLACK	115 V
B	PLUG BLOCK
GR	GROUND
GRS	GRASS SOLENOID
HL	HIGH LIMIT
IB	IGNITION BOARD
ISW	IGNITION SWITCH
L	LOWER CABINET
L1	LIGHT
L2	LIGHT
MAN	MANUAL
MAG	MAGNETIC STARTER
MV	MANV VALVE
P	POWER
RESET	RESET BUTTON
RT	RIGHT
S	STARTER
S1	STARTER
STOP B	STOP BUTTON
SW	SWITCH
T	TERMINAL BLOCK
U	UPPER CABINET
WHITE	NEUTRAL



NOTE:
 CONNECT WHITE WIRE TO WHITE
 BLACK IN BOTTOM SECTION CONTROL
 CABINET
 CONNECT BLACK WIRE TO BLACK
 BLACK IN BOTTOM SECTION CONTROL
 CABINET



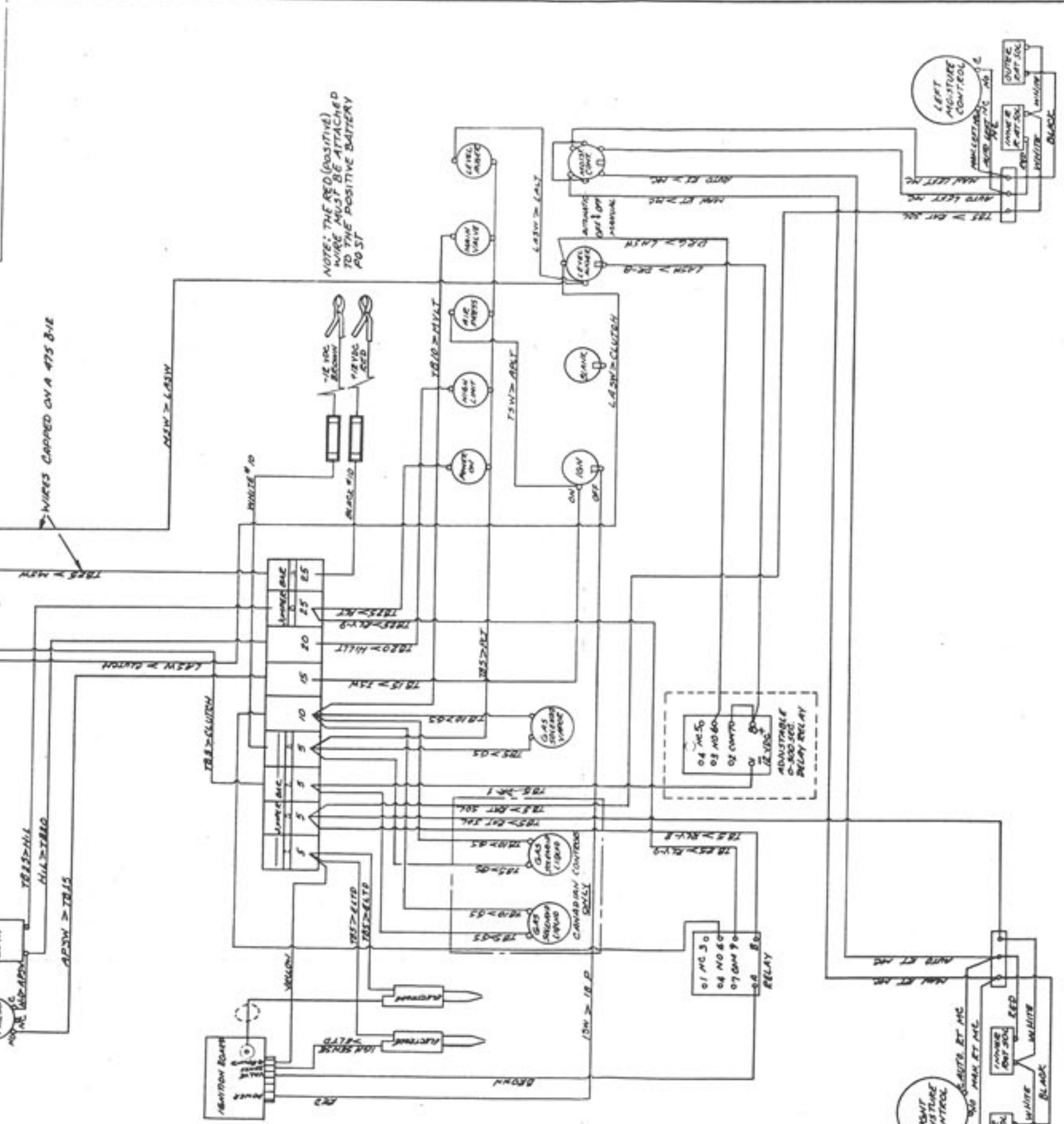
PARTS LIST

PART NO	QTY	DESCRIPTION
121649	2	AIR PRESSURE SW. 10N
121701B	2	ARM LIMIT SWITCH
126795	2	IGNITION CONTROL BOARD
1217002	2	GRASS SOLENOID 3 1/4 115V
1216924	2	TERMINAL BLOCK 115V
1216924	2	ELECTRICAL
1217000	2	RESET BUTTON
1218151	2	GRASS SOLENOID 1 1/4 115V
1216801	2	GRASS SOLENOID 3/4 115V
1216805	2	DIFFERENTIAL AIR SW. CANADIAN
1216804	2	STOP BUTTON (CA 3)
1216804	2	STARTER BUTTON (CA 2)
1216805	2	LIGHT
1216805	2	(1) TERMINAL SWITCH
1216805	2	115V 30 AMP CIRCUIT BREAKER 200V
1216805	2	20 HP MOTOR 3P
1216805	2	5 HP MOTOR 3P
1216805	2	50 HP MOTOR

*10 HP USED 1/813
 50 HP USED 1/175

ELECTRICAL ABV NOTATIONS

ADSW	AIR SW	AUTOMATIC SWITCH	
BLK	BLACK	12 V	
CLCH	LEVEL AUGER CLUTCH		
DE	DELAY RELAY		
ELTD	ELECTRODE		
FB	FUSE BLOCK		
GR	GROUND		
IS	IGNITION SWITCH		
IL	IGNITION LIGHT		
ISW	IGNITION SWITCH		
LA	LEVEL AUGER		
LSW	LEVEL SWITCH		
LT	LIGHT		
MAL	MANUAL		
MC	MOISTURE CONTROL		
MSW	MERCURY SWITCH		
MV	MAIN VALVE		
RF	RELAY		
RFM	RELAY		
RY	RELAY		
SW	SWITCH		
TR	TERMINAL		
W	WHITE		
Y	YELLOW		
BK	BLACK		



PARTS LIST

PART NO	NO	DESCRIPTION
1206800	1	MERCURY SWITCH
1216809	1	AIR PRESSURE SWITCH
1217018	1	HIGH LIMIT SWITCH
1216962	1	IGNITION CONTROL BOARD
1217025	1	GAS SOLENOID 3/4" 1" 1/2"
1218102	1	TERM BLOCK ASSEMBLY
1216926	2	ELECTRODE
1207000	1	GAS SOL 1/2" 1/2" 1/2" 3/4"
1206852	2	FUSE 15 AMP NON-15
1206851	2	FUSE HOLDER
1216851	2	MOISTURE CONTROL
1216853	4	PATCHET SOLENOID
1206826	5	LIGHT
1216815	2	(2) TERMINAL SWITCH
1216817	1	(6) TERMINAL SWITCH
1206920	1	DELAY RELAY 0-300 SEC
1216990	1	LEVEL AUGER CLUTCH WEID
1216990	1	RELAY 12V 200V
1216990	2	GAS SOL 1/2" 1/2" 1/2" 3/4"
1216887	1	DIFFERENTIAL AIR SW GARDEN

DATE	NO	REV	BY	CHKD	APPV
1-27-68	1				
1-28-68	1				
1-29-68	1				
1-30-68	1				
2-1-68	1				
2-2-68	1				
2-3-68	1				
2-4-68	1				
2-5-68	1				
2-6-68	1				
2-7-68	1				
2-8-68	1				
2-9-68	1				
2-10-68	1				
2-11-68	1				
2-12-68	1				
2-13-68	1				
2-14-68	1				
2-15-68	1				
2-16-68	1				
2-17-68	1				
2-18-68	1				
2-19-68	1				
2-20-68	1				
2-21-68	1				
2-22-68	1				
2-23-68	1				
2-24-68	1				
2-25-68	1				
2-26-68	1				
2-27-68	1				
2-28-68	1				
2-29-68	1				
2-30-68	1				
2-31-68	1				
2-32-68	1				
2-33-68	1				
2-34-68	1				
2-35-68	1				
2-36-68	1				
2-37-68	1				
2-38-68	1				
2-39-68	1				
2-40-68	1				
2-41-68	1				
2-42-68	1				
2-43-68	1				
2-44-68	1				
2-45-68	1				
2-46-68	1				
2-47-68	1				
2-48-68	1				
2-49-68	1				
2-50-68	1				
2-51-68	1				
2-52-68	1				
2-53-68	1				
2-54-68	1				
2-55-68	1				
2-56-68	1				
2-57-68	1				
2-58-68	1				
2-59-68	1				
2-60-68	1				
2-61-68	1				
2-62-68	1				
2-63-68	1				
2-64-68	1				
2-65-68	1				
2-66-68	1				
2-67-68	1				
2-68-68	1				
2-69-68	1				
2-70-68	1				
2-71-68	1				
2-72-68	1				
2-73-68	1				
2-74-68	1				
2-75-68	1				
2-76-68	1				
2-77-68	1				
2-78-68	1				
2-79-68	1				
2-80-68	1				
2-81-68	1				
2-82-68	1				
2-83-68	1				
2-84-68	1				
2-85-68	1				
2-86-68	1				
2-87-68	1				
2-88-68	1				
2-89-68	1				
2-90-68	1				
2-91-68	1				
2-92-68	1				
2-93-68	1				
2-94-68	1				
2-95-68	1				
2-96-68	1				
2-97-68	1				
2-98-68	1				
2-99-68	1				
2-100-68	1				

DRAWN BY: [Blank]
 CHECKED BY: [Blank]
 DATE: [Blank]
 SCALE: [Blank]
 PROJECT NO: [Blank]
 DRAWING NO: [Blank]
 REVISIONS: [Blank]

