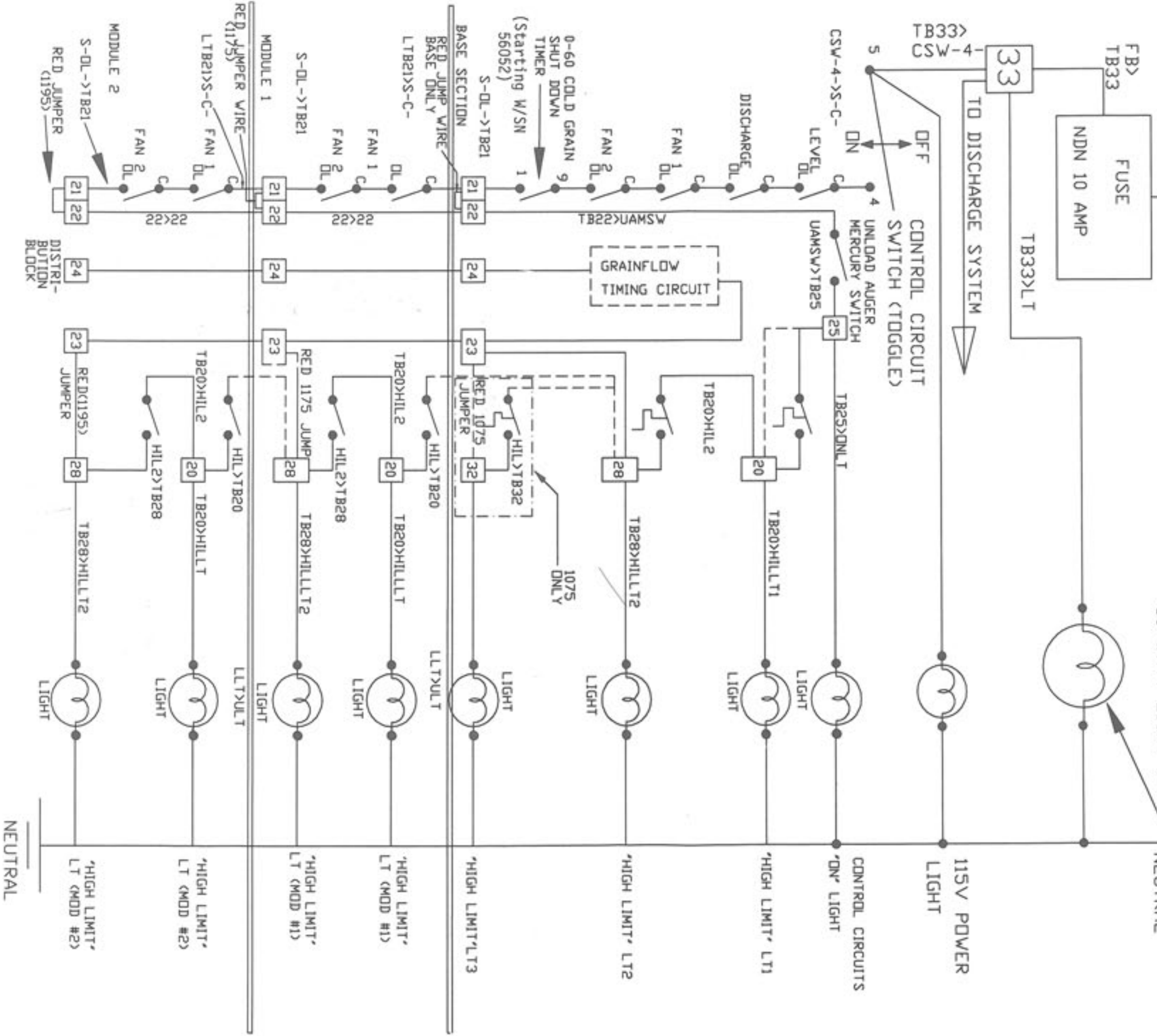
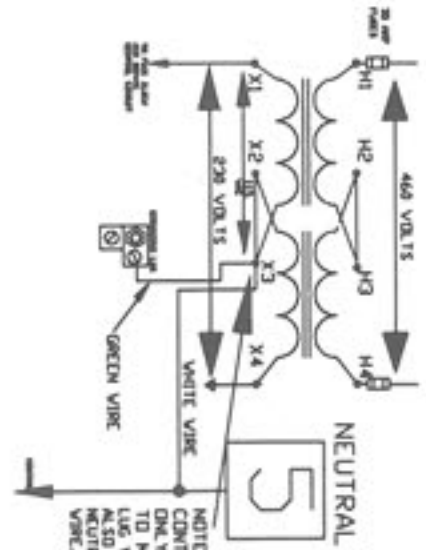


FLOWCHART P.1.dwg

<h1 style="margin: 0;">FLOW CHART</h1>		MC 70 & 75 SERIES	START S/N 55467
P/N WD120		REVISED 3/3/98	P.1

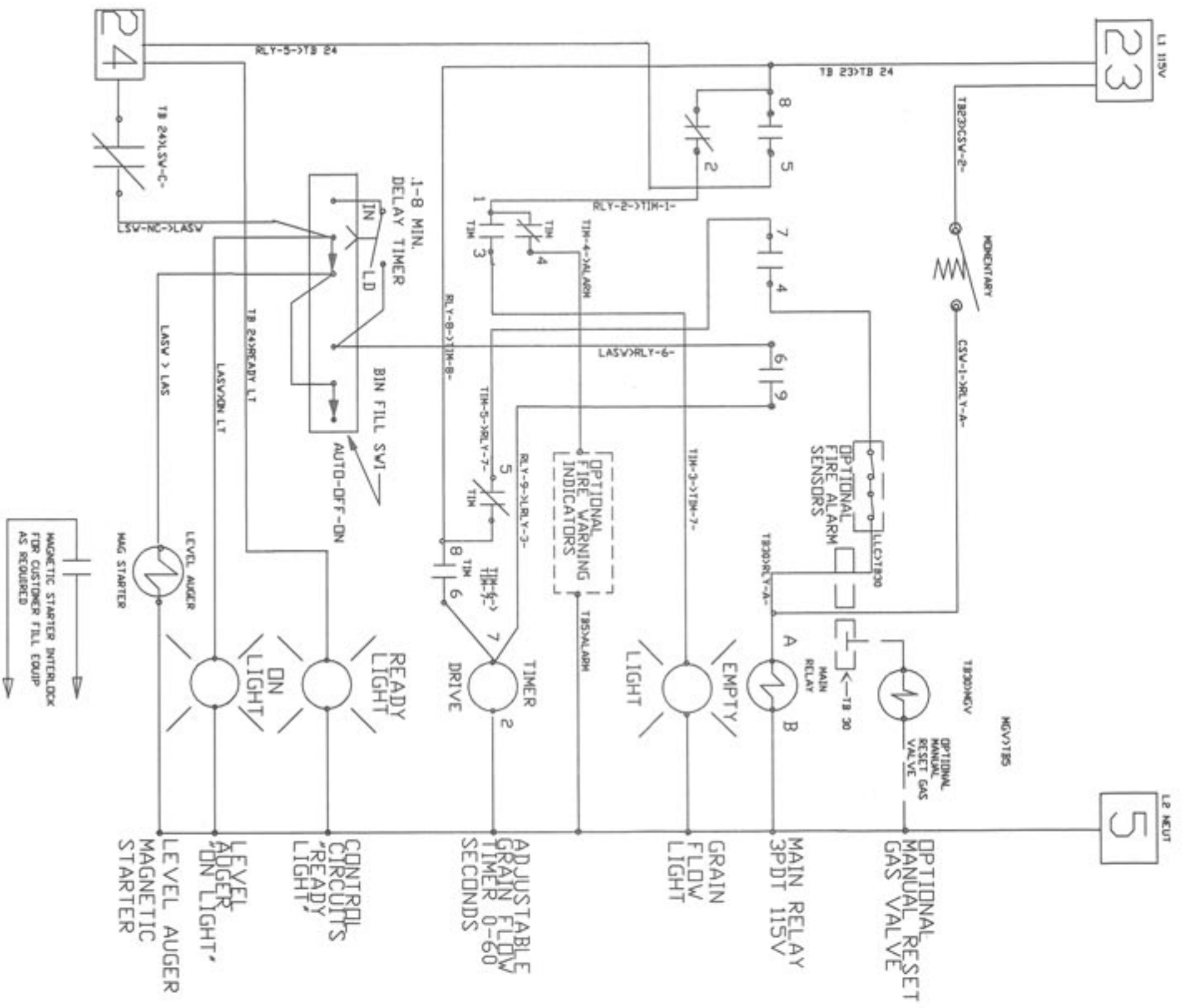


MC977075P2

PRIMARY SAFETY CIRCUIT

70 & 75 SERIES

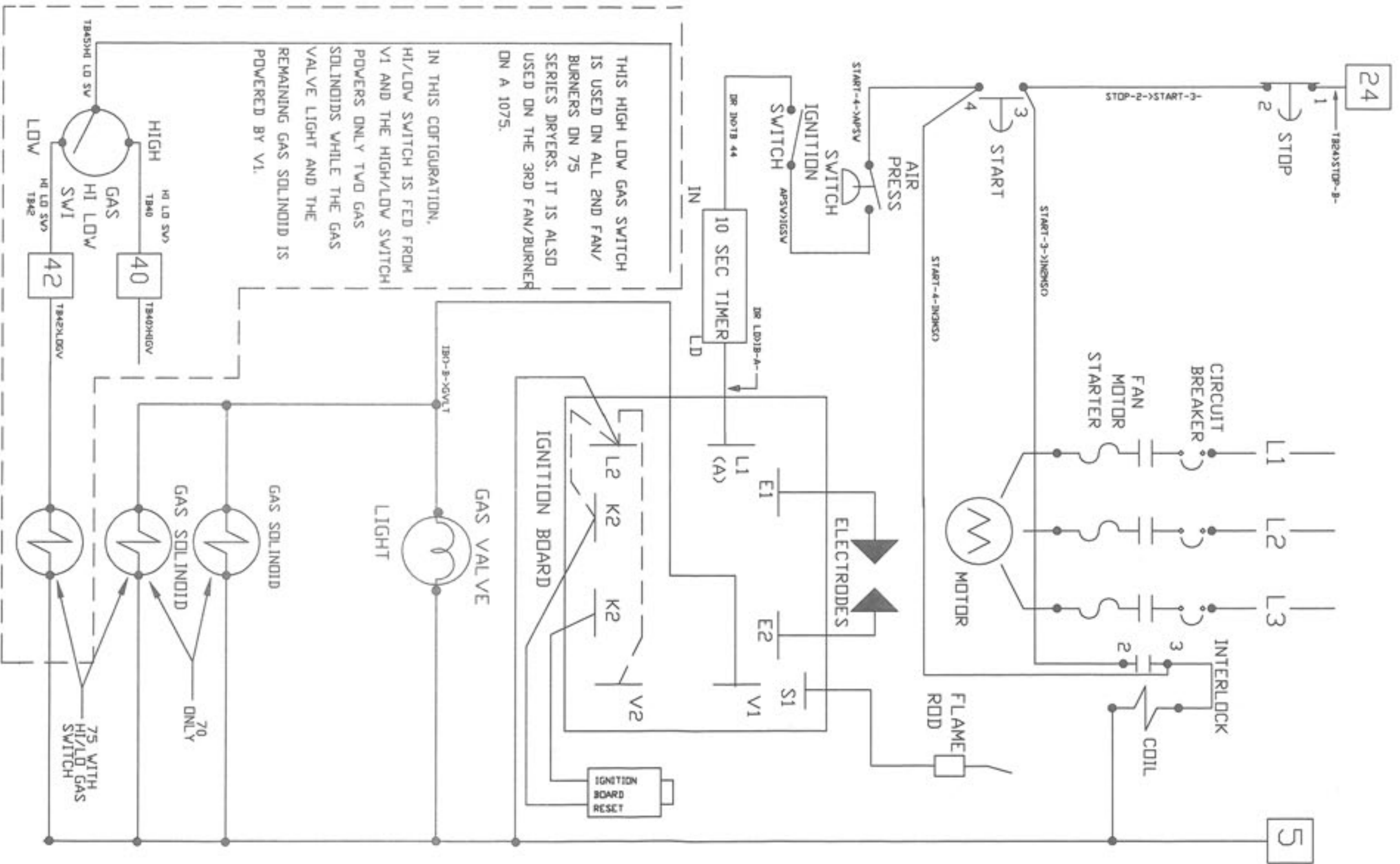
MC 70 & 75 SERIES DRYERS	START S/N 55467	P. 2
PN WD115	2/25/97 REV.3/3/98	



GRAIN FLOW TIMING & SYSTEM
LOCKOUT CIRCUITS

MC 70 & 75 SERIES	START S/N 55467	P. 3
P/N WD116	2/25/97	

MAGNETIC STARTER INTERLOCK
FOR CUSTOMER FILL EQUIP
AS REQUIRED

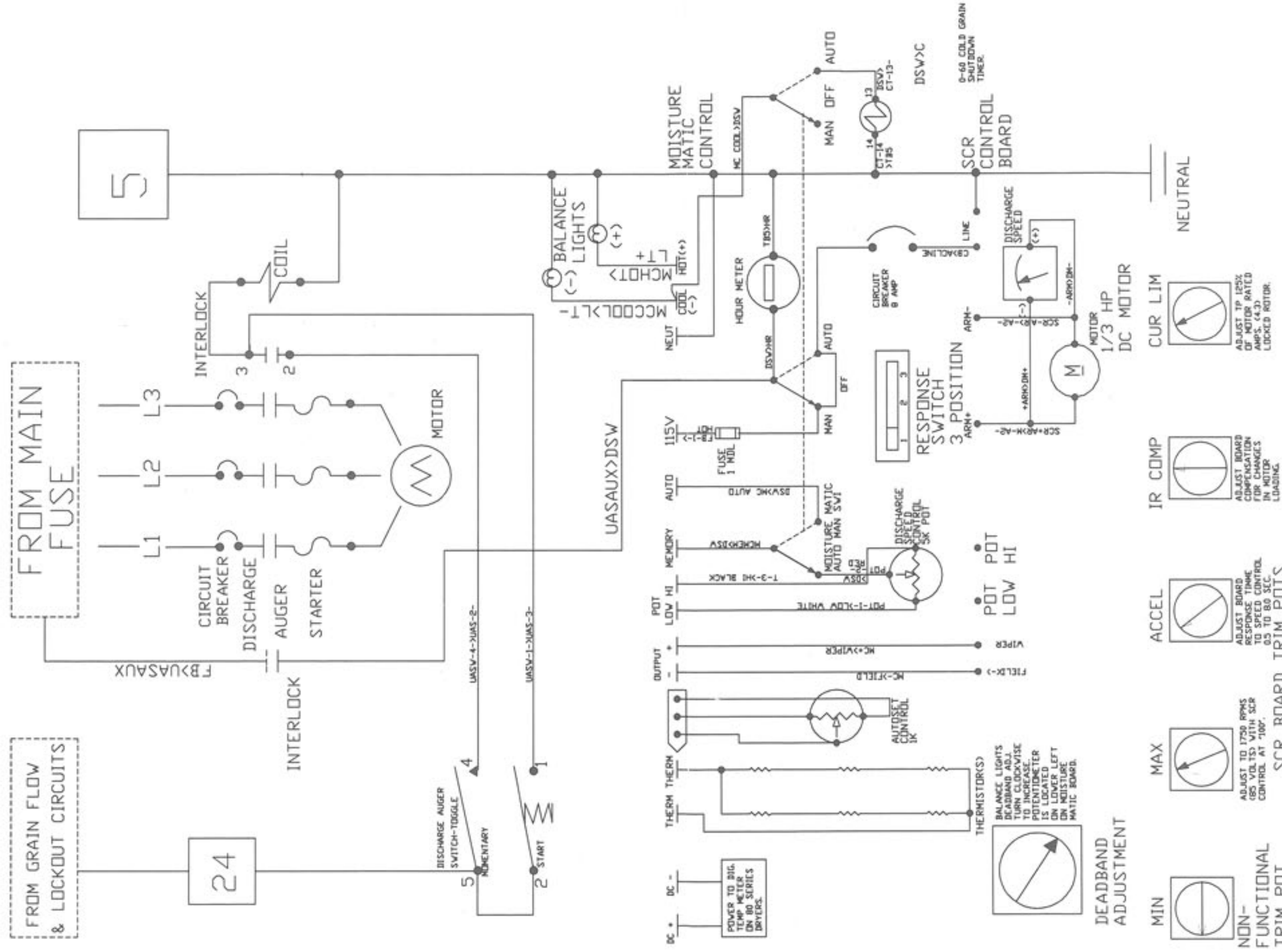


THIS HIGH LOW GAS SWITCH IS USED ON ALL 2ND FAN/ BURNERS ON 75 SERIES DRYERS. IT IS ALSO USED ON THE 3RD FAN/BURNER ON A 1075.

IN THIS CONFIGURATION, HI/LOW SWITCH IS FED FROM V1 AND THE HIGH/LOW SWITCH POWERS ONLY TWO GAS SOLINOIDS WHILE THE GAS VALVE LIGHT AND THE REMAINING GAS SOLINOID IS POWERED BY V1.

70 & 75 SERIES DRYER BASE & 1075 3RD FAN/BURNER

MC 70 & 75 SERIES	START S/N 55467
P/N WD117	P.4

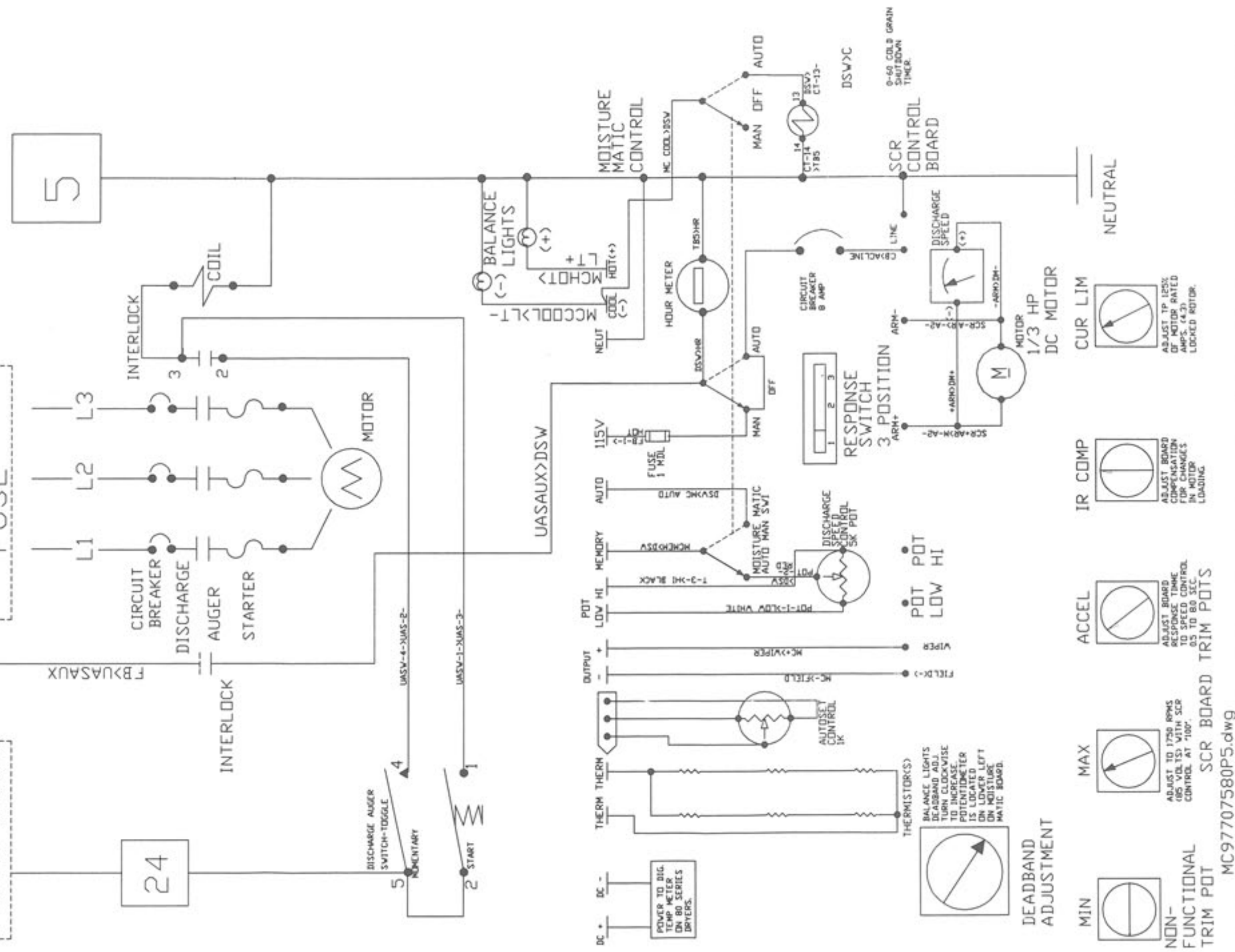


MC97707580P5.dwg

MC MOISTURE CONTROL DISCHARGE SYSTEM		START S/N	70,75,&80 SERIES
		55467	DRYERS
P/N	REVISED	3/3/98	P.5

FROM GRAIN FLOW & LOCKOUT CIRCUITS

FROM MAIN FUSE



MC MOISTURE CONTROL DISCHARGE SYSTEM		START S/N	55052
		REVISION	3/3/98 P.5
70,75,&80 SERIES DRYERS		P/N	

MC97707580P5.dwg

NON-FUNCTIONAL TRIM POT

ACCEL

IR COMP

CUR LIM



NEUTRAL



DEADBAND ADJUSTMENT

THERM THERM (S)

FILE (-)

POT LOW HI

POT POT

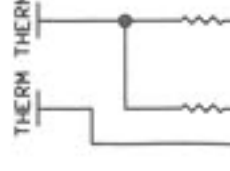
DISCHARGE SPEED CONTROL 5K POT

RESPONSE SWITCH 3 POSITION

SCR CONTROL BOARD

MOISTURE MATIC CONTROL

POWER TO DIG. TEMP METER ON 80 SERIES DRYERS.



OUTPUT +

POT LOW HI MEMORY AUTO

FUSE 1 MΩL

HOUR METER

BALANCE LIGHTS

MOISTURE MATIC CONTROL

MAN OFF AUTO

ADJUST TO 1750 RPMS (85 VOLTS) WITH SCR CONTROL AT 100%.

ADJUST BOARD RESPONSE TIME TO SPEED CONTROL 0.5 TO 80 SEC.

ADJUST TP 125X OF MOTOR RATED AMPS (A.7) IN MOTOR LOADING.

ADJUST TP 125X OF MOTOR RATED AMPS (A.7) IN MOTOR LOADING.

BALANCE LIGHTS DEADBAND ADJ. TURN CLOCKWISE TO INCREASE POTENTIOMETER IS LOCATED ON LOWER LEFT ON MOISTURE MATIC BOARD.

FILE (-)

POT LOW HI

POT POT

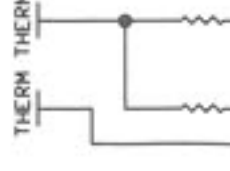
DISCHARGE SPEED CONTROL 5K POT

RESPONSE SWITCH 3 POSITION

SCR CONTROL BOARD

MOISTURE MATIC CONTROL

POWER TO DIG. TEMP METER ON 80 SERIES DRYERS.



OUTPUT +

POT LOW HI MEMORY AUTO

FUSE 1 MΩL

HOUR METER

BALANCE LIGHTS

MOISTURE MATIC CONTROL

MAN OFF AUTO