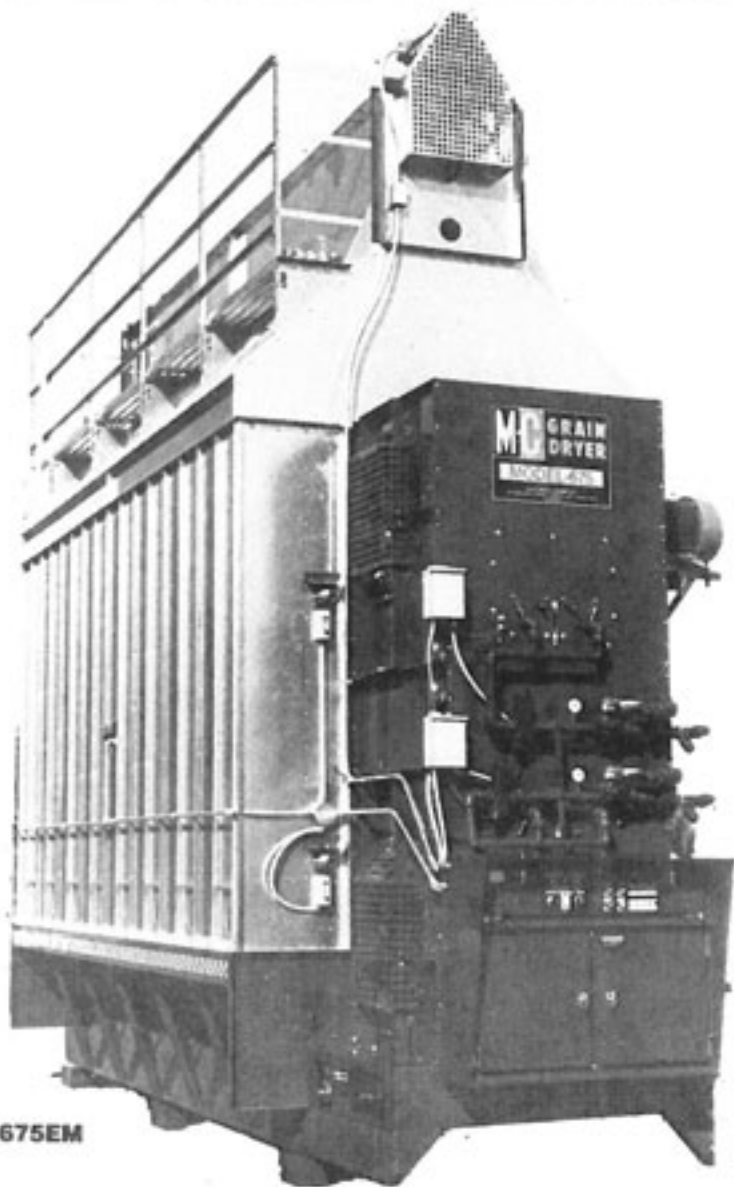




Model 675 thru 1195
(EM, and B-115)
**Continuous Flow
Grain Dryers**
(Starting w/Serial No. 54503)



Model 675EM

PARTS CATALOG

Form No. D318, April 1995

Mathews Company / 500 Industrial Ave., Crystal Lake, IL 60012, U.S.A.
815/459-2210 FAX 815/459-5889

C O N T E N T S

| | PAGE |
|--|---------|
| INTRODUCTION | |
| Parts Ordering Instructions | 1 |
| Model and Serial Number Location | 1 |
| Capscrew Grade Identification | 1 |
| PARTS | |
| Air Pressure Switch | 57 |
| Augers | |
| Level | 53 |
| Unload | 2 |
| Belts | |
| Fan Drive - 675 B115 and 975 B115 | 30 |
| Irrigation Drive | 34 |
| Level Auger | 50 |
| PTO Front Drive | 34 |
| PTO Side Drive | 35 |
| Unload Auger - SCR Drive | 20 |
| Bin Level Indicator | 57 |
| Burner | 22 |
| Cabinets | |
| Motor Control - Base Sections | 44 & 45 |
| Motor Control - Upper Sections | 46 |
| Motor Control - 675 B115 and 975 B115 | 48 |
| Transformer | 44 |
| Circuit Breakers - Level Auger, Unload Auger and Fan Motor | 58 & 59 |
| Coils | |
| Magnetic Starter - 115V | 62 |
| 1½" Solenoid Valve | 38 |
| ½" Solenoid Valve | 38 |
| Control Panel Lights, Switches and Controls | 43 |
| Decal Kit - All Models | 67 |
| Electrical Components in 115V Control Cabinet | 42 |
| Electrode | 22 |
| End Panels | |
| Bottom Module | 14 |
| 8' Module | 16 |
| 5' Module | 18 |
| Fans and Fan Drive | |
| 675 B115 and 975 B115 | 30 |
| 675 thru 1195EM | 24 |
| Fan Housing | 26 |
| Fire Alarm w/Safety Shut-Off Valve (Optional) | 40 |
| Flame Sensing Probe | 22 |
| Floor Panels | |
| Bottom Module | 14 |
| 8' Module | 16 |

| | |
|--|---------|
| Gearbox - PTO Front Drive and Irrigation Drive | 33 |
| Guards | |
| Belt - 675 B115 and 975 B115. | 29 |
| Fan - 675 B115 and 975 B115. | 27 |
| Fan - 675 thru 1195EM. | 27 |
| Level Auger Motor | 50 |
| PTO Side Drive and Front Drive | 29 |
| SCR Drive. | 20 |
| High Limit Switch | 57 |
| Hopper | 52 |
| Ignition Board & Box | 41 |
| Ignition Wires | 22 |
| Irrigation Drive Assembly | 34 |
| Interlocks - For Magnetic Starters | 60 |
| Kits - Field Installed | 67 |
| Ladders - Rear. | 56 |
| Ladders - Service Platform | 64 |
| Level Auger | |
| Belts | 50 |
| Motor. | 58 & 59 |
| Motor Mount. | 50 |
| Switch Assembly | 57 |
| Lights, Control Panel | 43 |
| LP Gas Liquid Lines | 37 |
| Magnetic Starters | 58 & 59 |
| Manifolds. | 39 |
| Mercury Switch | 4 |
| Metering Rolls. | 2 |
| Mixing Chamber | 13 |
| Modulating Valves | 39 |
| Modulating Valve Power Elements | 38 |
| Moisture Control | |
| Potentiometer | 43 |
| Moisture Control. | 42 |
| Thermistor Sensor | 57 |
| Motors | 58 & 59 |
| Peak | 49 |
| Portabilities | 66 |
| Pressure Gauge (Gas) | 39 |
| Pressure Regulator (LP Gas) | 39 |
| Pressure Regulator (LP Gas) Repair Kit | 38 |
| PTO Drive Guards - 675 B115 and 975 B115 | 29 |
| PTO Front Drive Assembly. | 34 |
| PTO Shaft - 675 B115 and 975 B115 | |
| 540 RPM - Side Drive. | 31 |
| 1000 RPM - Side Drive | 32 |
| 1000 RPM - Front Drive. | 32 |
| PTO Side Drive Assembly | 35 |
| Modulating Valve Repair Kits | 38 |

| | |
|---|---------|
| Relays | .42 |
| Relief Valve - LP Gas | .36 |
| SCR Drive Unload System | |
| Control Board | .42 |
| Motor and Gearbox | .20 |
| Potentiometer | .43 |
| Screens | |
| Base Screens and Supports | 7 |
| Bottom Module Screens | 8 |
| 8' Middle and Top Module Screens | .11 |
| 5' Top Module Screens | .12 |
| Service Platforms | |
| Model 775 and 1075 | .62 |
| Model 875, 895, 1175, and 1195 | .63 |
| Shear Bolts - PTO Side Drive | .35 |
| Solenoid Valves | |
| 1¼" - LP Gas and Natural Gas | .39 |
| ½" - LP Gas | .39 |
| Solenoid Valve Repair Kit | .38 |
| Standpipes - LP Gas Liquid Line | .36 |
| Switches, Control Panel | .43 |
| Tank Valve - LP Gas | .36 |
| Terminal Tracks | .42 |
| Thermistor | .57 |
| Thermometer - 15' Capillary | .28 |
| Timers | |
| 10 Second - Ignition | .43 |
| .2 to 8 Minute Adjustable - Level Auger | .43 |
| 60 Minute Adjustable - Low Grain Level | .42 |
| Transformers | .41 |
| Unload Auger | |
| Auger | 2 |
| Belts - SCR Drive | .20 |
| Extension Kit (2 ft.) | .65 |
| Motor | 58 & 59 |
| Pans | 6 |
| Vaporizer Coil - LP Gas | .22 |
| Vaporizer to Manifold Pipe - LP Gas | .37 |
| Walkway | .54 |
| Walkway Front Access | .55 |

INTRODUCTION

Parts Ordering Instructions

1. Order parts from your local M-C Dealer or distributor.
2. Always furnish the Grain Dryer model and serial number. This information is stamped on the serial number plate.
3. When ordering parts be sure to furnish the part number, description and quantity required.

NOTE: Attaching hardware is listed, but not included with, the main part. It must be ordered separately.

4. Inspect all shipments upon receipt. If any packages and/or boxes are missing, or parts are damaged, file a claim with the carrier immediately. Failure to do so may void a claim. Check the shipment against the packing list carefully. Report any shortages to the shipper immediately.
5. Do not return any parts to the Mathews Company without a "Return Goods Authorization" from the factory. All return parts shipments must be shipped prepaid (COD shipments will not be accepted). Shipments must also include the following:
 - A. A letter of explanation including the "Return Goods Authorization Number," your name and address.
 - B. A list of all parts being returned. List must include part numbers, description, quantity, and original invoice number.

Model and Serial Number Location

The model and serial number of your Grain Dryer are stamped on a plate located on the left front end

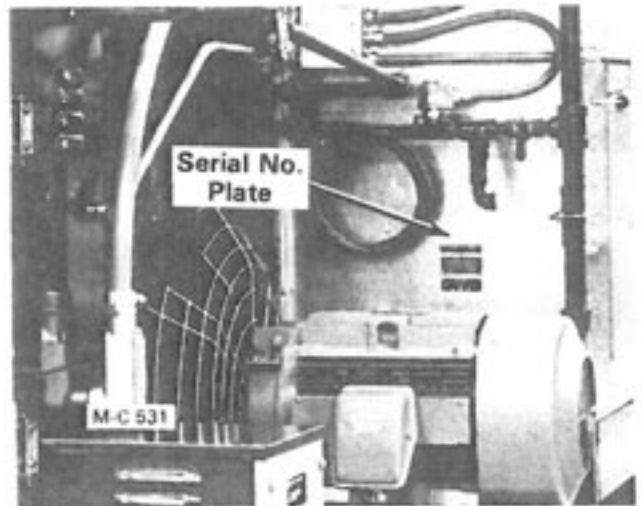


Figure 1

| M-C FARM EQUIPMENT | |
|--------------------|------------|
| MODEL NO. | SERIAL NO. |
| | |

Figure 2

panel, see Figure 1. On late production dryers, the plate is on the dryer front base panel just below the location shown in Figure 1. Record the model and serial number in the blank spaces in Figure 2.

Capscrew Grade Identification

There are four grades of hex-head capscrews. Grade 1 and 2 are common capscrews, grade 5 and 8 are used when greater strength is required. Each grade can be identified by the marking on the head of the capscrew, see chart below.

When replacing capscrews, be sure to use the correct size and grade. If a specific grade is not shown as part of the description, the capscrew is a grade 1 or 2.

CAPSCREW GRADE IDENTIFICATION CHART

| S.A.E. Grade | Description | Capscrew Head Marking* |
|--------------|---|------------------------|
| 1 | WILL HAVE A PLAIN HEAD - NO RADIAL LINES | |
| 2 | Low or Medium Carbon Steel Not Heat Treated | |
| 5 | WILL HAVE 3 RADIAL LINES Quenched and Tempered Medium Carbon Steel | |
| 8 | WILL HAVE 6 RADIAL LINES Quenched and Tempered Special Carbon or Alloy Steel | |

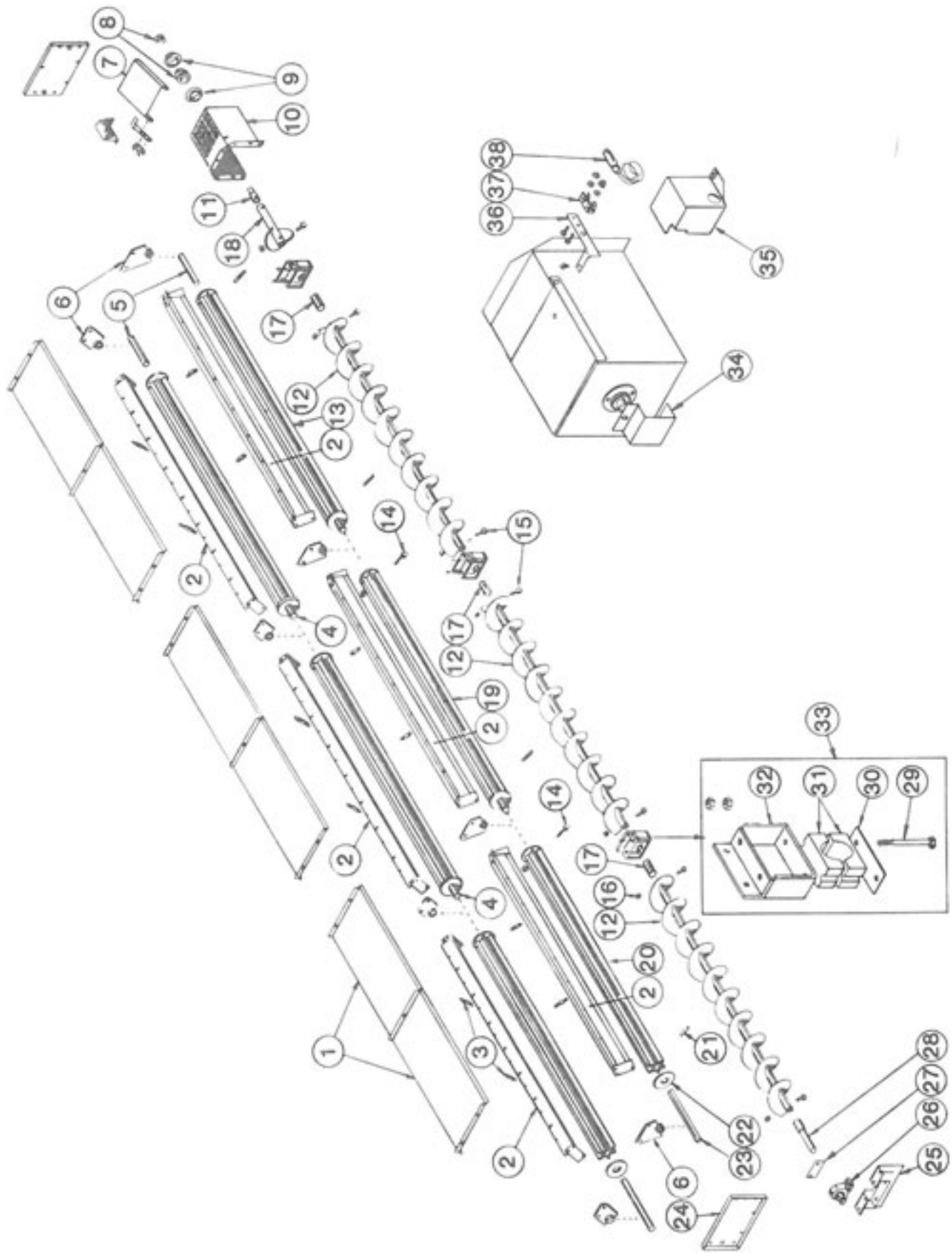
*The center marking identifies the capscrew manufacturer.

Metering Rolls and Unload Auger

| Ref. Part No. | Qty. (16') (24') | Description | Ref. Part No. | Qty. (16') (24') | Description |
|---------------|------------------|---|---------------|------------------|---|
| 1 128 2890 | 4 | Unload Auger Cover | 12 128 0244 | 2 | Unload Auger Section (10") |
| 001 8111 | 8 | 5/16-18 Clip Nut | 13 121 1082 | 2 | Rear Metering Roll Assembly (incl. shafts) |
| 001 8202 | 12 | 5/16-18 x 3/4" Hex Washer Head Bolt | 14 000 8114 | 2 | 5/16-18 x 2 1/2" Capscrew |
| 000 8173 | 12 | 5/16" Flatwasher | 000 8222 | 2 | 5/16" Lockwasher |
| 000 8169 | 4 | 5/16-18 Flanged Locknut | 000 8159 | 2 | 5/16-18 Hex Nut |
| 2 128 0225 | 4 | Inner Perf. Mt. Weld | 15 000 8229 | 8 | 3/8-16 X 2 3/4" Capscrew - Grd.5 |
| 001 8202 | 18 | 5/16-18 x 3/4" Hex Washer Head Bolt | 16 000 8205 | 8 | Top Lock Flanged Nut |
| 000 8169 | 18 | 5/16-18 Flanged Locknut | 17 128 5618 | 2 | Unload Auger Link |
| 3 128 8958 | 8 | Support Rod (3/8" x 4 3/4") | 18 128 0309 | 1 | Standard Auger Weld |
| 000 8173 | 8 | 5/16" Flatwasher | 19 121 1083 | - | Center Metering Roll Assembly (incl. shafts) |
| 000 8168 | 24 | 3/8-16 Flanged Locknut | 20 128 1254 | 2 | Front Metering Roll Assembly (incl. shafts) |
| 4 121 5043 | 2 | Rear & Center Metering Roll Shaft - 1 1/4" x 7" (press fit in metering roll) | 21 000 8259 | 3 | Roll Pin 5/16" x 1 3/4" |
| 5 121 5042 | 2 | Rear Metering Roll Stub Shaft - 1 1/4" x 5" (press fit in metering roll) | 22 121 4438 | AR | Metering Roll Washer - 11 Gauge |
| 6 128 1063 | 6 | Metering Roll Brg. w/Bronze Bushing | 128 4970 | AR | Metering Roll Washer - 16 Gauge |
| 001 8202 | 12 | 5/16-18 x 3/4" Hex Washer Head Bolt | 23 128 5042 | 2 | Front Metering Roll Shaft - 1 1/4" x 13 3/4" (press fit in metering roll) |
| 000 8169 | 12 | 5/16-18 Flanged Locknut | 24 128 2894 | 2 | Base Panel Access Door (17 1/2" x 10 1/2") |
| 7 128 4712 | 1 | Over Load Door | 001 8284 | 14 | 5/16-12 x 1/2" Self Tapping Screw |
| 001 8210 | 2 | 3/8-16 x 3/4" Hex Washer Head Bolt | 128 0247 | 1 | Unload Auger Front Plate |
| 000 8205 | 2 | 3/8-16 Top Lock Flanged Nut | 001 8210 | 4 | 3/8-16 x 3/4" Hex Washer Head Bolt |
| 8 001 6003 | 1 | 1 1/4" Bearing w/Lock Collar | 000 8168 | 4 | 3/8-16 Flanged Locknut |
| 9 001 6004 | 2 | 1 1/4" Bearing Flangette | | | |
| 001 8209 | 3 | 3/8-16 x 1" Hex Washer Head Bolt | | | |
| 000 8168 | 3 | 3/8-16 Flanged Locknut | | | |
| 10 128 0328 | 1 | Unload Auger Discharge Round (Front Unload - See Note 1) | | | |
| 001 8210 | 6 | 3/8-16 x 3/4" Hex Washer Head Bolt | | | |
| 000 8205 | 6 | 3/8-16 Top Lock Flanged Nut | | | |
| 11 124 5611 | 1 | Unload Auger Output Shaft | | | |

NOTE 1: Dryers w/Front Unload - Use Kit #127 9119.

Metering Rolls and Unload Auger

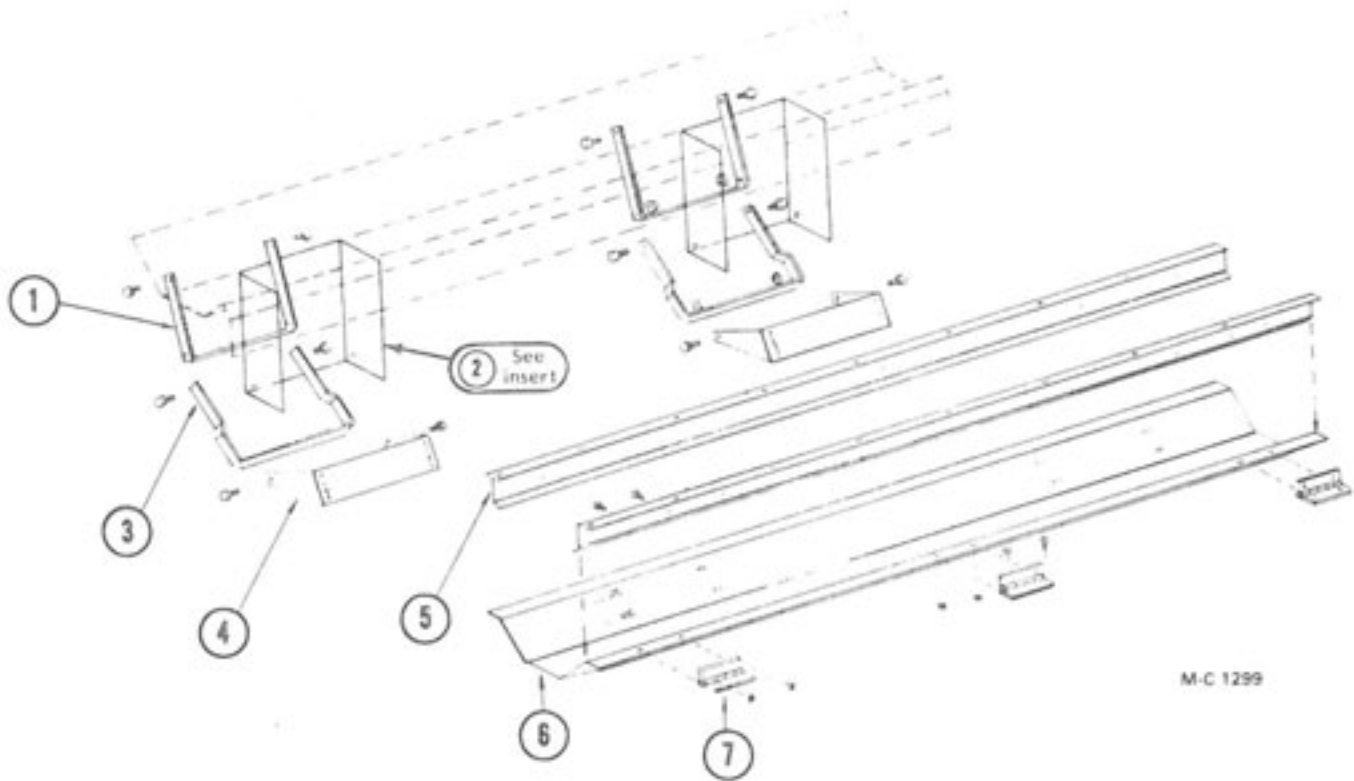


Metering Rolls and Unload Auger

| Ref. Part No. (16') | Qty. (24') | Qty. (24') | Description |
|---------------------|------------|------------|---|
| 26 | 001 6011 | 1 | 1-7/16" Bore Billow Block Bearing |
| | 001 8299 | 2 | 1/2-13 x 1 1/2" Capscrew-Grd. 8 w/Nylock |
| | 001 8257 | 2 | 1/2" SAE Flatwasher |
| | 000 8163 | 2 | 1/2-13 Hex Nut |
| 27 | 128 3008 | 1 | Front Seal Plate |
| | 000 8184 | 4 | 8-18 x 1/2" Sheet Metal Screw |
| 28 | 124 5610 | 1 | Unload Auger Input Shaft |
| 29 | 001 8168 | 4 | 1/2-13 x 4 1/2" Capscrew - Grd. 5 |
| | 000 8180 | 4 | 1/2" Lockwasher |
| | 000 8163 | 8 | 1/2-13 Hex Nut |
| 30 | 128 0285 | 2 | Unload Auger Support Weld |
| 31 | 128 6020 | 2 | Wood Bearing 1-5/16" (2 Halves) |
| 32 | 128 0287 | 2 | Unload Auger Bearing Bracket |
| | 000 8137 | 4 | 1/2-13 x 1 1/2" Capscrew - Grd. 5 |
| | 000 8180 | 4 | 1/2" Lockwasher |
| | 000 8163 | 4 | 1/2-13 Hex Nut |
| 33 | 122 1007 | 2 | Unload Auger Bearing Kit (Incl. Ref. 30 thru 33 in quantities required for one bearing) |
| 34 | 128 3011 | 1 | Stub Shaft Guard |
| 35 | 128 4896 | 1 | Shut Off Switch Cover |
| | 001 8284 | 2 | 5/16-12 x 1/2" Self-Tapping Screw |
| 36 | 128 2937 | 1 | Switch Mount |
| 37 | 120 6801 | 1 | Switch Mount Clip |
| | 000 8282 | 2 | 6-32 x 1/4" Machine Screw |
| | 000 8185 | 2 | 6-32 Flanged Locknut |
| 38 | 120 6800 | 1 | Shut Off Switch |

Mecury

Unload Auger Pans

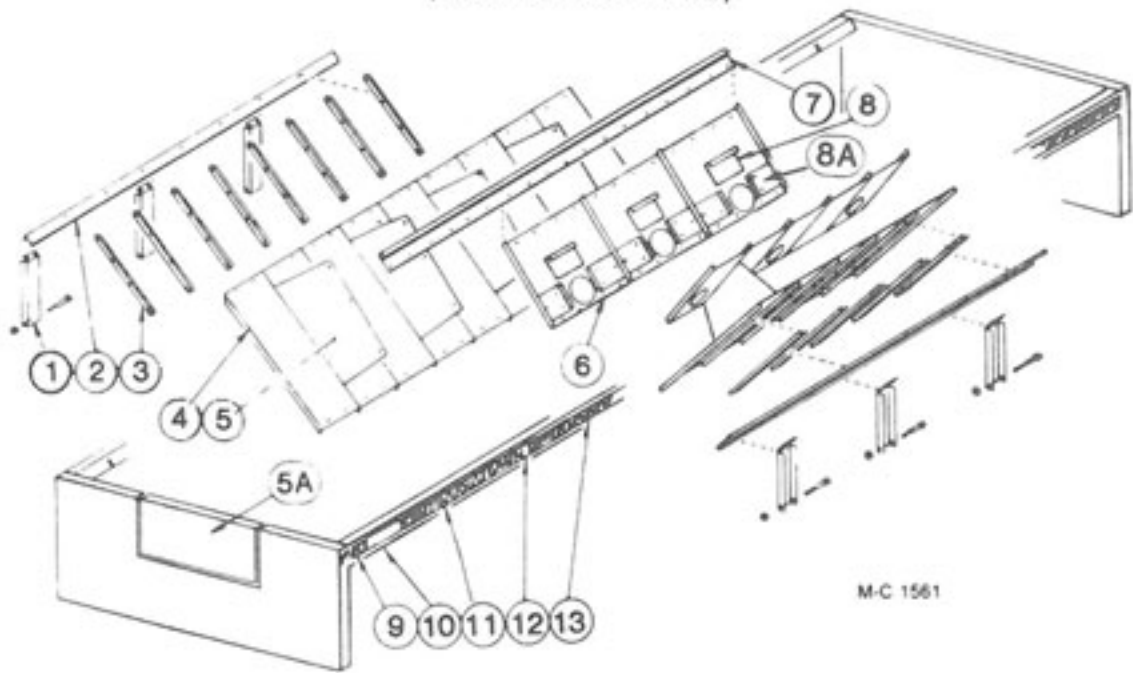


M-C 1299

2 WARNING DECAL MOUNTS ON SIDE OF BRACKET

| Ref. Part No. | Qty. (16') | Qty. (24') | Description |
|---------------|------------|------------|---------------------------|
| 1 128 2029 | 4 | 6 | Auger Dump Arm - Upper |
| 2 128 8355 | 4 | 6 | Warning Decal (not shown) |
| 3 128 2030 | 4 | 6 | Auger Dump Arm - Lower |
| 4 128 2751 | 4 | 6 | Bottom Link Pivot Base |
| 5 127 2673 | 4 | 6 | Pan Hinge Angle |
| 6 128 2752 | 2 | 3 | Auger Dump Pan |
| 7 128 8957 | 6 | 9 | Hinge |

Base Screens and Supports (Model 675 thru 1195)

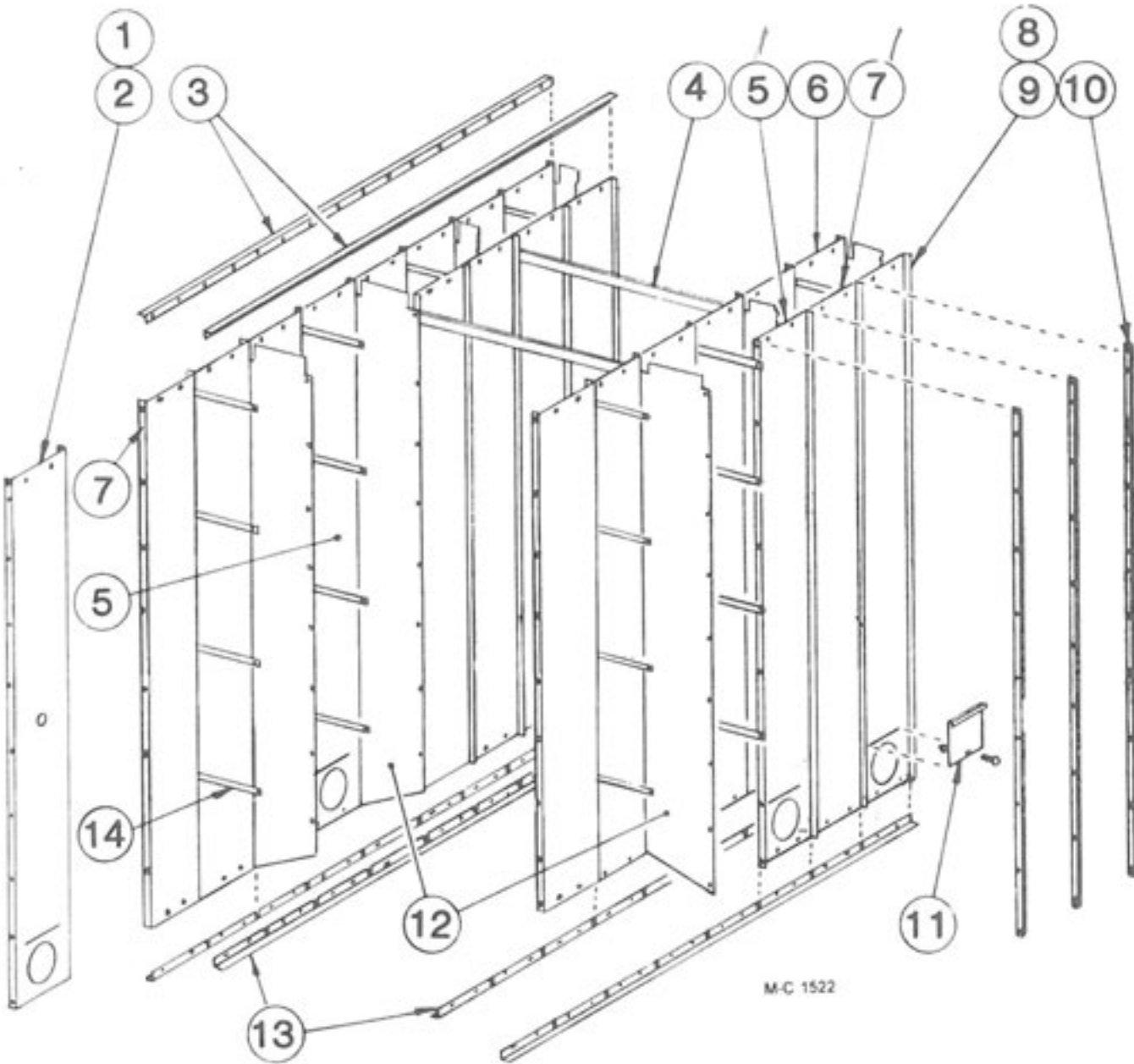


M-C 1561

| Ref. Part No. | Qty. (16') | Qty. (24') | Description | Ref. Part No. | Qty. (16') | Qty. (24') | Description |
|---|------------|------------|--|---------------|------------|-------------|--------------------------------------|
| NOTE: Ref. 1, 2 & 3 for 1195 only. | | | | | | | |
| 1 | 124 4211 | 10 | 16 Channel Support | 6 | --- | --- | Lower Inner Slope Screen w/Clean-Out |
| | 001 8275 | - | - 3/8-16 x 4" Hex Head Capscrew - Grd. 5 | | 124 2000 | 16 | 24 Galvanized (Std.) 24"wide |
| | 001 8149 | - | - 3/8-16 Two Way Locknut | | | 16 | 24 Small Seed (Galv.) |
| 2 | 124 4212 | 4 | 6 Screen Support Channel | 7 | 128 2739 | 4 | 6 Lower Screen Mt. Angle |
| 3 | 128 2664 | 34 | 50 Screen Support Angle | 8 | 128 3003 | 16 | 24 Slope Door |
| 4 | --- | --- | Lower Outer Screen | 8A | 124 2866 | 16 | 24 Door Retainer |
| | 127 2945 | 32 | 48 Small Seed (Galv.) | 9 | 128 8300 | 2 | 2 M-C Decal - 5" x 4-9/16" |
| | 124 2003 | 32 | 48 Canola (Galv.) | 10 | --- | --- | Base Decal |
| 5 | 128 2855 | 6 | 10 Lower Screen Stiffener | | 128 8302 | 2 | - "675" |
| 5A | 128 4570 | 1 | 1 Base Filler Panel (37" x 13 1/2") | | 128 8303 | - | 2 "975" |
| | 001 8209 | 12 | 12 3/8-16 x 1" Head Washer Head Bolt | | 128 8304 | - | 2 "1075" |
| | 000 8168 | 12 | 12 3/8-16 Flanged Locknut | | 128 8321 | - | 2 "1175" |
| | | | | | 128 8340 | - | 2 "1195" |
| | | | | 11 | 128 8308 | 2 | 2 "Continuous" Decal |
| | | | | 12 | 128 8309 | 2 | 2 "Grain Dryer" Decal |
| | | | | 13 | 128 8310 | 24ft. 39ft. | Red & Yellow Stripe Decal - 2 1/2" |

Bottom Module Screens

(Model 675 thru 1195)



M-C 1522

Bottom Module Screens

(Model 675 thru 1195)

NOTE: Quantities shown are for dryers with quick drains in every other grain column and solid dividers in every fourth grain column.

| Ref. | Part No. | Qty. | | Description | Ref. | Part No. | Qty. | | Description |
|------|----------|-------|-------|---|------|----------|-------|-------|--|
| | | (16') | (24') | | | | (16') | (24') | |
| 1 | ---- | - | - | Moisture Control Screen w/o Quick Drain Hole | 7 | ---- | - | - | Outer Screen w/o Quick Drain Hole (See Note 3) |
| | 128 2971 | 1 | 1 | Galvanized (Std.) | | 128 2945 | 13 | 21 | Galvanized (Std.) |
| | 127 2955 | 1 | 1 | Small Seed (Galv.) | | 128 2948 | 13 | 21 | Small Seed (Galv.) |
| | 123 5209 | 1 | 1 | Aluminum | | 123 2955 | 13 | 21 | Aluminum |
| | 124 2010 | 1 | 1 | Canola (Galv.) | | 124 2010 | 13 | 21 | Canola (Galv.) |
| 2 | ----- | - | - | Moisture Control Screen w/Quick Drain Hole (See Note 1) | 8 | ----- | - | - | Outer End Screen w/o Quick Drain Hole |
| | 127 2989 | 1 | 1 | Galvanized (Std.) | | 128 2965 | 2 | 2 | Galvanized (Std.) |
| | 127 2988 | 1 | 1 | Small Seed (Galv.) | | 127 2952 | 2 | 2 | Small Seed (Galv.) |
| 3 | 128 2382 | 4 | - | Side Joiner Angle | | 123 5208 | 2 | 2 | Aluminum |
| | 128 2381 | - | 4 | Side Joiner Angle | | | 2 | 2 | Canola (Galv.) |
| 4 | 128 2014 | 3 | 5 | Inner Screen Cross Tie (on 675 & 975 only) | 9 | ----- | - | - | Outer End Screen w/Quick Drain Hole |
| 5 | ----- | - | - | Outer Screen w/Quick Drain Hole (See Note 2) | | 128 3000 | 2 | 2 | Galvanized (Std.) |
| | 127 2949 | 14 | 22 | Galvanized (Std.) | | 127 2961 | 2 | 2 | Small Seed (Galv.) |
| | 127 2962 | 14 | 22 | Small Seed (Galv.) | | 123 2348 | 2 | 2 | Aluminum |
| | 123 2349 | 14 | 22 | Aluminum | | | 2 | 2 | Canola (Galv.) |
| | 124 2011 | 14 | 22 | Canola (Galv.) | 10 | 128 2250 | 30 | 46 | Screen Stiffener Bar (not used on 675 & 975) |
| 6 | ----- | - | - | Inner Screen | 11 | ----- | - | - | Quick Drain Door |
| | 128 2974 | 32 | 48 | Galvanized (Std.) | | 127 2950 | 16 | 24 | For Galvanized (Std.) and Aluminum Screens |
| | 127 2954 | 32 | 48 | Small Seed (Galv.) | | 127 2974 | 16 | 24 | For Small Seed Screens & Canola (Galv.) |
| | 124 2004 | 32 | 48 | Canola (Galv.) | | 001 8269 | 16 | 24 | 3/16-16 x 3/4" Carriage Bolt |
| | | | | | | 000 8168 | 16 | 24 | 3/16-16 Flanged Locknut |
| | | | | | 12 | 128 2871 | 6 | 10 | Divider Panel |
| | | | | | 13 | 125 2732 | 8 | 12 | Screen Mount Angle |
| | | | | | 14 | 121 3007 | 96 | 144 | Column Stiffener Strap |

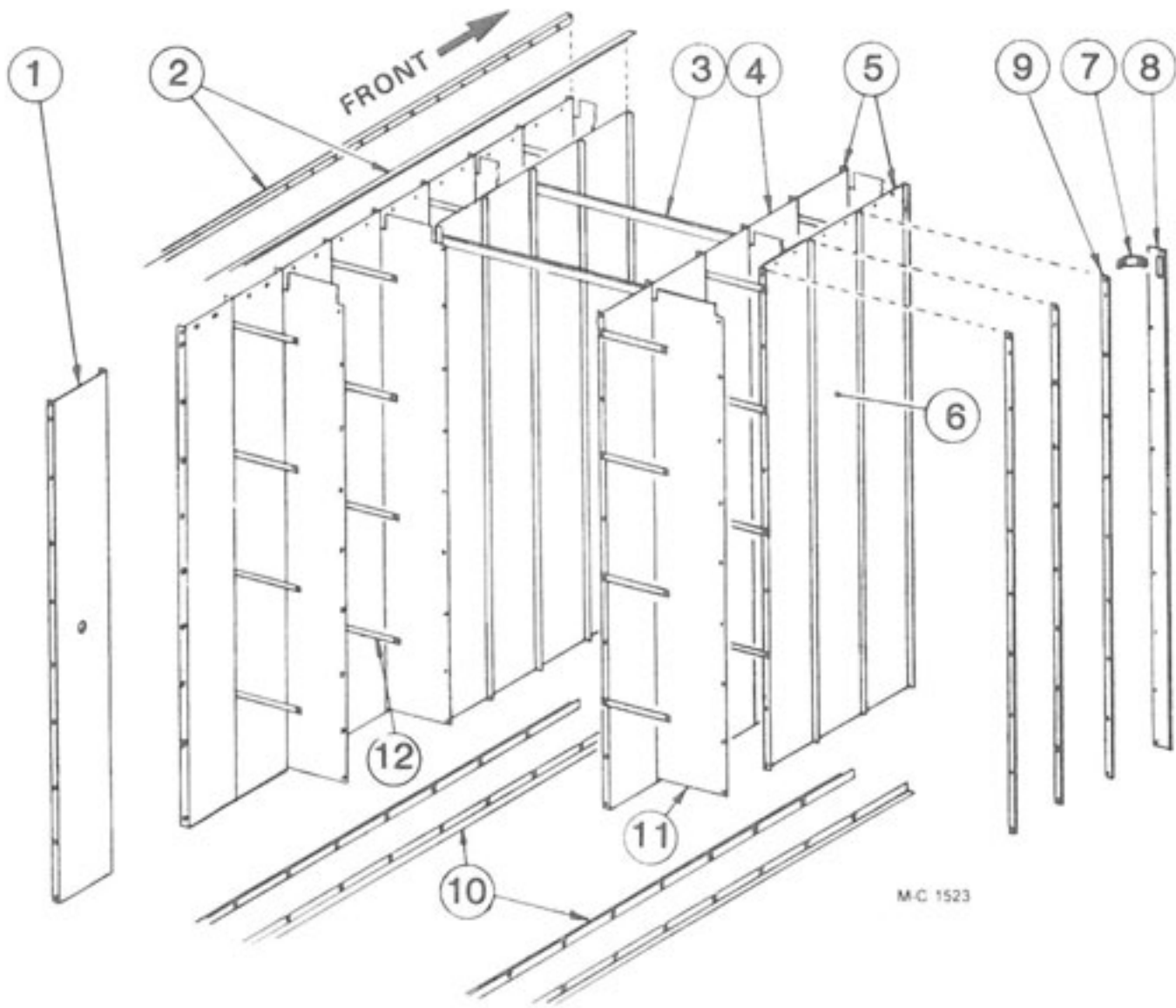
NOTE 1: Used on 675, 975, 1075 and 1175 with quick drain in every column.

NOTE 2: Outer Screen 127 2949 with quick drain door 127 2950 installed is available. Order 127 1010.

NOTE 3: Add one to the quantity on 1195.

8' Middle and Top Module Screens

(Model 1175, and 1195)



MC 1523

Starting w/ SN 54503

8' Middle and Top Module Screens (Model 1175 and 1195)

NOTE: Quantities shown are for one module.

| Ref. | Part No. | Qty. | | Description | Ref. | Part No. | Qty. | | Description |
|------|----------|-------|-------|---|------|----------|-------|-------|---|
| | | (16') | (24') | | | | (16') | (24') | |
| 1 | ----- | - | - | Moisture Control Screen (See Note 1) | 6 | ----- | - | - | Outer Screen w/o Quick Drain Hole (See Note 3) |
| | 128 3005 | 1 | 1 | Galvanized (Std.) | | 128 2945 | 27 | 43 | Galvanized (Std.) |
| | 127 2994 | 1 | 1 | Small Seed (Galv.) | | 127 2948 | 27 | 43 | Small Seed (Galv.) |
| | 129 7702 | 1 | 1 | Aluminum | | 123 2955 | 27 | 43 | Aluminum |
| | 124 2010 | 1 | 1 | Canola (Galv.) | | 124 2010 | 27 | 43 | Canola (Galv.) |
| 2 | 128 2382 | 4 | - | Side Joiner Angle | 7 | 129 3402 | 6 | 6 | Lift Bar Bracket |
| | 128 2381 | - | 4 | Side Joiner Angle | 8 | 128 3437 | 4 | 4 | Lift Bar |
| 3 | 128 2014 | 3 | 5 | Inner Screen Cross Tie (on top module only) | 9 | 128 2250 | 30 | 46 | Screen Stiffener Bar (not used on top module) |
| 4 | ----- | - | - | Inner Screen | 10 | 125 2732 | 8 | 12 | Screen Mount Angle |
| | 128 2945 | 28 | 44 | Galvanized (Std.) | 11 | 128 2901 | 6 | 10 | Divider Panel |
| | 127 2948 | 28 | 44 | Small Seed (Galv.) | 12 | 121 3007 | 96 | 144 | Column Stiffener Strap |
| | 124 2010 | 28 | 44 | Canola (Galv.) | | | | | |
| 5 | ----- | - | - | Outer and Inner End Screen | | | | | |
| | 128 2965 | 8 | 8 | Galvanized (Std.) | | | | | |
| | 127 2952 | 8 | 8 | Small Seed (Galv.) | | | | | |
| | 123 5208 | 4 | 4 | Aluminum (Outer only - See Note 2) | | | | | |
| | | 4 | 4 | Canola (Galv.) | | | | | |

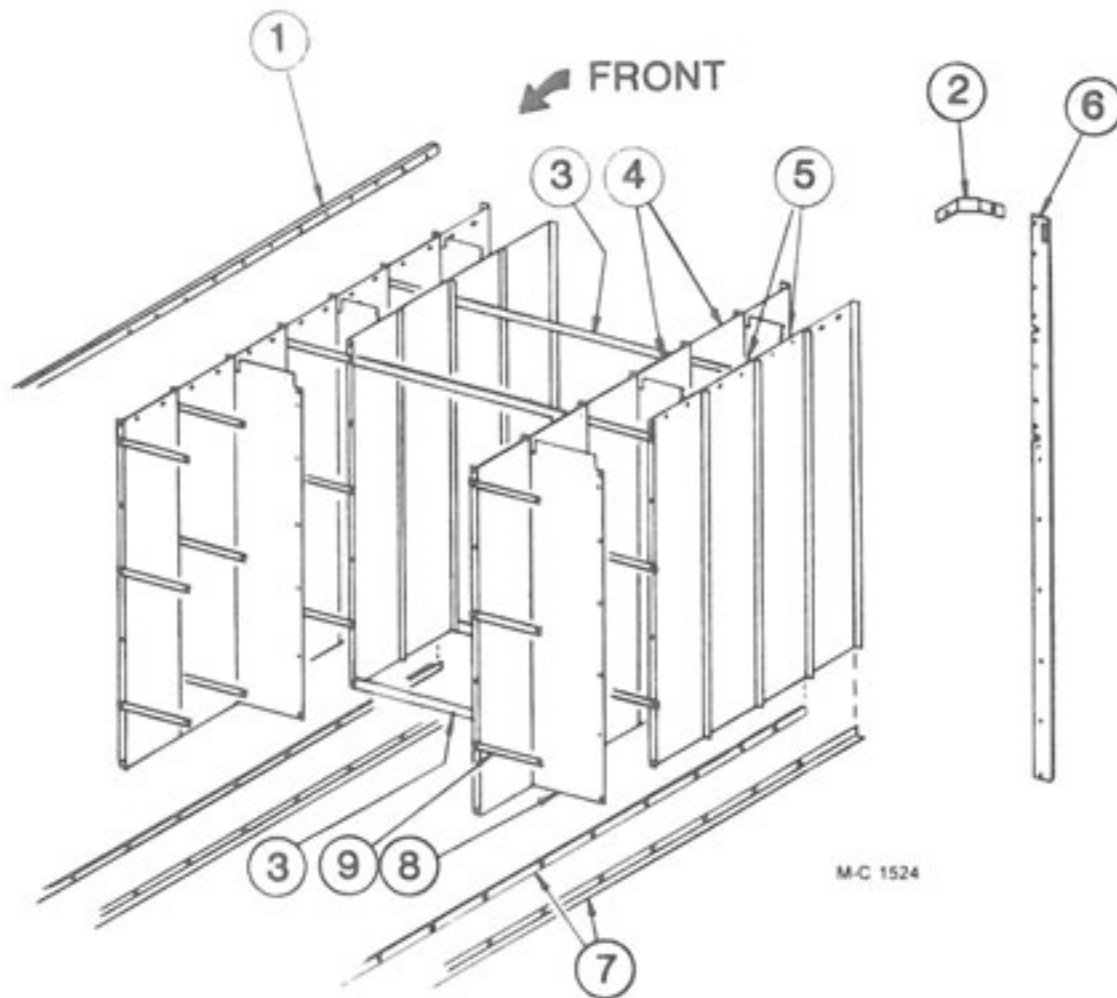
NOTE 1: Used on the middle module of 1195.

NOTE 2: Use four standard end screens (128 2965) with inner screens.

NOTE 3: Add one to the quantity for the top module of 1195.

Starting w/ SN 54503

5' Top Module Screens (Model 1075)



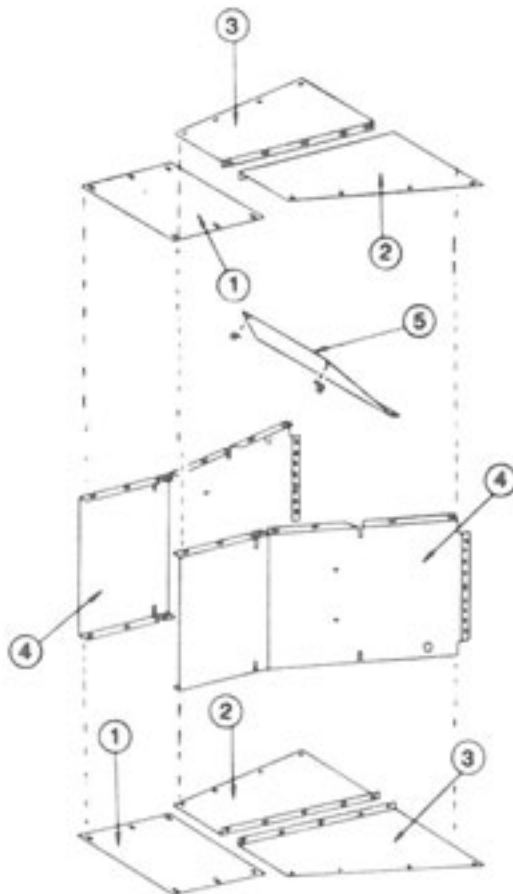
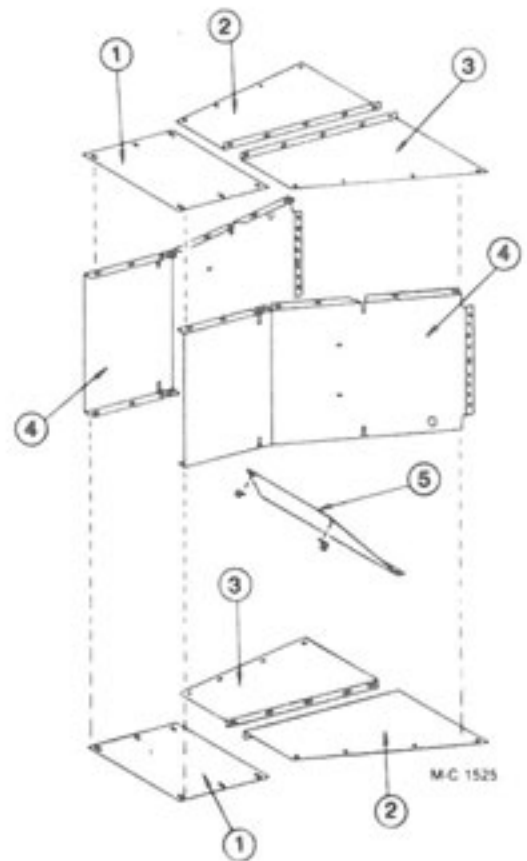
M-C 1524

| Ref. | Part No. | Qty. (16') | Qty. (24') | Description |
|------|----------|---------------|---------------|------------------------|
| 1 | 128 2382 | 4 | - | Side Joiner Angle |
| | 128 2381 | - | 4 | Side Joiner Angle |
| 2 | 129 3402 | 6 | 6 | Lifting Bar Brace |
| 3 | 128 2014 | 3 | 5 | Inner Screen Cross Tie |
| 4 | ----- | - | - | Inner Screen |
| | 128 2972 | 32 | 48 | Galvanized (Std.) |
| | 127 2951 | 32 | 48 | Small Seed (Galv.) |
| | | 32 | 48 | Canola (Galv.) |
| 5 | ----- | - | - | Outer Screen |
| | 128 2972 | 32 | 48 | Galvanized (Std.) |
| | 127 2951 | 32 | 48 | Small Seed (Galv.) |
| | 127 2990 | 32 | 48 | Aluminum |
| | | 32 | 48 | Canola (Galv.) |
| 6 | 123 3414 | 4 | 4 | Lifting Bar 5' |
| 7 | 125 2732 | 8 | 12 | Screen Mount Angle |
| 8 | 128 2907 | 6 | 10 | Divider Panel |
| 9 | 121 3007 | 48 | 72 | Column Stiffener Strap |

Mixing Chamber

Mixing Chamber

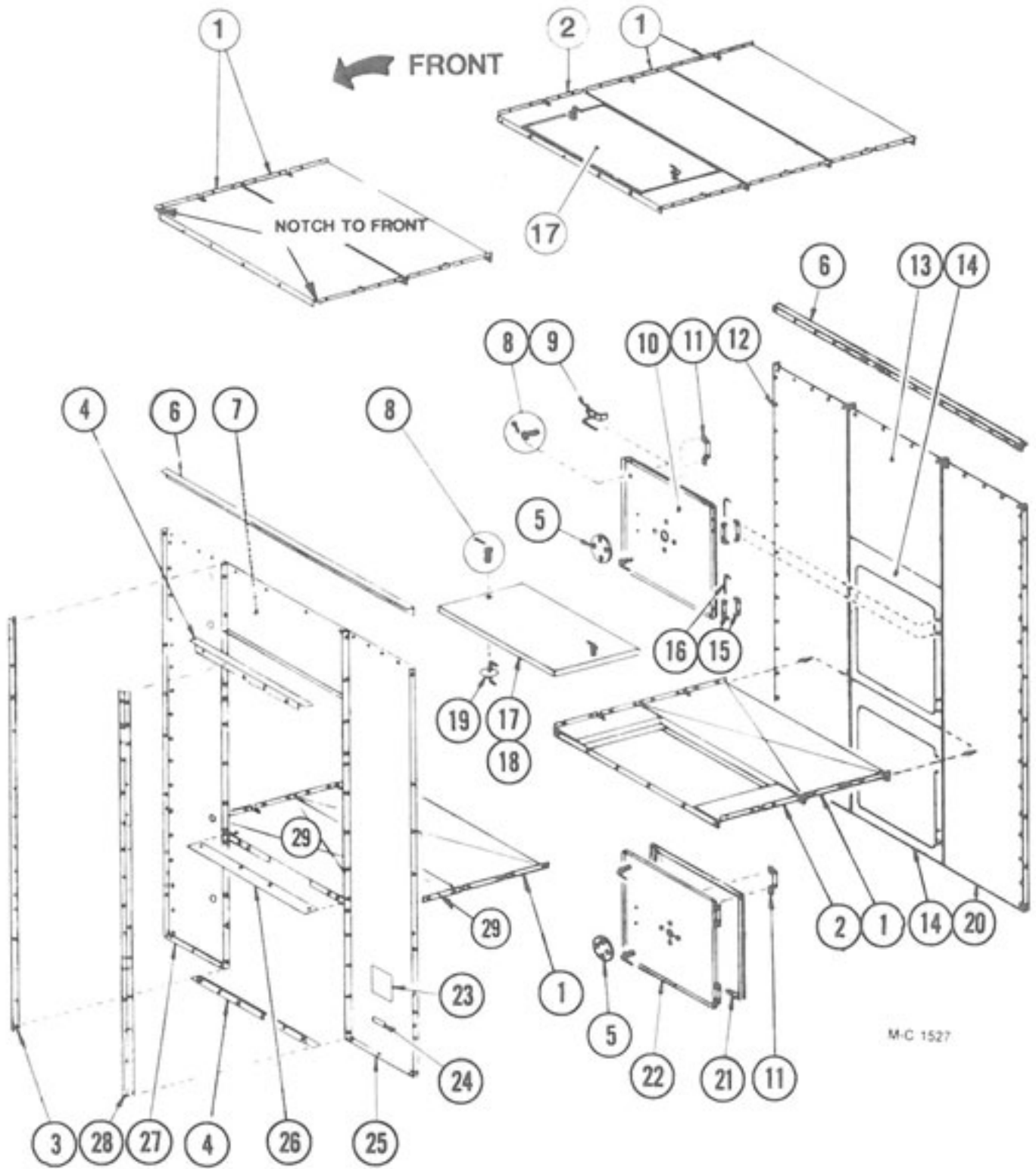
| Ref. | Part No. | Qty. | Description |
|------|----------|------|-------------------------------|
| 1 | 128 2915 | 2 | Chamber Top-End |
| 2 | 128 2912 | 2 | Chamber Top-Left |
| 3 | 128 2911 | 2 | Chamber Top-Right |
| 4 | 128 2918 | 2 | Chamber Side |
| 5 | 128 2914 | 1 | Chamber Deflector |
| 6 | 001 3302 | 2 | Universal Angle Clip |
| - | 000 8106 | 48 | 5/16-18 x 3/4" Capscrew |
| - | 000 8169 | 48 | 5/16-18 Flanged Locknut |
| - | 000 8173 | 48 | 5/16" Flatwasher |
| - | 000 8184 | 48 | 8-18 x 1/2" Sheet Metal Screw |
| - | 128 6848 | 1 | 3/4" K.O. Bushing |
| - | 128 6830 | 2 | Hole Plug |



MIXING CHAMBERS FOR 8 FT. (2.4m.) UPPER MODULES AND FOR BURNER #1 OF BOTTOM MODULE WILL USE UNIT FLOOR PANELS FOR EITHER THE TOP OR BOTTOM OF MIXING CHAMBER DEPENDING UPON LOCATION.

Bottom Module End Panels and Floor Panels

(Model 675 thru 1195)



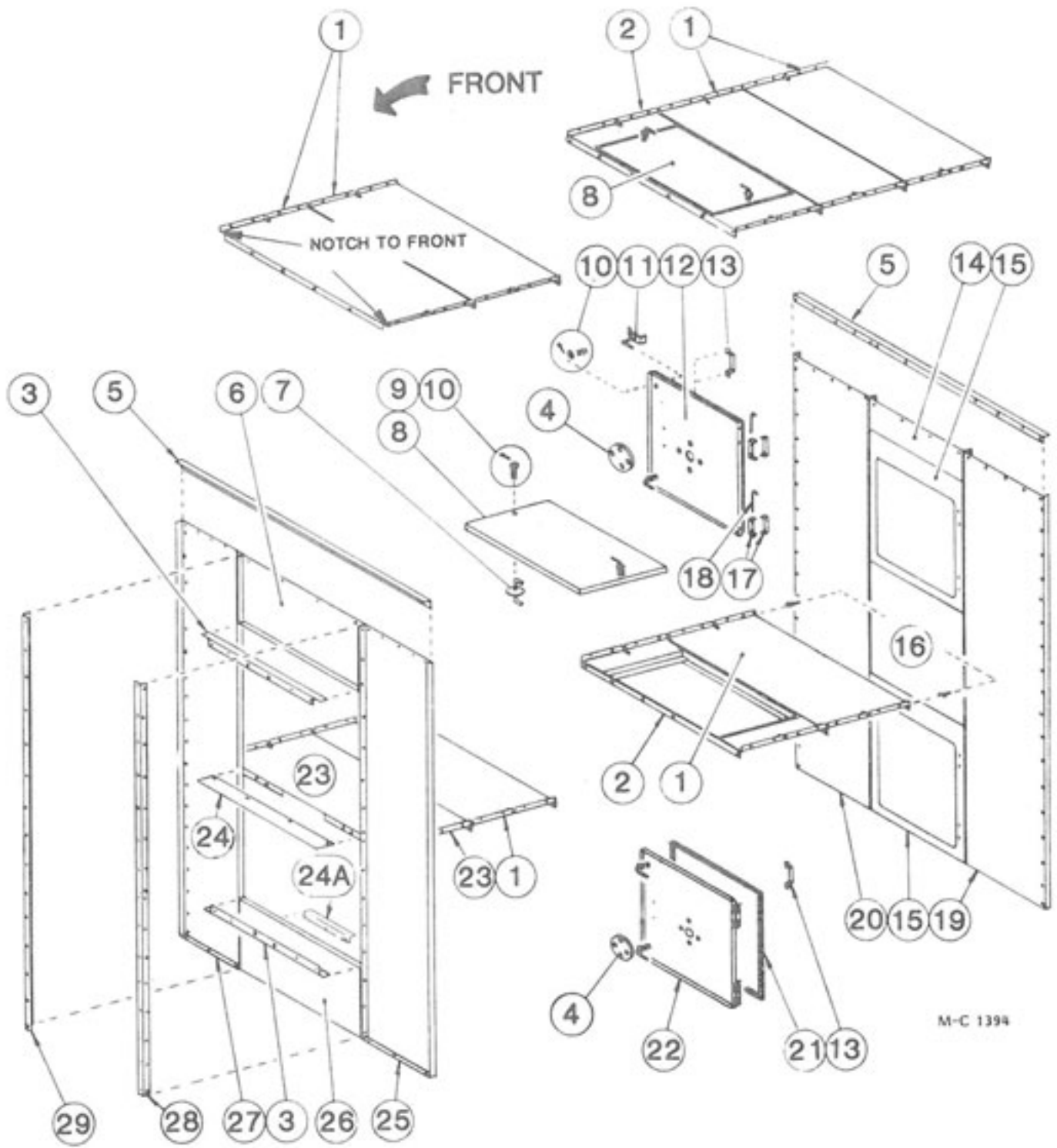
M-C 1527

Bottom Module End Panels and Floor Panels
(Model 675 thru 1195)

| <u>Ref.</u> | <u>Part No.</u> | <u>Description</u> |
|-------------|-----------------|---|
| 1 | 121 2928 | Unit Floor Panel |
| 2 | 121 0299 | Heat Chamber Door Frame |
| 3 | 128 2677 | Fan Housing Mt. - Right |
| 4 | 128 2644 | Fan Housing Mt. Angle |
| 5 | 129 5709 | Port View Lens |
| 6 | 128 2635 | End Panel Joiner Angle |
| 7 | 128 2900 | Panel Above Fans |
| 8 | 001 8256 | Spring $\frac{3}{8}$ " ID x 2" |
| | 000 8174 | $\frac{3}{8}$ " Flatwasher |
| | 000 8199 | $\frac{1}{8}$ " x 1" Cotter Pin |
| 9 | 121 0414 | Latch and Handle |
| 10 | 128 2957 | Rear Door Panel |
| 11 | 121 2887 | Door Handle |
| | 128 8251 | 8-18 x $\frac{1}{2}$ " Sheet Metal Screw |
| 12 | 128 2867 | Rear End Panel - Right |
| 13 | 128 2876 | Panel Above Rear Door |
| 14 | 128 2715 | Rear Door Frame |
| 15 | 128 2740 | Door Hinge |
| | 000 8212 | $\frac{1}{4}$ -20 x $\frac{1}{2}$ " Truss Hd. Screw |
| | 000 8167 | $\frac{1}{4}$ -20 Flanged Locknut |
| 16 | 128 5201 | Hinge Pin |
| 17 | 121 1113 | Heat Chamber Door Ass'y (Incl. ref. 8, 18 & 19) |
| 18 | 121 2970 | Heat Chamber Door Panel |
| 19 | 121 0302 | Latch and Handle |
| 20 | 128 2866 | Rear End Panel - Left |
| 21 | 121 8966 | Weather Stripping |
| 22 | 128 1183 | Rear Door Ass'y (Incl. ref. 8 thru 11, 15 & 21) |
| 23 | 127 8300 | "CGA" Dryer Plate (Canada only) |
| 24 | 121 8310 | Made in USA - Decal |
| 25 | 128 2868 | Front End Panel - Left |
| 26 | 128 2992 | Floor Seal |
| 27 | 128 2869 | Front End Panel - Right |
| 28 | 128 2678 | Fan Housing Mt. - Left |
| 29 | 120 2835 | Front Unit Floor Panel |

8' Middle and Top Module End Panels and Floor Panels

(Model 1175, and 1195)



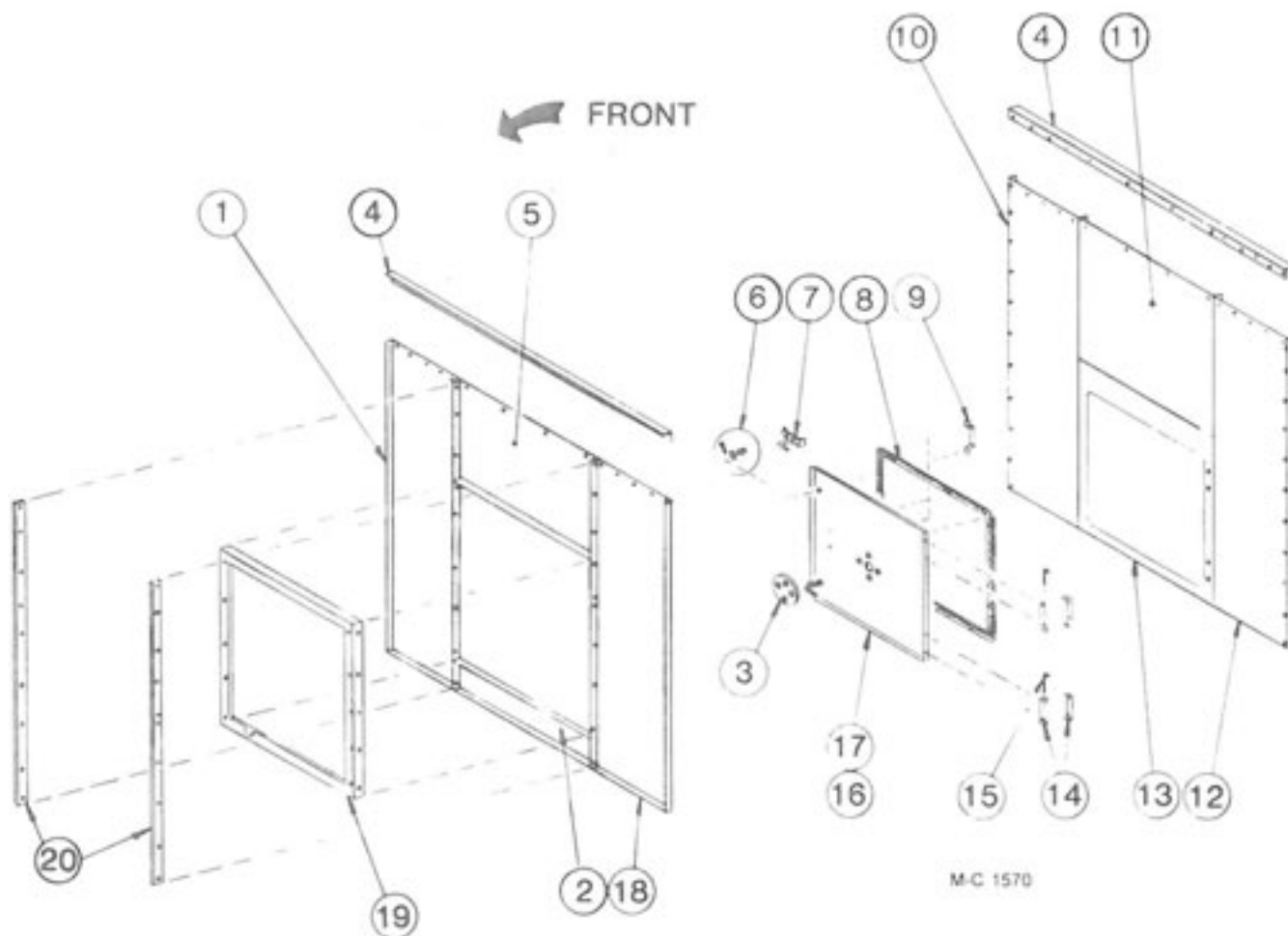
M-C 1394

8' Middle and Top Module End Panels and Floor Panels
(Model 1175, and 1195)

| Ref. | Part No. | Description |
|------|----------|--|
| 1 | 121 2928 | Unit Floor Panel |
| 2 | 121 0299 | Heat Chamber Door Frame |
| 3 | 128 2644 | Fan Housing Mt. Angle |
| 4 | 129 5709 | Port View Lens |
| 5 | 128 2635 | End Panel Joiner Angle |
| 6 | 128 2900 | Top Spacer Panel |
| 7 | 121 0302 | Latch and Handle |
| 8 | 121 1113 | Heat Chamber Door Ass'y. (Incl. ref. 7, 9 & 10) |
| 9 | 121 2970 | Heat Chamber Door Panel |
| 10 | 001 8256 | Spring - 1/8" ID x 2" |
| | 000 8174 | 3/8" Flatwasher |
| | 000 8199 | 1/8" x 1" Cotter Pin |
| 11 | 121 0414 | Latch and Handle |
| 12 | 128 2957 | Rear Door Panel |
| 13 | 121 2887 | Door Handle |
| | 128 8251 | 8-18 x 1/2" Sheet Metal Screw |
| 14 | 128 2925 | Panel Above Top Rear Door |
| 15 | 128 2715 | Rear Door Frame |
| 16 | 128 2926 | Panel Between Rear Doors |
| 17 | 128 2740 | Door Hinge |
| | 000 8212 | 1/4-20 x 1/2" Truss Hd. Screw |
| | 000 8167 | 1/4-20 Flanged Locknut |
| 18 | 128 5201 | Hinge Pin |
| 19 | 128 2866 | Rear End Panel - Left |
| 20 | 128 2867 | Rear End Panel - Right |
| 21 | 121 8966 | Weather Stripping |
| 22 | 128 1183 | Rear Door Ass'y. (Incl. ref. 10 thru 13, 17 & 21) |
| 23 | 120 2835 | Front Unit Floor Panel |
| 24 | 128 2992 | Floor Seal |
| 24A | 021 2841 | Mixing Chamber Support |
| 25 | 128 2868 | Front End Panel - Left |
| 26 | 128 2899 | Bottom Spacer Panel |
| 27 | 128 2869 | Front End Panel - Right |
| 28 | 128 2654 | Fan Housing Mt. - Left |
| 29 | 128 2653 | Fan Housing Mt. - Right |

Screen w/o clean-out is no longer available. Order Galvanized (Std.) Screen Ass'y. 124 1032 or Small Seed (Galv.) Screen Ass'y. 124 1033. Assemblies include ref. 6 screen, ref. 8 cover and cover attaching hardware.

5' Top Module End Panels (Model 1075)

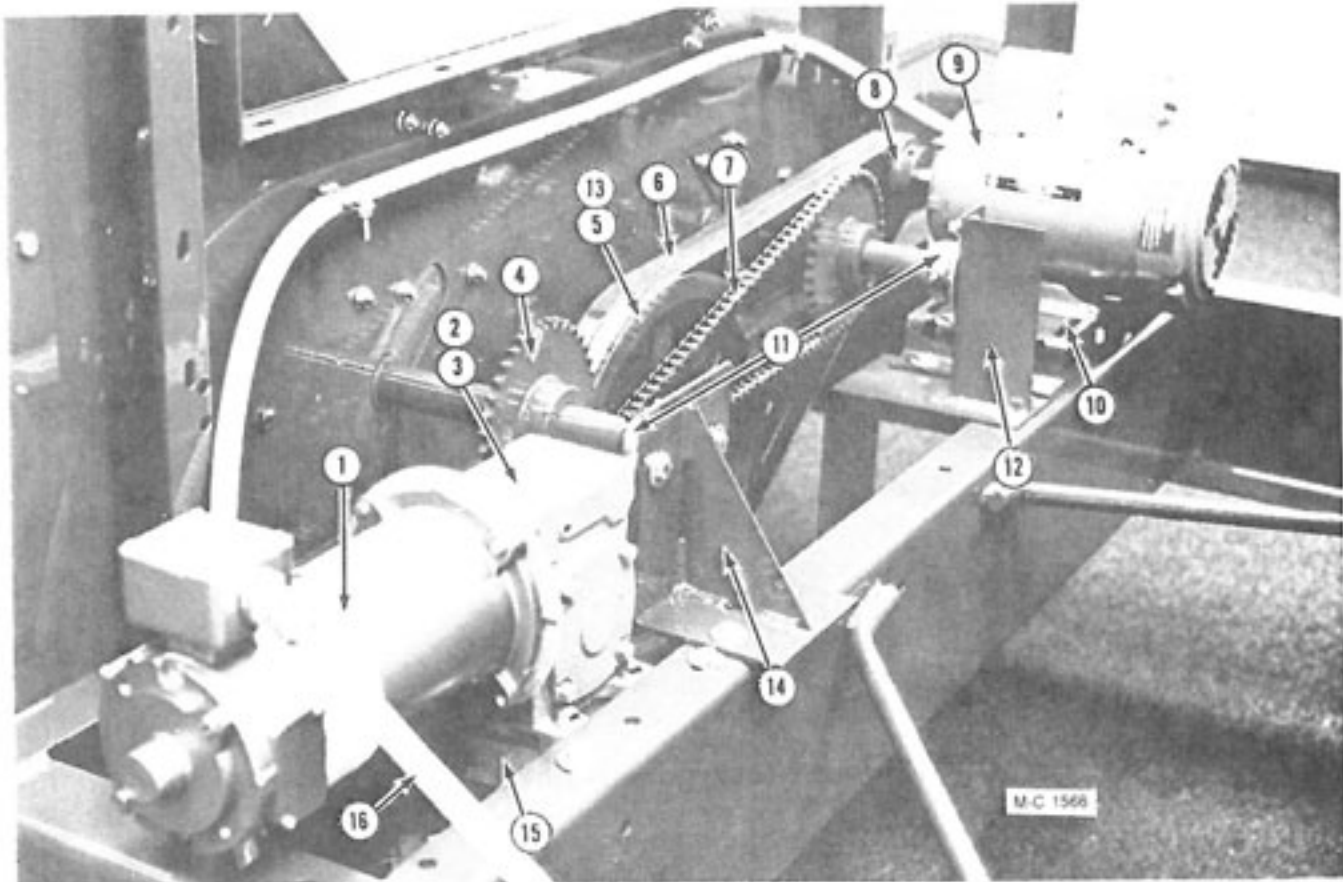


| Ref. | Part No. | Description |
|------|----------|--|
| 1 | 121 2845 | Front End Panel - Right |
| 2 | 128 2899 | Panel Below Fan starting with Serial No. 55196 |
| 3 | 129 5709 | Port View Lens |
| 4 | 128 2635 | End Panel Joiner Angle |
| 5 | 128 2848 | Panel Above Fan up to and including Serial No. 55060 |
| | 128 2870 | Panel Above Fan starting with Serial No. 55196 |
| 6 | 001 8256 | Spring $\frac{3}{8}$ " ID x 2" |
| | 000 8174 | $\frac{3}{8}$ " Flatwasher |
| | 000 8199 | $\frac{1}{8}$ " x 1" Cotter Pin |
| 7 | 121 0414 | Latch and Handle |
| 8 | 121 8966 | Weather Stripping |
| 9 | 121 2887 | Door Handle |
| | 128 8251 | 8-18 x $\frac{1}{2}$ " Sheet Metal Screw |

| Ref. | Part No. | Description |
|------|----------|---|
| 10 | 128 2844 | Rear End Panel - Right |
| 11 | 128 2847 | Panel Above Rear Door |
| 12 | 128 2843 | Rear End Panel - Left |
| 13 | 128 2715 | Rear Door Frame |
| 14 | 128 2740 | Door Hinge |
| | 000 8212 | $\frac{1}{4}$ -20 x $\frac{1}{2}$ " Truss Hd. Screw |
| | 000 8167 | $\frac{1}{4}$ -20 Flanged Locknut |
| 15 | 128 5201 | Hinge Pin |
| 16 | 128 1183 | Rear Door Ass'y. (Incl. ref. 6 thru 9, 14 & 17) |
| 17 | 128 2957 | Rear Door Panel |
| 18 | 128 2846 | Front End Panel - Left |
| 19 | 128 2604 | Fan Housing Mt. Plate |
| 20 | 128 2050 | Fan Hsg. Stiffener Bar |

This page intentionally blank.

SCR Drive Motor and Gear Box



| Ref. | Part No. | Qty. | Description | Ref. | Part No. | Qty. | Description |
|------|----------|------|--|------|----------|------|---|
| 1 | 124 6837 | 1 | DC Motor - 1 3 HP | 9 | 127 6860 | - | 230/460V 1.5HP 3Ø Motor |
| | 122 8613 | - | DC Motor Brush | | 121 6861 | - | 230/460V 2HP 3Ø Motor |
| 2 | 124 6624 | 1 | SCR Gear Box (Incl. 3/16" x 1" Key- 001 5110) | | 001 5112 | 1 | Key - 3/16" x 1 1/8" (For 1 1/2 HP motor) |
| | 128 8947 | 1 | Pint of Mobil SHC 634 Oil | | 001 5114 | 1 | Key-3/16" x 1 1/8" (For 2 HP motor) |
| | 000 8123 | 4 | 3/8-16 x 1 1/4" Capscrew | | 128 1810 | 1 | Motor To Cabinet Wire Ass'y. |
| | 000 8174 | 4 | 1/8" Flatwasher | | 000 8110 | 1 | 5/16-18 x 1 1/2" Capscrew |
| | 000 8168 | 4 | 1/8" Flanged Locknut | | 000 8108 | 3 | 5/16-18 x 1" Capscrew |
| 3 | 128 6422 | 1 | SCR Gear Box Sprocket (not shown) RC-40 12T, 1/2" Bore | | 000 8173 | 8 | 5/16" Flatwasher |
| | | | | | 000 8169 | 4 | 5/16-18 Flanged Locknut |
| 4 | 128 6423 | 2 | Sprocket-RC40-36T-1 1/4" Bore | 10 | 124 4214 | 1 | Unload Auger Motor Mt. |
| | 000 8298 | 2 | Woodruff Key - 1/2" x 1/2" | | 000 8121 | 4 | 3/8-16 x 1" Capscrew |
| 5 | 021 6201 | 1 | Pulley-2B x 13.6 SK | | 001 8132 | 1 | 3/8-16 x 4" "J" Bolt |
| | 001 5130 | 1 | Key - 3/8" x 1" | | 000 8174 | 5 | 1/8" Flatwasher |
| 6 | 021 6100 | 1 | B-65 Belts (Matched set of 2) | | 000 8168 | 5 | 1/8-16 Flanged Locknut |
| 7 | 128 6315 | 1 | Chain - RC-40 x 130 Pitch | 11 | 121 6022 | 2 | 1 1/4" Outboard Brg. |
| | 002 6309 | - | Connecting Link | | 000 8121 | 4 | 3/8-16 x 1" Capscrew |
| 8 | 121 6210 | 1 | Pulley - 2B - 3-3/16"OD - 3/8" Bore | | 000 8174 | 4 | 1/8" Flatwasher |
| | 121 6203 | 1 | Pulley-2B - 3-3/16"OD - 3/8" Bore | | 000 8168 | 4 | 3/8-16 Flanged Locknut |
| | | | | 12 | 128 0257 | 1 | Gear Mt. Motor Weld. |
| | | | | | 000 8119 | 4 | 3/8-16 x 3/8" Capscrew |
| | | | | | 000 8174 | 4 | 1/8" Flatwasher |
| | | | | | 000 8168 | 4 | 3/8-16 Flanged Locknut |

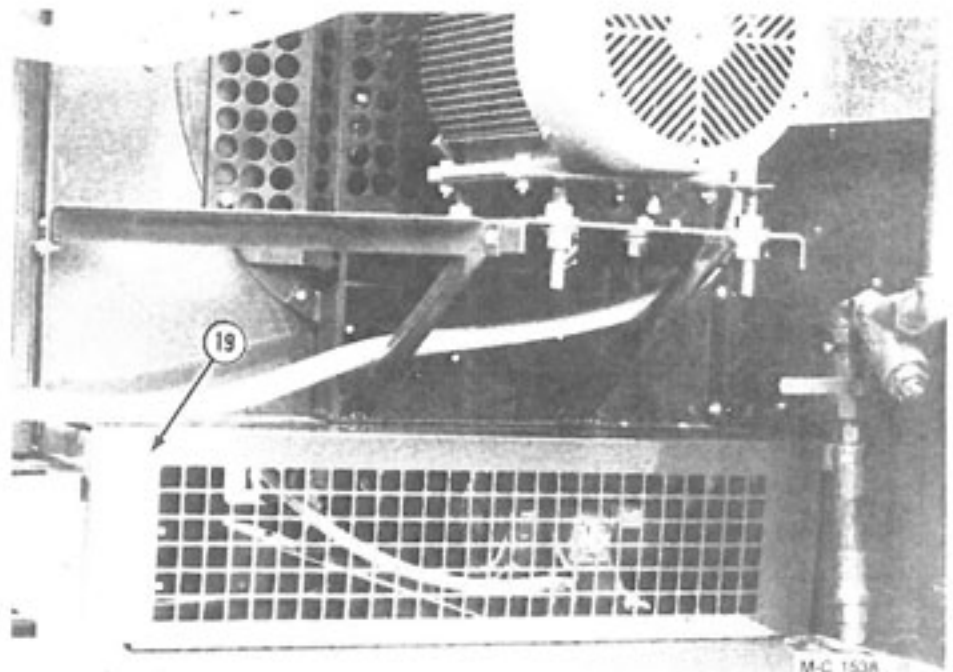
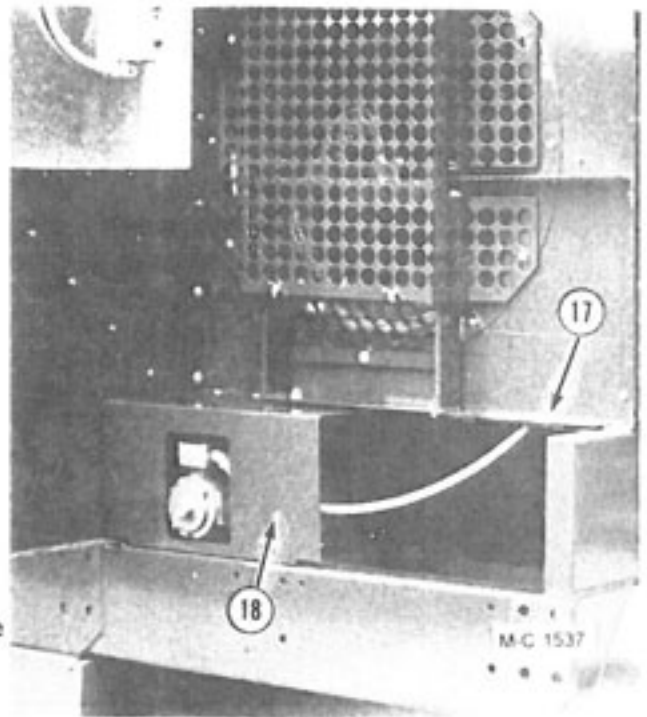
Continued on next page

SCR Drive Motor and Gear Box

| Ref. | Part No. | Qty. | Description |
|------|----------|------|--|
| 13 | 001 6202 | 1 | SK-Bushing - 1-7/16" Bore (Incl. capscrews) |
| 14 | 128 0191 | 1 | Outboard Brg. Mount |
| 15 | 124 4456 | 1 | Gear Box Mount |
| | 000 8119 | 4 | 3/8-16 x 3/4" Capscrew |
| | 000 8174 | 4 | 3/8" Flatwasher |
| | 000 8168 | 4 | 3/8-16-Flanged Locknut |
| 16 | 128 1808 | 1 | SCR Motor to Cabinet Flexible Conduit (51") |
| | 128 1999 | 1 | SCR Motor to Cabinet Flexible Conduit (40") |
| 17 | 124 4803 | 4 | Drive Cover Brkt-Long |
| | 124 4804 | 4 | Drive Cover Brkt-Short |
| | 000 8104 | 6 | 5/16-18 x 3/4" Truss Hd. Screw |
| | 000 8169 | 6 | 5/16-18 Flanged Locknut |
| 18 | 124 4802 | 1 | SCR Guard with Motor Hole |
| 19 | 124 4809 | 1 | SCR Guard |

Not Shown

| | | | |
|---|----------|---|----------------------------------|
| — | 120 6914 | 1 | Chase Nipple - 1/2" |
| — | 121 6906 | 2 | Pipe Clamp |
| | 000 8212 | 2 | 1/4-20 x 1/2" Truss Hd. Screw |
| | 000 8167 | 2 | 1/4-20 Flanged Locknut |



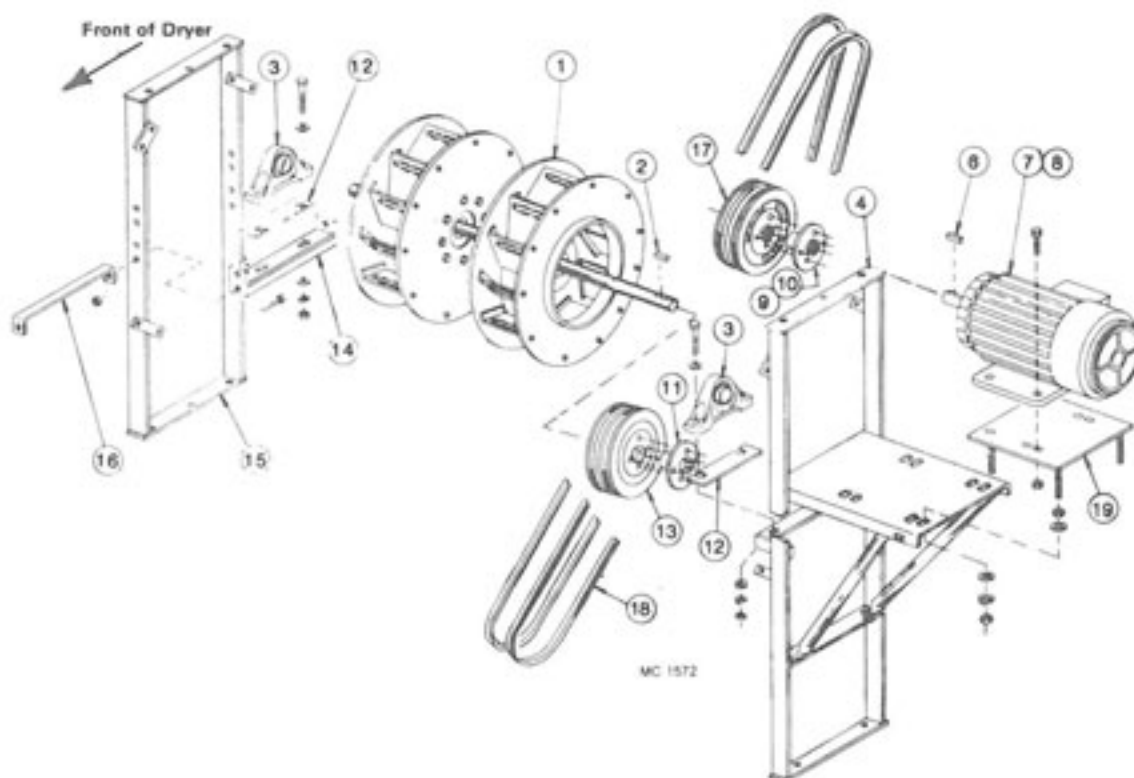
Venturi Burner

NOTE: Quantities shown are for one burner assembly.

| Ref. | Part No. | Qty. | Description |
|------|----------|------|---|
| 1 | 128 8969 | 2 | Burner Window Holder Clip |
| 2 | 128 8968 | 1 | Burner Window |
| 3 | 128 4515 | 2 | Air Adjuster Brkt. |
| 4 | 128 3371 | 2 | Air Adjuster Clamp Brkt.- Short (2-15/16") |
| | 128 2008 | 2 | Air Adjuster Clamp Brkt.- Long (3-9/16") |
| 5 | 128 4488 | 2 | Hand Hole Cover Plate |
| 6 | --- | --- | Back Wall of Control Cabinet |
| 7 | 127 5201 | 1 | Eddy Mtg. Strip |
| 8 | 127 5200 | 1 | Natural Gas Eddy |
| 9 | 128 0197 | 1 | Flame Ground Rod |
| 10 | 121 6915 | 4 | Locknut-1/2" |
| 11 | 128 3007 | 1 | Flame Sensing Probe Brkt. |
| 12 | 121 6906 | 2 | Pipe Clamp |
| 13 | 128 5742 | 2 | Igniter Line Support Tube |
| 14 | 128 8061 | 2 | PCV Male Adapter-1/2" |
| 15 | 122 9003 | 1 | Ignition Wire |
| 15A | 124 1079 | 2 | Low Voltage Wire Assembly |
| 16 | 124 6872 | 1 | Flame Sensing Probe |
| 17 | 128 2962 | 1 | Electrode Mtg. Brkt. |
| 18 | 128 6995 | 1 | Style 2 Electrode |
| 19 | 121 3007 | 1 | Ground Strap |
| 20 | 128 0108 | 2 | Inlet Throttle |
| 21 | 127 5700 | 2 | Burner Nozzle (Natural Gas- 3/8" Orifice) |
| | 128 5715 | 2 | Burner Nozzle (LP Gas- 1/4" Orifice) |
| 22 | 128 0112 | 2 | Venturi Burner |
| 23 | 128 4260 | 2 | Burner Mtg. Strap |
| 24 | 128 5401 | 6 | Venturi Spacer |
| 25 | 128 0137 | 1 | Venturi Extension |
| 26 | --- | --- | Burner Deflector |
| | 128 5310 | 1 | 17 3/8" (For 10HP fan ass'y.) |
| | 127 5300 | 1 | 15 1/4" (For 15HP fan ass'y.) |
| | 128 5308 | 1 | 12 3/4" (For 20HP fan ass'y.) |
| 27 | 128 0141 | 1 | Vaporizer Coil Anchor (LP Gas) |
| 28 | 128 5306 | 1 | Vaporizer Coil Anchor Clip (LP Gas) |
| 29 | 128 0140 | 1 | Vaporizer Coil (LP Gas) |
| 30 | 128 4523 | 1 | Burner Front Support-Right |
| | 128 4524 | 1 | Burner Front Support-Left |
| 31 | 128 4941 | 1 | Wire Support Brkt. |
| 32 | 128 6989 | 3 | Stand-Off Clip |

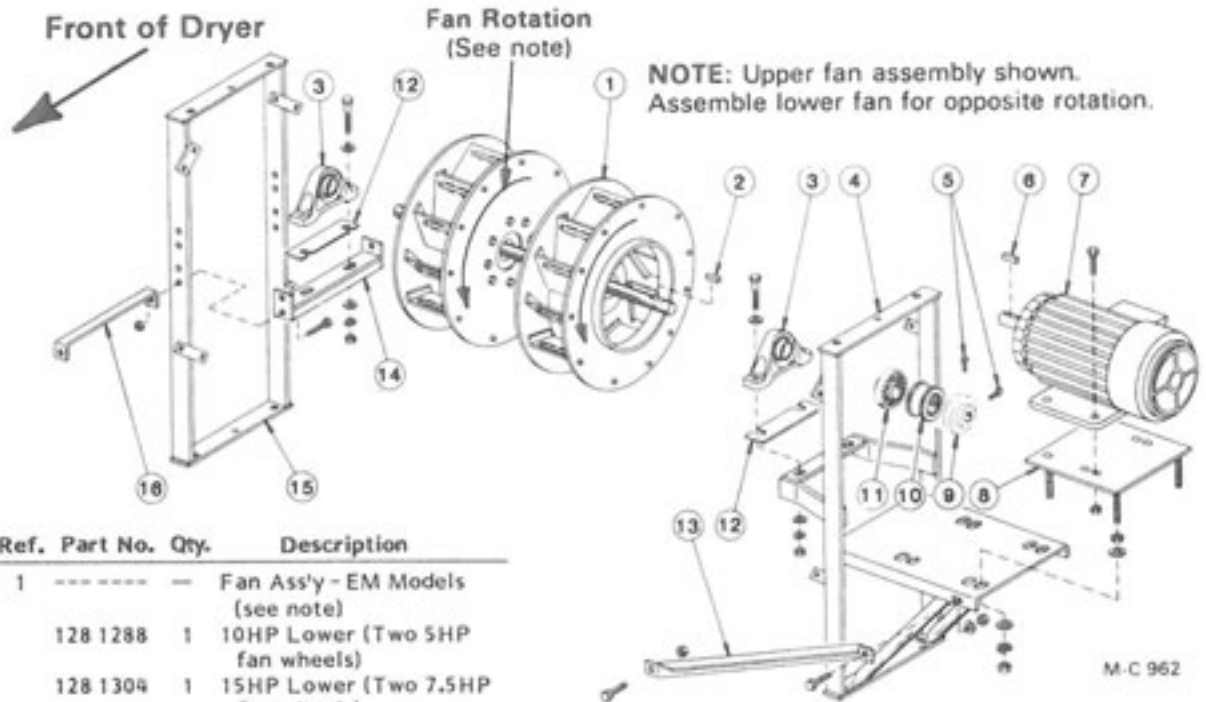
Belt Drive Fans (50 Cycle)

(Model 675 thru 1195EM)



| Ref. | Part No. | Qty. | Description | Ref. | Part No. | Qty. | Description |
|------|----------|------|-----------------------------------|------|----------|------|------------------------------|
| 1 | ---- | - | Centrifugal Fan | 15 | 128 0091 | 1 | Fan Bearing Support |
| | 124 1207 | 1 | 10HP BEM 50Hz Upper Fan | | 000 8121 | 8 | 3/16-16 x 1" Hex Bolt |
| | 124 1206 | 1 | 20HP BEM 50Hz Upper Fan | | 000 8168 | 8 | 3/16 Flanged Locknut |
| 2 | 001 5150 | 1 | Key - 1/2" x 3/8" x 2" | | 000 8135 | 4 | 1/2-13 x 1" Hex Bolt Grade 5 |
| 3 | 128 6022 | 2 | Pillow Block Bearing 2-3/16" I.D. | | 000 8170 | 4 | 1/2-13 Flanged Locknut |
| 4 | 128 0335 | 1 | Motor Support Belt Drive | 16 | 128 3452 | 1 | Bearing Mount Stiffener |
| 6 | 001 5124 | 1 | Key - 5/16" x 2 3/8" 10HP | | 001 8209 | 1 | 3/16-16 x 1" Hex Bolt |
| | 001 5139 | 1 | Key - 3/8" x 3" 20HP | | 000 8168 | 1 | 3/16 Flanged Locknut |
| 7 | 124 6963 | 1 | 10HP Motor (Uni-Mount) | | 000 8139 | 1 | 1/2-13 x 1 3/4" Hex Bolt |
| 8 | 124 6946 | 1 | 20HP Motor (Uni-Mount) | | 000 8170 | 1 | 1/2-13 Flanged Locknut |
| 9 | 121 6239 | 1 | 1 3/8" SK Bushing w/35CW 10HP | 17 | 127 6207 | 1 | 2/5V/10.3 SK Sheave (Motor) |
| 10 | 121 6229 | 1 | 1 1/8" SK Bushing w/35CW 20HP | 18 | 128 6602 | 1 | BX50 Belt (Set of 2) |
| 11 | 128 6228 | 1 | 2-3/16" SK DSG w/Std. Kwy. | 19 | 128 0167 | 1 | Motor Mount 10HP |
| 12 | 128 2849 | AR | Bearing Shim 16 Gauge | | 121 0343 | 1 | Motor Mount 20HP |
| | 128 2849 | AR | Bearing Shim 11 Gauge | 20 | 124 4213 | 1 | Motor Mount Brace |
| 13 | 127 6206 | 1 | 2/5V/8.5 SK Sheave (Fan) | | 001 8209 | 2 | 3/16-16 x 1" Hex Bolt |
| 14 | 128 0098 | 1 | Bearing Support | | 000 8168 | 2 | 3/16 Flanged Locknut |
| | 000 8138 | 3 | 1/2-13 x 1 1/2" Hex Bolt | | | | |
| | 000 8139 | 1 | 1/2-13 x 1 3/4" Hex Bolt | | | | |
| | 000 8170 | 4 | 1/2-13 Flanged Locknut | | | | |

Fans and Fan Drive (Model 675 thru 1195 EM)



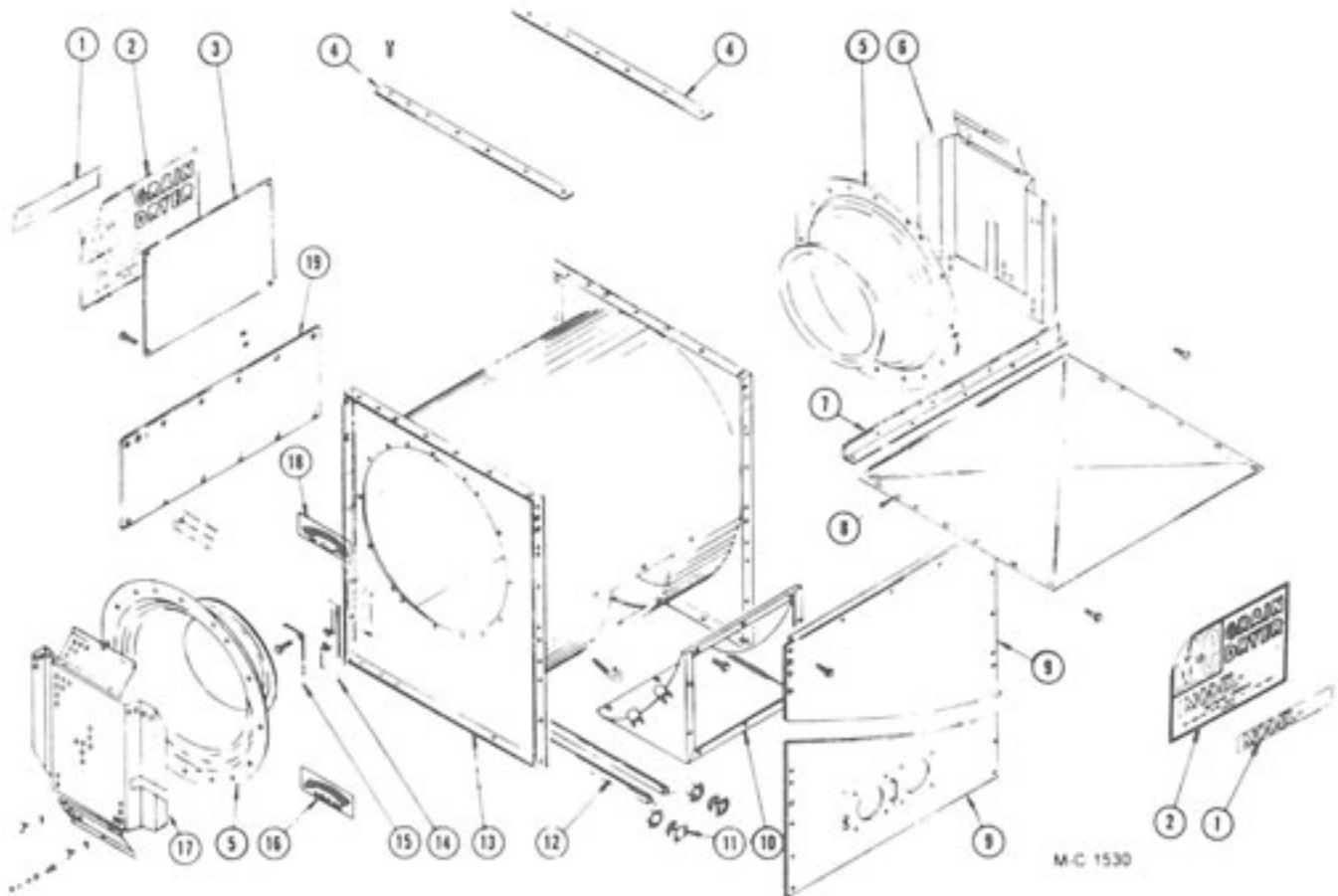
| Ref. | Part No. | Qty. | Description |
|------|----------|------|--|
| 1 | ----- | -- | Fan Ass'y - EM Models (see note) |
| | 128 1288 | 1 | 10HP Lower (Two 5HP fan wheels) |
| | 128 1304 | 1 | 15HP Lower (Two 7.5HP fan wheels) |
| | 128 1440 | 1 | 15HP Upper (Two 7.5HP fan wheels) |
| | 128 1266 | 1 | 20HP Upper (Two 10HP fan wheels) |
| 2 | 001 5150 | -- | Key - 1/2" x 3/8" x 2" |
| 3 | 128 6022 | -- | Pillow Block Brg. - 2-3/16" Bore |
| | 000 8268 | 2 | 5/8-11 x 3" Capscrew-Grd.5 |
| | 000 8299 | 2 | 5/8" SAE Flatwasher |
| | 000 8181 | 2 | 5/8" Lockwasher |
| | 000 8164 | 2 | 5/8-11 Hex Nut |
| 4 | 128 0138 | -- | Motor Support - Upper Fan |
| | 128 0106 | -- | Motor Support - Lower Fan |
| | 001 8209 | 8 | 3/8-16 x 1" Hex Washer Head Bolt |
| | 000 8168 | 8 | 3/8-16 Flanged Locknut |
| 5 | 128 8130 | -- | 3/8-16 x 1" Sq. Hd. Cup Pt. Set Screw |
| 6 | 001 5124 | -- | Key - 5/16" x 2-3/8" (10HP motor) |
| | 001 5139 | -- | Key - 3/8" x 3" (15 & 20HP motor) |
| 7 | 201 6818 | -- | 230/460V 10HP 3Ø Motor |
| | 201 6819 | -- | 230/460V 15HP 3Ø Motor |
| | 125 6934 | -- | 230/460V 20HP 3Ø Motor |
| | 000 8139 | 4 | 1/2-13 x 1-3/4" Capscrew (15 & 20HP motors) |
| | 000 8170 | 4 | 1/2-13 Flanged Locknut |
| 8 | 128 0167 | -- | Motor Mt. (10HP motors) |
| | 121 0343 | -- | Motor Mt. (15 & 20HP motors) |
| | 000 8165 | 8 | 3/4-10 Hex Nut |
| | 000 8177 | 8 | 3/4" Flatwasher |
| | 000 8182 | 4 | 3/4" Lockwasher |

| Ref. | Part No. | Qty. | Description |
|------|----------|------|---|
| 9 | 128 6623 | -- | 8-S Flange - 1-3/8" Bore (10HP motor) |
| | 128 6604 | -- | 8-S Flange - 1-5/8" Bore (15 & 20HP motors) |
| 10 | 128 6606 | -- | Sleeve - Sureflex 8JE (10, 15 & 20HP motors) |
| 11 | 128 6622 | -- | 8-S Flange - 2-3/16" Bore (10, 15 & 20HP motors) |
| 12 | 128 2849 | AR | Bearing Shim - 16 gauge |
| | 128 2649 | AR | Bearing Shim - 11 gauge |
| 13 | 124 4213 | -- | Motor Mount Brace |
| | 001 8209 | 2 | 3/8-16 x 1" Hex Washer Head Bolt |
| | 000 8168 | 2 | 3/8-16 Flanged Locknut |
| 14 | 128 0098 | -- | Bearing Support |
| | 000 8138 | 3 | 1/2-13 x 1-1/2" Capscrew |
| | 000 8139 | 1 | 1/2-13 x 1-3/4" Capscrew |
| | 000 8170 | 4 | 1/2-13 Flanged Locknut |
| 15 | 128 0091 | -- | Fan Bearing Support |
| | 001 8209 | 8 | 3/8-16 x 1" Hex Washer Head Bolt |
| | 000 8168 | 8 | 3/8-16 Flanged Locknut |
| | 000 8135 | 4 | 1/2-13 x 1" Capscrew-Grd.5 |
| | 000 8170 | 4 | 1/2-13 Flanged Locknut |
| 16 | 128 3452 | -- | Bearing Mt. Stiffener |
| | 001 8209 | 1 | 3/8-16 x 1" Hex Washer Head Bolt |
| | 000 8168 | 1 | 3/8-16 Flanged Locknut |
| | 000 8139 | 1 | 1/2-13 x 1-3/4" Capscrew |
| | 000 8170 | 1 | 1/2-13 Flanged Locknut |

NOTE: "Lower" and "Upper" refer to the fan assembly location in the bottom module and each 8 foot module. "Upper" fan assemblies are used in the 5 foot module on Model 775 and 1075. Fan assembly HP can be determined by measuring the width of the fan wheels.

- A. 2-1/2" fan wheels - 5HP (Two fan wheels - 10HP)
- B. 3-7/8" fan wheels - 7-1/2HP (Two fan wheels - 15HP)
- C. 5-1/4" fan wheels - 10HP (Two fan wheels - 20HP)

Fan Housing

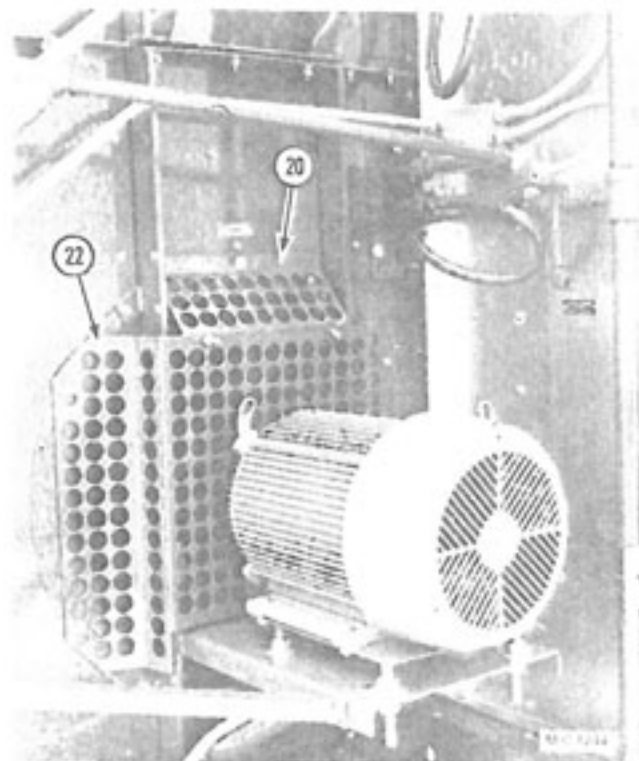
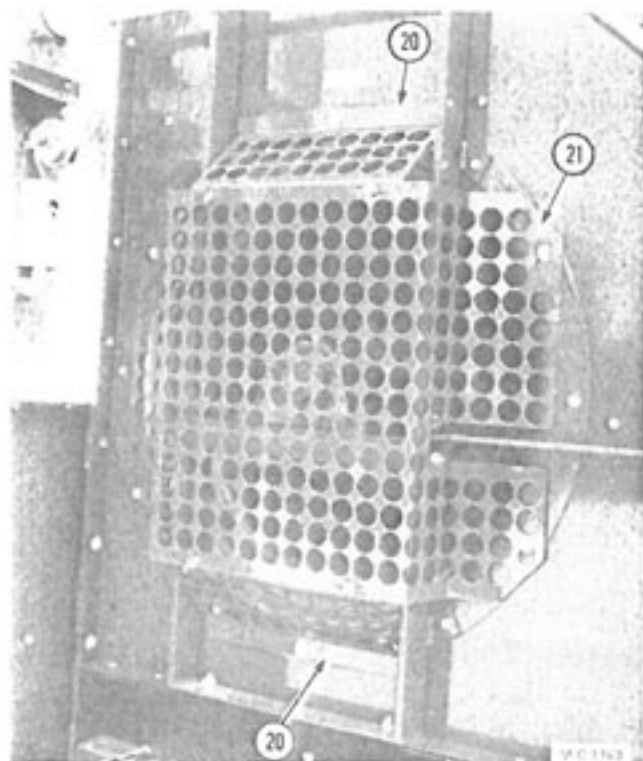


| Ref. | Part No. | Qty. | Description | Ref. | Part No. | Qty. | Description |
|------|----------|------|--|----------|----------|------|--|
| 1 | ----- | — | Dryer Model Decal (Use w/ref. 2) | 128 4552 | 1 | 1 | Fan Hsg. Spacer Joiner - Left |
| | 128 8327 | 2 | 675 | 128 4554 | 1 | 1 | Fan Hsg. Spacer - Left |
| | 128 8332 | 2 | 1075 | 128 4850 | 1 | 1 | Front Spacer Panel |
| | 128 8333 | 2 | 1175 | 5 | 128 5724 | 2 | Air Intake Spinning |
| | 128 8340 | 2 | 1195 | | 000 8106 | 9 | 5/16-18x3/4" Capscrew |
| 2 | 128 8331 | 2 | Large Decal - Model 975 (See note 1) | | 000 8109 | 9 | 5/16-18x1/4" Capscrew |
| 3 | 128 2999 | 1 | Decal Mt. Plate (at rear of dryer) | | 000 8173 | 9 | 5/16" Flatwasher |
| 4 | 121 3566 | 2 | Fan Hsg. Spacer Bar (Used between fan housings of middle and top modules on 1195) | | 000 8169 | 18 | 5/16-18 Flanged Locknut |
| | | | | 6 | 122 9008 | 1 | 3/4 Fan Guard Kit |
| | | | | 7 | 128 2757 | 1 | Fan Hsg. Support |
| | | | | 8 | 124 4834 | 1 | Fan Hsg. Top Cover |
| | | | | 9 | 128 0303 | 1 | Front Panel (For 8' module only) |
| | | | | | 128 0322 | 1 | Front Panel (For 5' module only) |
| | | | | | 128 0320 | 1 | Front Panel (for 8' base module only) |

NOTE 1: This decal is imprinted "Model 975." For other models, order one of 128 8331 and one of ref. 1 to be placed over "Model 975."

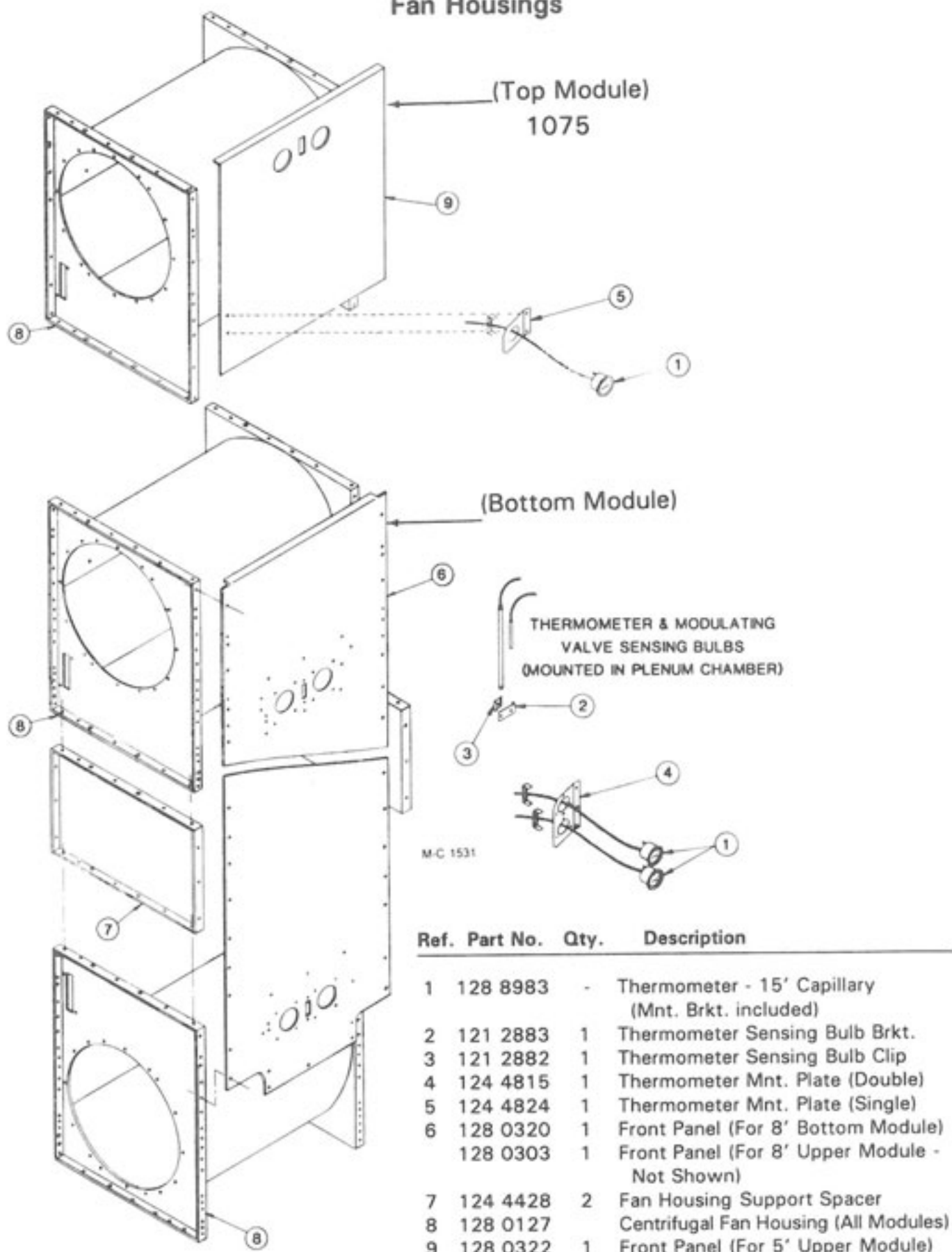
Continued on next page.

Fan Housing



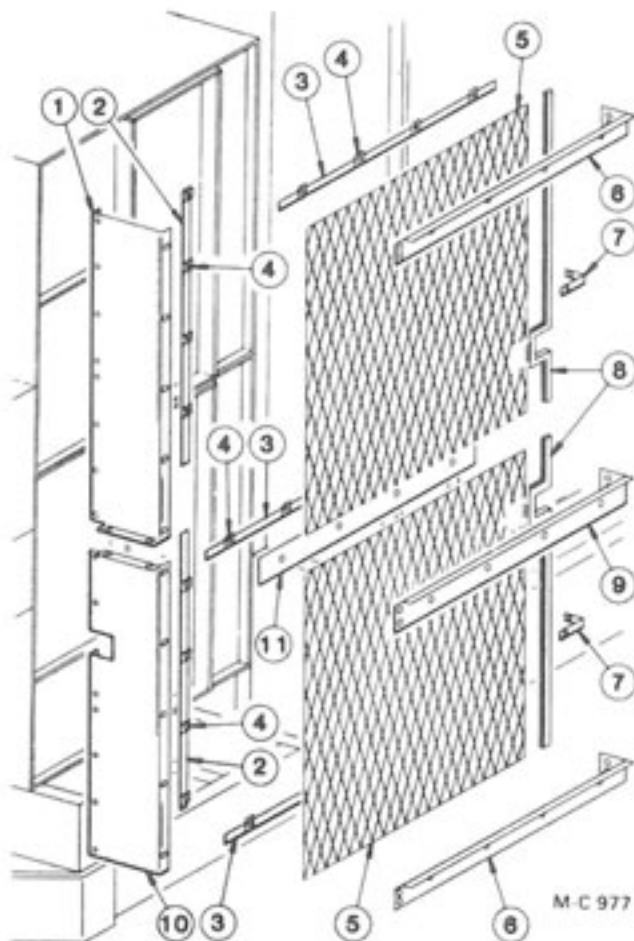
| Ref. | Part No. | Qty. | Description |
|------|----------|------|---------------------------------|
| 10 | 128 0142 | 1 | Burner Transition |
| | 120 8130 | 4 | 3/8-16 x 2" "J" Bolt |
| | 000 8119 | 3 | 3/8-16 x 3/4" Capscrew |
| | 000 8168 | 7 | 3/8-16 Flanged Locknut |
| 11 | 128 6929 | 2 | Two Piece Connector - 1" |
| 12 | 128 5746 | 2 | Probe Tube |
| 13 | 128 0127 | 1 | Centrifugal Fan Hsg. |
| 14 | 128 0086 | 1 | Vaporizer Mt. Plate (LP Gas) |
| 15 | 128 4940 | 1 | Vaporizer Hole Cover (Nat. Gas) |
| 16 | 121 8301 | 1 | Counterclockwise Arrow Decal |
| 17 | 122 9007 | 3 | Full Fan Guard Kit |
| 18 | 128 8322 | 1 | Clockwise Arrow Decal |
| 19 | 124 2857 | 1 | Seal Panel Between Fan Hsgs. |
| 20 | 124 4829 | 2 | Fan Guard Extension - Full |
| 21 | 124 4826 | 1 | Full Fan Guard |
| 22 | 124 4827 | 1 | 1/4 Fan Guard |

Fan Housings

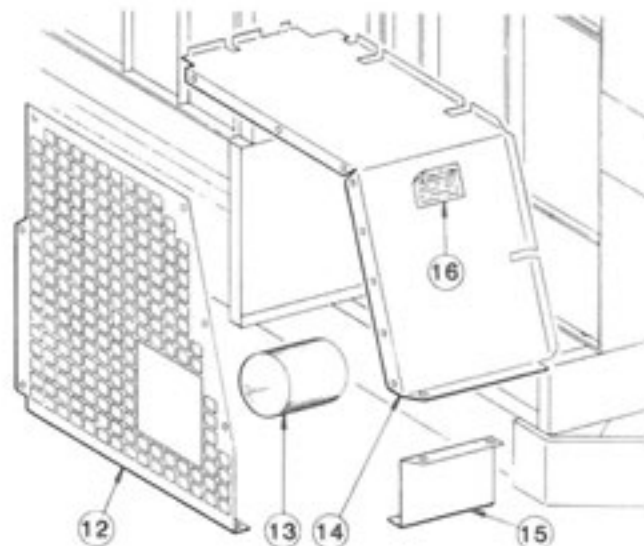


Fan Drive Belt and PTO Drive Guards

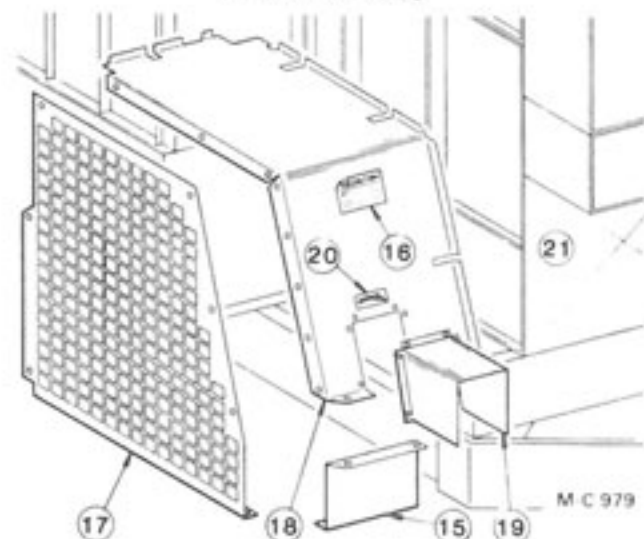
(Model 675 B115 & 975 B115)



| Ref. | Part No. | Qty. | Description |
|------|----------|------|------------------------------------|
| 1 | 128 4852 | 1 | Belt Guard - Upper |
| 2 | 128 2021 | 2 | Nut Retainer Bar - Vertical |
| 3 | 128 2020 | 3 | Nut Retainer Bar - Horizontal |
| 4 | 001 8111 | 30 | 5/16 - 18 Clip Nut |
| | 000 8108 | 30 | 5/16 - 18 x 1" Capscrew - Grd. 5 |
| 5 | 128 5745 | 2 | Guard Screen |
| 6 | 128 4854 | 2 | Belt Guard Support |
| 7 | 128 2022 | 2 | Screen Angle Brace |
| 8 | 121 8957 | 8 | Guard Edge - Rubber (Qty. in ft.) |
| 9 | 128 4853 | 1 | Belt Guard Center Support |
| 10 | 128 4851 | 1 | Belt Guard - Lower |
| 11 | 128 2742 | 1 | Horizontal Clamp Strap |
| 12 | 128 4713 | 1 | Guard Screen - Below S/N 48981 |
| | 128 1436 | 2 | Screen Mtg. Clip - Below S/N 48981 |
| | 128 4721 | 1 | Guard Screen - Above S/N 48980 |



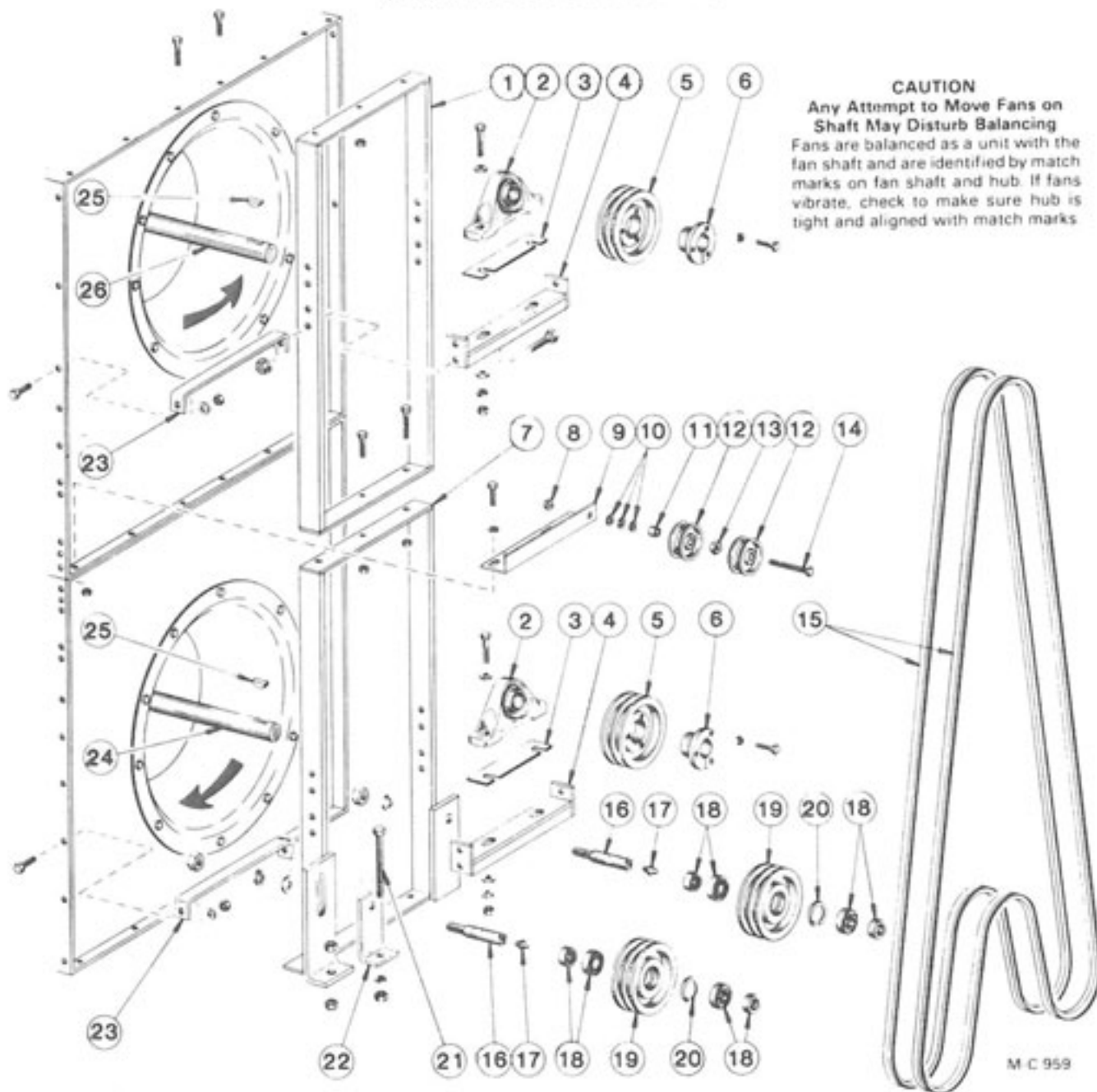
PTO Side Drive



PTO Front & Irrigation Drive

| Ref. | Part No. | Qty. | Description |
|------|----------|------|------------------------------------|
| 13 | 128 0199 | 1 | Shear Flange Guard |
| 14 | 128 4806 | 1 | Side Drive Guard |
| 15 | 128 4867 | 1 | Guard - Lower Front |
| 16 | 001 8314 | 1 | Caution Safety Decal |
| 17 | 127 4661 | 1 | Guard Screen - Below S/N 48981 |
| | 128 1436 | 1 | Screen Mtg. Clip - Below S/N 48981 |
| | 128 4659 | 1 | Guard Screen - Above S/N 48980 |
| 18 | 127 1067 | 1 | Front Drive Guard |
| 19 | 127 4775 | 1 | PTO Guard |
| 20 | 128 8322 | 1 | Clockwise Arrow Decal |
| 21 | 128 4817 | 1 | Fan Hsg. Cover Panel |

Fans and Fan Drive (Model 675 B115 & 975 B115)



CAUTION
Any Attempt to Move Fans on Shaft May Disturb Balancing
Fans are balanced as a unit with the fan shaft and are identified by match marks on fan shaft and hub. If fans vibrate, check to make sure hub is tight and aligned with match marks

| Ref. | Part No. | Qty. | Description |
|------|----------|------|------------------------------------|
| 1 | 128 0091 | 3 | Fan Brg. Support |
| | 000 8121 | 8 | 3/8-16x1" Capscrew |
| | 000 8168 | 8 | 3/8-16 Flanged Locknut |
| | 000 8135 | 4 | 1/2-13x1" Capscrew - Grd. 5 |
| | 000 8170 | 4 | 1/2-13 Flanged Locknut |
| 2 | 128 6022 | 4 | Pillow Block Brg.— 2-3/16" Bore |
| | 000 8268 | 2 | 3/8-11x3" Capscrew - Grd. 5 |
| | 000 8299 | 2 | 3/8" SAE Flatwasher |
| | 000 8181 | 2 | 3/8" Lockwasher |
| | 000 8164 | 2 | 3/8-11 Hex Nut |

| Ref. | Part No. | Qty. | Description |
|------|----------|------|---|
| 3 | 128 2849 | AR | Bearing Shim - 16 gauge |
| | 128 2649 | AR | Bearing Shim - 11 gauge |
| 4 | 128 0098 | 4 | Bearing Support |
| | 000 8138 | 3 | 1/2-13x1 1/2" Capscrew |
| | 000 8139 | 1 | 1/2-13x1 3/4" Capscrew |
| | 000 8170 | 4 | 1/2-13 Flanged Locknut |
| 5 | 128 6223 | 2 | Fan Drive Sheave (2C 9.0) |
| 6 | 128 6216 | 2 | "SF" Bushing - 2-3/16" Bore (Incl. capscrews & lockwashers) |

Continued on next page

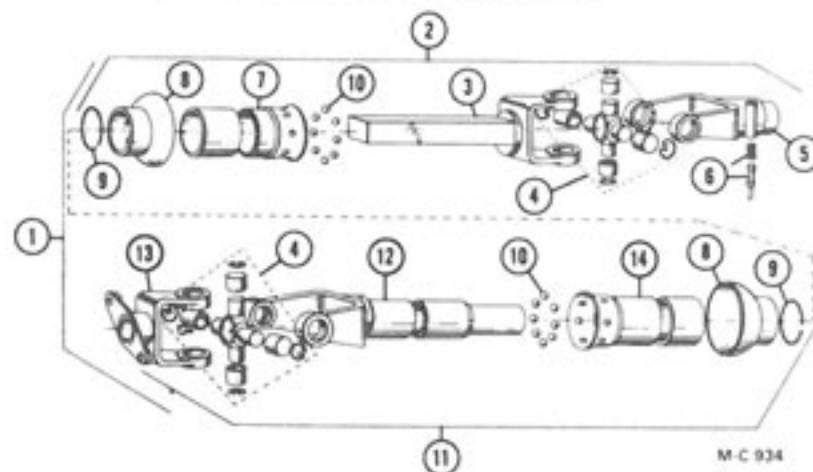
Fans and Fan Drive (Model 675 B115 & 975 B115)

| Ref. | Part No. | Qty. | Description | Ref. | Part No. | Qty. | Description |
|------|----------|------|---|------|----------|------|--|
| 7 | 128 0153 | 1 | Lower Drive Frame | 21 | 128 8233 | 1 | 3/4-10x8" Capscrew - Full Thread |
| | 000 8121 | 8 | 3/8-16x1" Capscrew | | 000 8182 | 1 | 3/4" Lockwasher |
| | 000 8168 | 8 | 3/8-16 Flanged Locknut | | 000 8165 | 3 | 3/4-10 Hex Nut |
| 8 | 000 8170 | 1 | 1/2-13 Flanged Locknut | 22 | 128 3470 | 1 | Fan Drive Tightener Drag |
| 9 | 124 4429 | 1 | Idler Bracket | 23 | 128 3452 | 4 | Bearing Mt. Stiffener |
| 10 | 001 8257 | 3 | 1/2" SAE Flatwasher | | 000 8121 | 2 | 3/8-16x1" Capscrew |
| 11 | 131 5592 | 2 | Spacer Sleeve | | 000 8168 | 2 | 3/8-16 Flanged Locknut |
| 12 | 001 6200 | 2 | Flat Back Idler - 4 1/8" OD - 1/2" Bore | | 000 8139 | 2 | 1/2-13x1 3/4" Capscrew |
| 13 | 000 8164 | 1 | 3/8-11 Hex Nut | | 000 8170 | 2 | 1/2-13 Flanged Locknut |
| 14 | 001 8168 | 1 | 1/2-13x4 1/2" Capscrew - Grd. 5 | 24 | 128 1399 | 1 | 10 HP Lower Fan Ass'y. - Model 675B (See note) |
| 15 | 128 6111 | 1 | Matched Set of Two CC-210 Belt | | 128 1293 | 1 | 15 HP Lower Fan Ass'y. - Model 975B (See note) |
| 16 | 128 5066 | 2 | "B" Model Idler Shaft | 25 | 001 8998 | 2 | 3/8" x 1 1/4" Woodruff Key |
| | 000 8276 | 1 | 1" SAE Flatwasher | 26 | 128 1441 | 1 | 15 HP Upper Fan Ass'y. - Model 675B (See note) |
| | 128 8231 | 1 | 1" Lockwasher | | 128 1292 | 1 | 20 HP Upper Fan Ass'y. - Model 975B (See note) |
| | 091 8231 | 1 | 1-8 Hex Nut | | | | |
| 17 | 002 6604 | 2 | Straight Zerk - 1/8" PT | | | | |
| 18 | 001 6017 | 4 | Idler Brg. - 1 1/4" w/Lock Collar | | | | |
| 19 | 128 6227 | 2 | Idler Pulley | | | | |
| 20 | 001 6602 | 2 | Snap Ring | | | | |

NOTE: Fan HP can be determined by measuring the the width of the fan wheels.

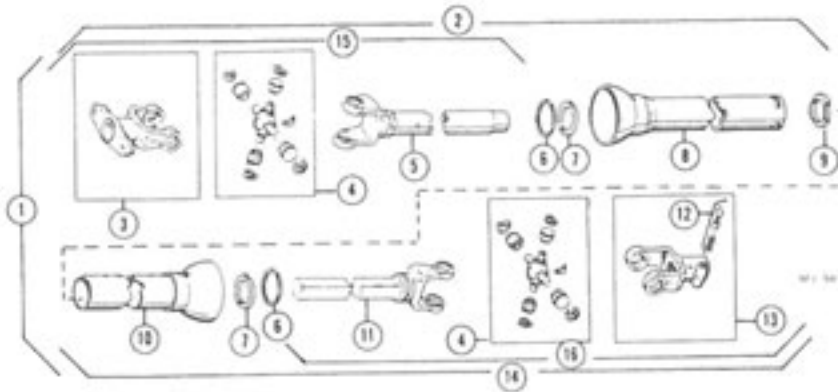
- A. 2 1/2" fan wheels - 5HP (Two fan wheels - 10HP)
- B. 3 3/8" fan wheels - 7 1/2HP (Two fan wheels - 15HP)
- C. 5 1/4" fan wheels - 10HP (Two fan wheels - 20HP)

540 RPM Side Drive Power Take-Off Shaft (Model 675 B115 and 975 B115)



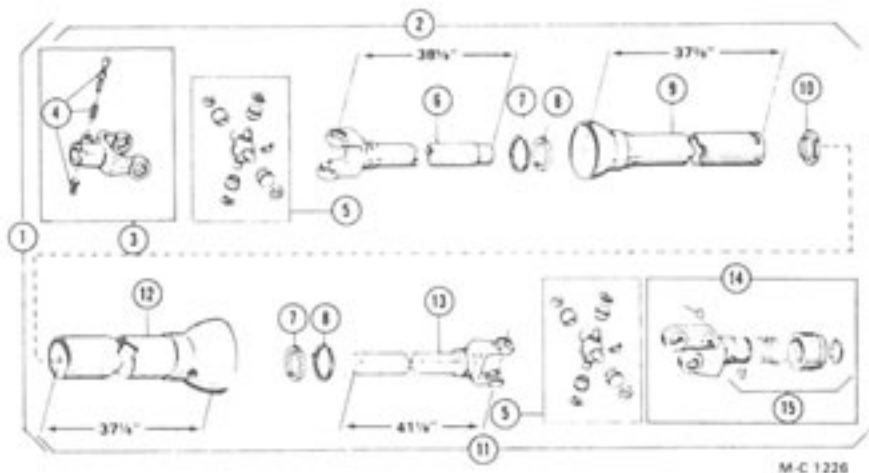
| Ref. | Part No. | Qty. | Description | Ref. | Part No. | Qty. | Description |
|------|----------|------|----------------------------|------|----------|------|----------------------------------|
| 1 | 001 6600 | 1 | PTO Shaft Complete | 9 | 002 6625 | 2 | External Snap Ring |
| 2 | 002 6620 | 1 | PTO Shaft (Tractor Half) | 10 | 002 6606 | 16 | 3/8" Diameter Ball |
| 3 | 002 6627 | 1 | Male Shaft and Yoke | 11 | 002 6621 | 1 | PTO Shaft (Machine Half) |
| 4 | 002 6628 | 2 | Universal Joint Repair Kit | 12 | 002 6622 | 1 | Yoke and Tube |
| 5 | 002 7651 | 1 | QD Yoke w/Pin & Spring | 13 | 002 7652 | 1 | Flange Yoke-1 1/4" Bore |
| 6 | 002 6629 | 1 | Saf-T-Pin & Spring Kit | 14 | 002 6623 | 1 | Male Guard Tube |
| 7 | 002 6624 | 1 | Female Guard Tube | — | 001 8317 | 1 | Danger-Rotating Drive Line-Decal |
| 8 | 002 6626 | 2 | Bell Shield | | | | |

1000 RPM Side Drive Power Take-Off Shaft (Model 675 B115 and 975 B115)



| Ref. | Part No. | Qty. | Description | Ref. | Part No. | Qty. | Description |
|------|----------|------|----------------------------|------|----------|------|----------------------------------|
| 1 | 001 6601 | 1 | PTO Shaft Complete | 10 | 002 6661 | 1 | Female Guard Tube |
| 2 | 002 6663 | 1 | PTO Shaft (Machine Half) | 11 | 002 6659 | 1 | Yoke and Shaft |
| 3 | 002 7652 | 1 | Flange Yoke-1 1/4" Bore | 12 | 002 6670 | 1 | Saf-T-Pin & Spring Kit |
| 4 | 002 6628 | 2 | Universal Joint Repair Kit | 13 | 002 6616 | 1 | QD Yoke |
| 5 | 002 6665 | 1 | Yoke and Tube | 14 | 002 6657 | 1 | PTO Shaft (Tractor Half) |
| 6 | 002 8250 | 2 | Nylon Bearing Retainer | 15 | 002 6664 | 1 | U-Joint & Tube Ass'y. |
| 7 | 002 6004 | 2 | Nylon Bearing | 16 | 002 6658 | 1 | U-Joint & Shaft Ass'y. |
| 8 | 002 6662 | 1 | Male Guard Tube | — | 001 8317 | 1 | Danger-Rotating Drive Line-Decal |
| 9 | 002 6613 | 1 | Nylon Centralizer | | | | |

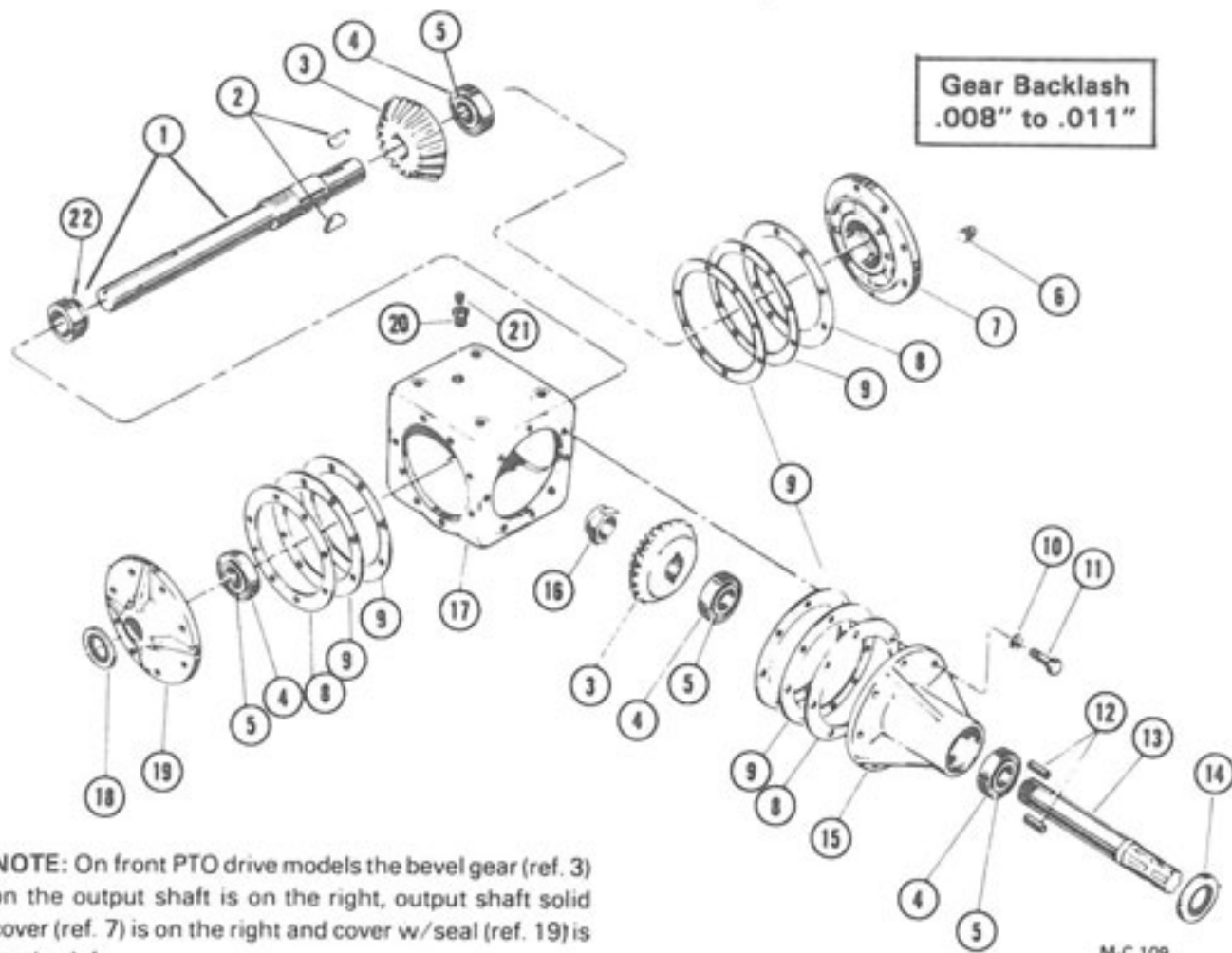
1000 RPM Front Drive Power Take-Off Shaft (Model 675 B115 and 975 B115)



| Ref. | Part No. | Qty. | Description | Ref. | Part No. | Qty. | Description |
|------|----------|------|-----------------------------------|------|----------|------|---|
| 1 | 113 6600 | 1 | PTO Shaft Complete | 9 | 112 6633 | 1 | Male Guard Tube |
| 2 | 112 6629 | 1 | PTO Shaft (Machine Half) | 10 | 002 6613 | 1 | Nylon Centralizer |
| 3 | 002 6686 | 1 | Q.D. Yoke Ass'y, 1 1/4"-6B Spline | 11 | 112 6637 | 1 | PTO Shaft (Tractor Half) |
| 4 | 002 6684 | 1 | Saf-T Pin & Spring Kit | 12 | 112 6628 | 1 | Female Guard Tube |
| 5 | 002 6633 | 2 | Universal Joint Repair Kit | 13 | 112 6624 | 1 | Yoke & Shaft |
| 6 | 112 6631 | 1 | Yoke & Tube | 14 | 002 6674 | 1 | Slide Lock Yoke Ass'y, 1 1/8"-21 Spline |
| 7 | 002 8250 | 2 | Nylon Bearing Retainer | 15 | 082 6612 | 1 | Slide Lock Repair Kit |
| 8 | 002 6634 | 2 | Nylon Bearing | — | 001 8317 | 1 | Danger - Rotating Drive Line-Decal |

PTO Front and Irrigation Drive Gear Box

(Model 675 B115 & 975 B115)



NOTE: On front PTO drive models the bevel gear (ref. 3) on the output shaft is on the right, output shaft solid cover (ref. 7) is on the right and cover w/ seal (ref. 19) is on the left.

127 1170 PTO Front Drive Gear Box Ass'y.

127 5716 Irrigation Drive Gear Box Ass'y.

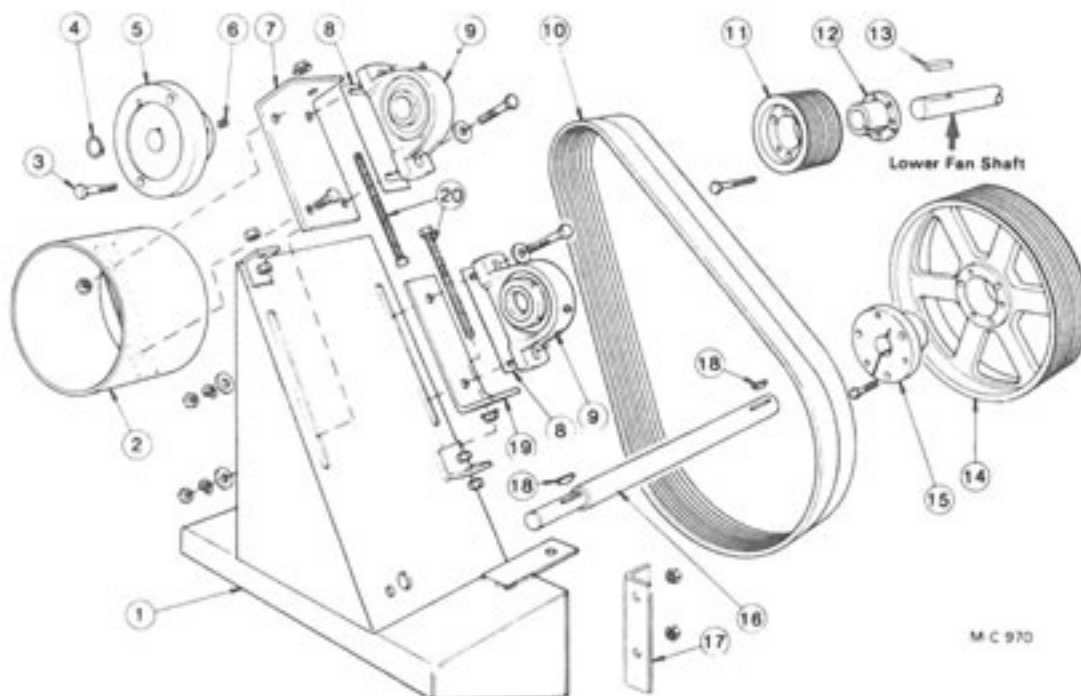
| Ref. | Part No. | Qty. | Description |
|------|----------|------|---|
| 1 | ----- | — | Output Shaft w/Stake Nut |
| | 127 5080 | 1 | Front PTO Drive |
| | 092 6621 | 1 | Irrigation Drive |
| 2 | 001 8988 | 2 | Woodruff Key $\frac{3}{8}$ x $1\frac{1}{2}$ " (Hard) |
| 3 | 002 6500 | 2 | Bevel Gear |
| 4 | 002 6010 | 4 | Bearing Cup |
| 5 | 002 6011 | 4 | Bearing Cone |
| 6 | 002 8000 | 1 | Oil Level Plug |
| 7 | 002 7655 | 1 | Cover, Solid (Includes 1 of ref. 4) |
| 8 | 002 6636 | AR | Shim .005" Thick |
| 9 | 092 6609 | 3 | Gasket - $\frac{1}{32}$ " Thick |
| 10 | 000 8180 | 24 | $\frac{1}{2}$ " Lockwasher |
| 11 | 131 8163 | 24 | $\frac{1}{2}$ -13 x $1\frac{1}{4}$ " Capscrew w/NY Patch - Grd. 5 |

| Ref. | Part No. | Qty. | Description |
|------|----------|------|---|
| 12 | 001 8969 | 2 | Key $\frac{3}{8}$ x $\frac{3}{8}$ x $1\frac{1}{8}$ " (Hard) |
| 13 | 002 6638 | 1 | Input Shaft |
| 14 | 002 6639 | 1 | Grease Seal (Input Shaft) |
| 15 | 002 7656 | 1 | Hub (Includes 2 of ref. 4) |
| 16 | 002 6668 | 1 | Stake Nut (Input Shaft) |
| 17 | 002 7654 | 1 | Gear Box Housing |
| 18 | 002 6667 | 1 | Grease Seal (Output Shaft) |
| 19 | 002 7657 | 1 | Cover, Output Shaft (Includes 1 of ref. 4 & 1 of ref. 18) |
| 20 | 002 6678 | 1 | Reducing Bushing - $\frac{3}{8}$ " to $\frac{1}{2}$ " NPT |
| 21 | 002 6677 | 1 | Gear Box Vent - $\frac{1}{8}$ " NPT |
| 22 | 112 8252 | 1 | Stake Nut (Output Shaft) |
| — | 000 8991 | — | Pint of Mobilfluid 423 Lubricant |

| Ref. | Part No. | Qty. | Description |
|------|----------|------|---------------------------------------|
| | 127 6205 | 1 | 8/3V/5.6 Sheave - 1875 RPM |
| | 123 6215 | 1 | 8/3V/5.0 Sheave - 2112 RPM |
| 13 | 127 6203 | 1 | "SF" Bushing - 1 3/4" Bore - 1000 RPM |

| Ref. | Part No. | Qty. | Description |
|------|----------|------|--|
| | 127 6204 | 1 | "SK" Bushing - 1 3/4" Bore - 1760, 1875 & 2112 RPM |
| 14 | 001 5139 | 1 | Key - 3/8" x 3" |
| 15 | 127 3404 | 2 | Gear Box Mt. Stiffener |
| 16 | 128 2384 | 2 | Reinforcing Angle |

PTO Side Drive Assembly (Model 675 B115 & 975 B115)



| Ref. | Part No. | Qty. | Description |
|------|----------|------|--|
| 1 | 128 0198 | 1 | Jack Shaft Base |
| | 133 8161 | 4 | 1/2-13 x 1 1/2" Capscrew-Grd. 5 |
| | 000 8135 | 2 | 1/2-13 x 1" Capscrew-Grd. 5 |
| | 000 8175 | 6 | 1/2" Flatwasher |
| | 000 8170 | 6 | 1/2-13 Flanged Locknut |
| 2 | 128 0199 | 1 | Shear Flange Guard |
| 3 | 001 8133 | 4 | Special Shear Bolts-3/8-16 x 2 1/4" |
| 4 | 001 8250 | 1 | Snap Ring-1 1/4" |
| 5 | 128 5197 | 1 | Shear Flange |
| 6 | 001 8178 | 2 | Set Screw-3/8-16 x 3/8" |
| 7 | 128 3527 | 1 | Outer Brg. Adj. Brkt. |
| 8 | 128 2854 | AR | Bearing Shim |
| 9 | 121 6003 | 2 | Pillow Block Brg.-1 1/4" |
| 10 | 128 6106 | 1 | Banded Belt-540 RPM (Matched set of two 4/3V 800) |
| | 127 6101 | 1 | Banded Belt-1000 RPM (Matched set of two 4/3V 630) |

| Ref. | Part No. | Qty. | Description |
|------|----------|------|---|
| 11 | 120 6215 | 1 | Sheave-8/3V/6.0 (SK) |
| 12 | 128 6228 | 1 | "SK" Bushing-2-3/16" Bore |
| 13 | 001 5150 | 1 | Key-1/2" x 3/8" x 2" |
| 14 | 121 6225 | 1 | Sheave-8/3V/19.0 (540 RPM) |
| | 123 6214 | 1 | Sheave-8/3V/10.6 (1000 RPM) |
| 15 | 121 6226 | 1 | "E" Bushing-1 1/2" Bore (540 RPM) |
| | 121 6236 | 1 | "SF" Bushing-1 1/2" Bore (1000 RPM) |
| 16 | 128 5064 | 1 | PTO Jack Shaft |
| 17 | 128 2384 | 2 | Reinforcing Angle |
| 18 | 001 8998 | 2 | Woodruff Key-3/8" x 1 1/4" |
| 19 | 128 3526 | 1 | Inner Brg. Adj. Brkt. |
| 20 | 128 8162 | 2 | 1/2-13 x 8" Full Thread Capscrew-Grd. 5 |
| | 000 8170 | 2 | 1/2-13 Flanged Locknut |
| | 000 8175 | 2 | 1/2" Flatwasher |
| | 000 8163 | 2 | 1/2-13 Hex Nut |

LP Gas Liquid Lines

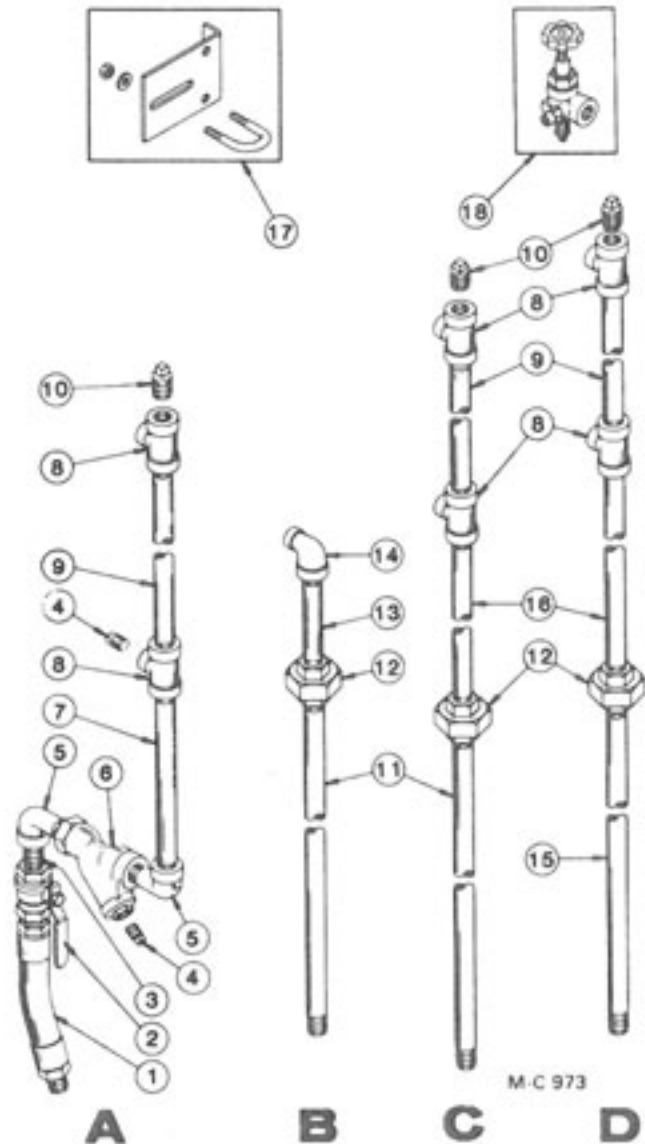
Liquid Line Assemblies

| Ref. | Part No. | Description |
|------|----------|---|
| A | 128 1519 | Lower Section Standpipe - All Models (See note) |
| B | 128 1521 | 5' Module Standpipe - Model 775, 885, 1075 & 1185 |
| C | 128 1520 | 8' Module Standpipe - Model 875 & 1175 Top Module and Model 885, 895, 1185 & 1195 Middle Module |
| D | 128 1558 | 8' Module Standpipe - Model 895 & 1195 Top Module |
| E | 128 1522 | Liquid Control Line - All Models |
| F | 127 1060 | Vaporizer to Manifold Line |

NOTE: If equipped with optional Safety Control Fire Alarm w/Safety Shut-off Valve - see page 40

Standpipes

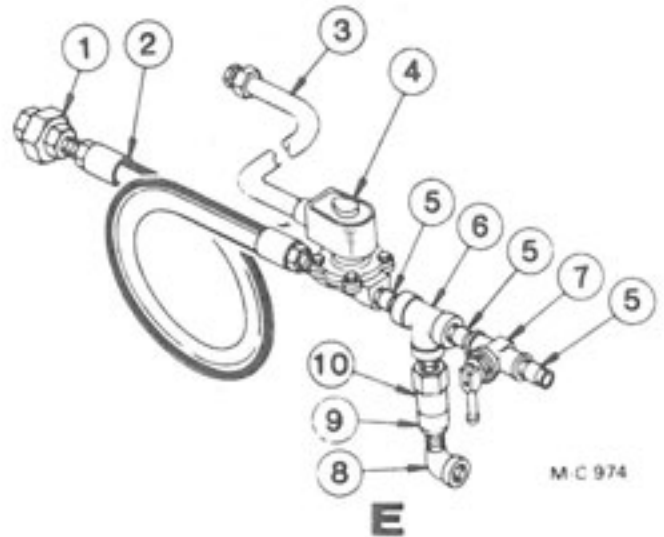
| Ref. | Part No. | Description |
|------|----------|----------------------------------|
| 1 | 121 7026 | Inlet Hose - 1" |
| 2 | 128 8012 | Hand Valve - 1" |
| 3 | 125 8030 | 1" Close Extra Hvy. Nipple |
| 4 | 121 8081 | ½" Pipe Plug |
| 5 | 125 8028 | 1" - 90° Extra Hvy. Street Elbow |
| 6 | 125 8095 | 1" Strainer |
| 7 | 129 8003 | 1" x 28-¾" Extra Hvy. Nipple |
| 8 | 125 8018 | 1" x 1" x ½" Extra Hvy. Tee |
| 9 | 128 8055 | 1" x 16½" Extra Hvy. Nipple |
| 10 | 128 8047 | 1" Pipe Plug |
| 11 | 128 8040 | 1" x 55½" Extra Hvy. Nipple |
| 12 | 125 8031 | 1" Extra Hvy. Union |
| 13 | 128 8043 | 1" x 6" Extra Hvy. Nipple |
| 14 | 121 8043 | 1" to ½" - 90° Extra Hvy. Elbow |
| 15 | 128 8059 | 1" x 39½" Extra Hvy. Nipple |
| 16 | 128 8042 | 1" x 34½" Extra Hvy. Nipple |
| 17 | 128 2670 | Liquid Line Support |
| | 001 8123 | 5/16 - 18 x 1½" "U" Bolt |
| | 000 8106 | 5/16 - 18 x ¾" Capscrew |
| | 000 8169 | 5/16 - 18 Flanged Locknut |
| 18 | 121 7021 | LP Gas Tank Valve |



LP Gas Liquid Lines

Liquid Control Line

| Ref. | Part No. | Description |
|------|----------|------------------------------|
| 1 | 121 8022 | ½" Extra Hvy. Union |
| 2 | 128 8400 | ½" ID x 34" Hose w/Couplings |
| 3 | 128 1820 | ⅜" Flexible Conduit |
| 4 | 125 7082 | ½" Solenoid Valve |
| 5 | 121 8094 | ½" x 1½" Extra Hvy. Nipple |
| 6 | 120 8035 | ½" Extra Hvy. Tee |
| 7 | 121 7015 | Hand Valve - ½" |
| 8 | 121 8048 | ½" - 90° Std. Street Elbow |
| 9 | 121 7014 | Relief Valve Adapter |
| 10 | 121 7013 | Relief Valve |

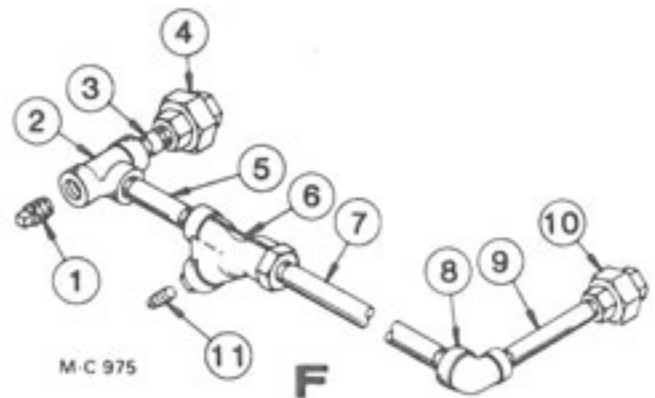


Solenoid Valve Repair Kit

The repair kit and coil for the ½" solenoid valve (ref. 4) is shown on page 38.

Vaporizer to Manifold Pipe

| Ref. | Part No. | Description |
|------|----------|---|
| 1 | 128 8000 | ⅜" Pipe Plug |
| 2 | 121 8031 | ⅜" Extra Hvy. Tee |
| 3 | 125 8058 | ⅜" x 2½" Extra Hvy. Nipple (Not B115) |
| | 121 8092 | ⅜" x 4" Extra Hvy. Nipple (B115 only) |
| 4 | 121 8072 | ⅜" Extra Hvy. Union |
| 5 | 127 8009 | ⅜" x 3½" Extra Hvy. Nipple |
| 6 | 121 8060 | ⅜" Strainer |
| 7 | 127 8023 | ⅜" x 32½" Extra Hvy. Nipple |
| 8 | 121 8032 | ⅜" to ½" - 90° Extra Hvy. Elbow |
| 9 | 121 8064 | ½" x 7" Extra Hvy. Nipple (Not B115) |
| | 129 8026 | ½" x 9½" Extra Hvy. Nipple (B115 only) |
| 10 | 121 8022 | ½" Extra Hvy. Union |
| 11 | 001 8001 | ⅜" Pipe Plug |



LP and Natural Gas Manifolds

REPAIR KITS AND PARTS FOR MODULATING VALVES, SOLENOID VALVES AND LP GAS PRESSURE REGULATORS

For Modulating Valves 123 7002 & 123 7024

122 9993 Seat Kit (Incl. stem, disc holder & diaphragm)

122 7006 Diaphragm

For 1 1/4" Solenoid Valve 128 7001

122 7034 Repair Kit (See note)

--- 4607 Coil

For 1/2" Solenoid Valve 125 7082

122 7039 Repair Kit (See note)

122 7001 Coil

NOTE: Kit includes all internal parts that would require replacement in normal service and installation instructions.

For LP Gas Pressure Regulator 128 7005

122 7043 - Diaphragm (Nitrile)

122 7044 - Disc Assembly

122 7045 - Control Spring (Yellow)

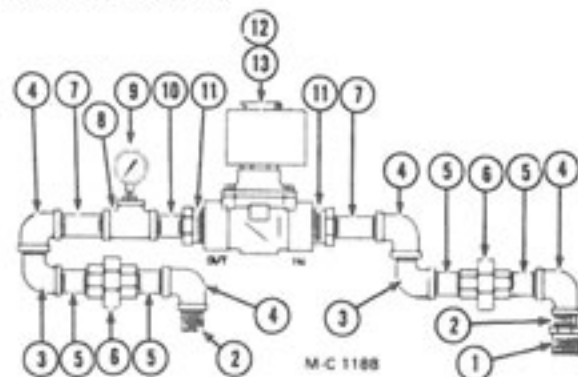
122 7046 - Stabilizer

122 7047 - Diaphragm Case O Ring

| Ref. | Part No. | Description |
|------|----------|--|
| 1 | 128 8029 | 1" Std. Union Elbow-90° |
| 2 | 128 8013 | 1" Std. Close Nipple |
| 3 | 128 8016 | 1" Std. Elbow - 90° |
| 4 | 122 7023 | Power Element 90°-210°F (15' Capillary) Code "B" Optional |
| | 122 7036 | Power Element 140°-250°F (15' Capillary) Code "D" Standard |
| 5 | 128 8058 | 1" x 10 1/2" Std. Nipple |
| 6 | 128 8007 | 1 1/4" x 1" x 1" Std. Tee |
| 7 | 127 8016 | 1 1/4" x 5 1/2" Std. Nipple |
| 8 | 123 8046 | 1 1/4" x 7 1/2" Std. Nipple |
| 9 | 128 8065 | 1 1/4" x 11" Std. Nipple |
| 10 | 123 8051 | 1 1/4" Std. Elbow - 90° |
| 11 | 127 8021 | 1 1/4" x 9 1/2" Std. Nipple |
| 12 | 123 8073 | 1 1/4" x 6 1/2" Std. Nipple |
| 13 | 123 8069 | 1 1/4" Std. Close Nipple |
| 14 | 123 8045 | 1 1/4" x 2 1/2" Std. Nipple |
| 15 | 123 7024 | 1 1/4" Modulating Valve w/ 140°- 250°F Power Element 1 1/4" x 8 1/2" Std. Nipple |
| 16 | 129 8033 | 1 1/4" Main Hand Valve |
| 17 | 123 7003 | 1 1/4" x 5 Std. Nipple |
| 18 | 128 8024 | 1 1/4" x 1 1/4" x 3/8" Std. Tee |
| 19 | 127 8131 | Pressure Gauge |
| 20 | 120 7002 | 3/8" to 1/4" Reducing Bushing |
| 21 | 127 8132 | 1 1/4" x 3 1/2" Std. Nipple |
| 22 | 128 8003 | 1 1/4" Solenoid Valve |
| 23 | 128 7001 | 3/8" Pipe Plug |
| 24 | 001 8001 | 1 1/4" x 3/4" Std. Reducing Bushing |
| 25 | 123 8078 | 3/4" x 3" Std. Nipple |
| 26 | 121 8069 | LP Gas Pressure Reg. (Replaces 121 7006) |
| 27 | 128 7005 | 3/4" x 8" Extra Hvy. Duty Nipple |

Gas Manifold Low Fire Piping and Solenoid (Used with Base Section Controls)

| Ref. | Part No. | Qty. | Description |
|------|----------|------|------------------------------|
| 2 | 128 5464 | 2 | 3/8" Std. Close Nipple |
| 3 | 128 5467 | 2 | 3/8" Std. Street Elbow - 90° |
| 4 | 128 5468 | 4 | 3/8" Std. Elbow - 90° |
| 5 | 128 5462 | 5 | 3/8" x 1 1/2" Std. Nipple |
| 6 | 128 5469 | 2 | 3/8" Std. Union |
| 7 | 128 5463 | 2 | 3/8" x 2" Std. Nipple |
| 8 | 128 5466 | 1 | 3/8" Std. Tee |
| 9 | 120 7002 | 1 | Pressure Gauge |
| 11 | 128 5465 | 2 | 3/8" x 3/8" Reducing Bushing |
| 12 | 121 7002 | 1 | 3/8" Solenoid Valve |
| 13 | 122 7035 | 1 | Repair Kit for Ref. 12 |
| | 122 7001 | 1 | Coil for Ref. 12 |

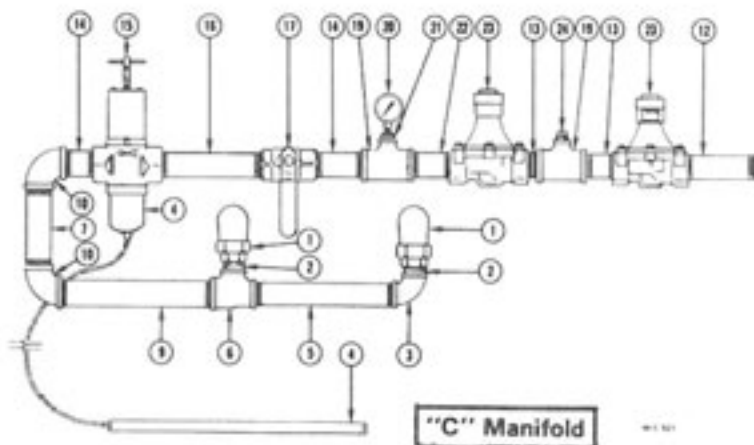
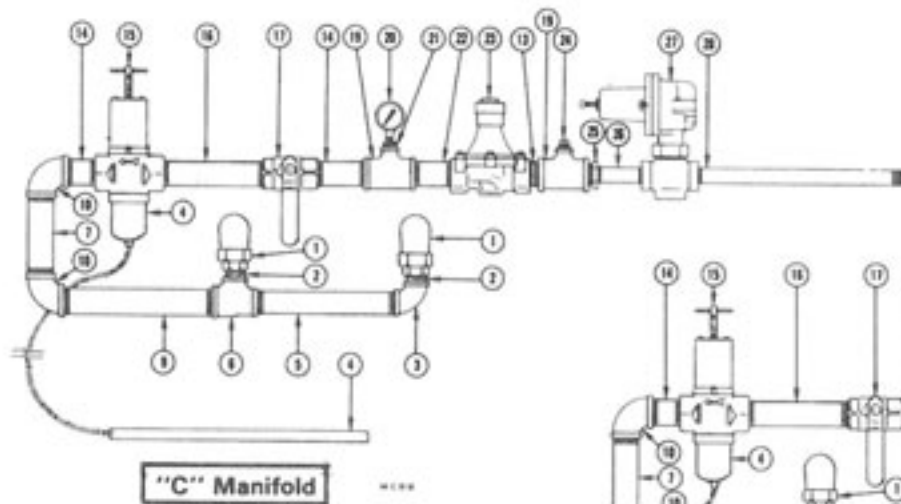
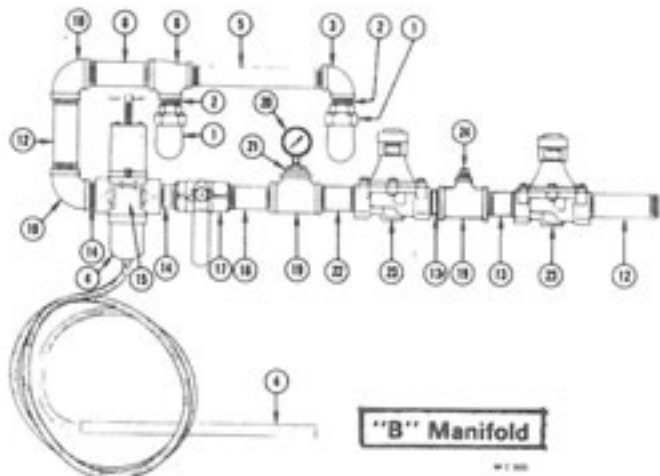
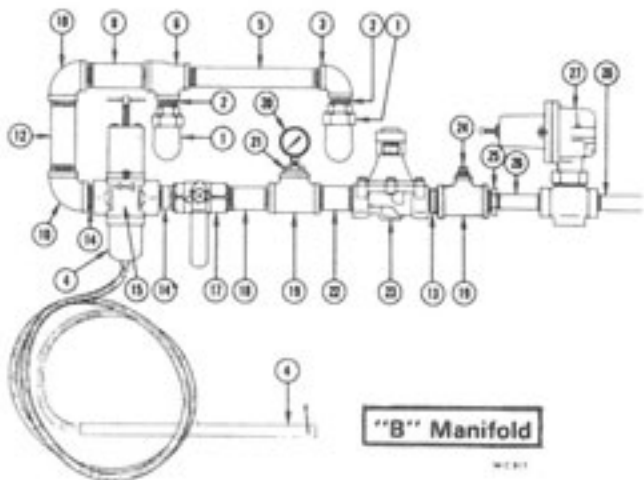
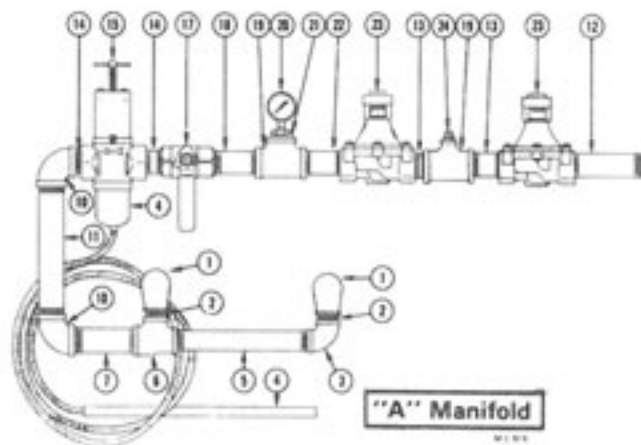
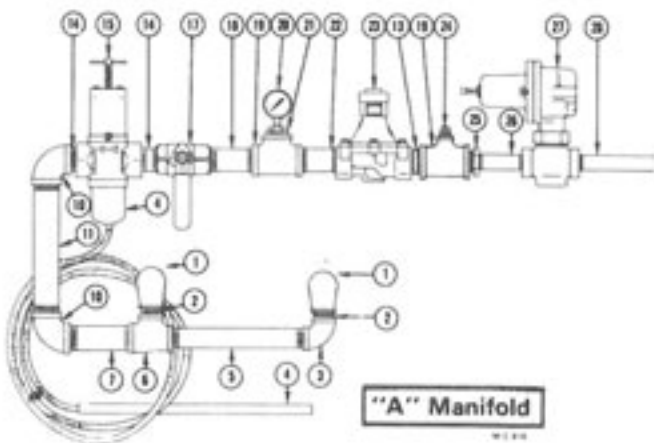


Allen Kieky

LP and Natural Gas Manifolds

LP Gas Manifolds

Natural Gas Manifolds

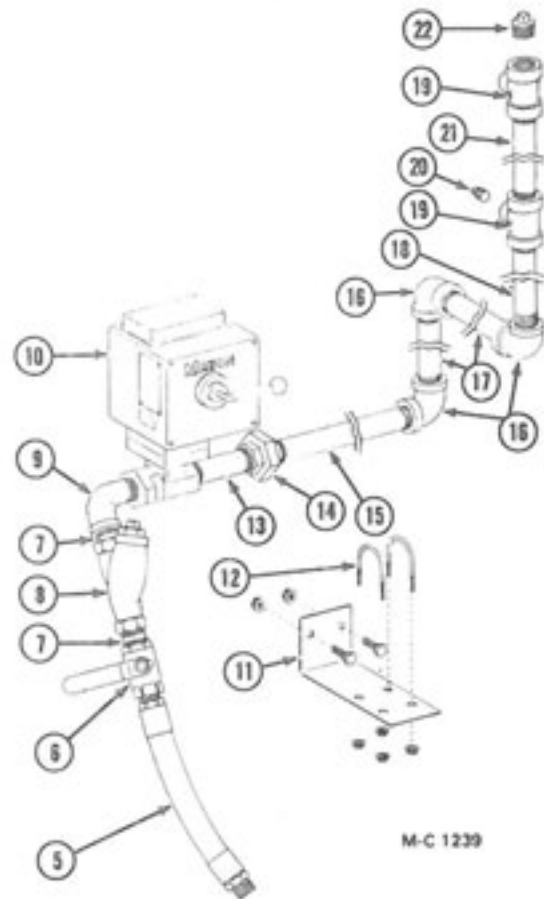


Safety Control Fire Alarm w/Safety Shut-Off Valve (Optional)

NOTE: LP Gas piping is shown. Natural Gas piping to be supplied by customer. Natural Gas manual reset valve is shown under ref. 10.

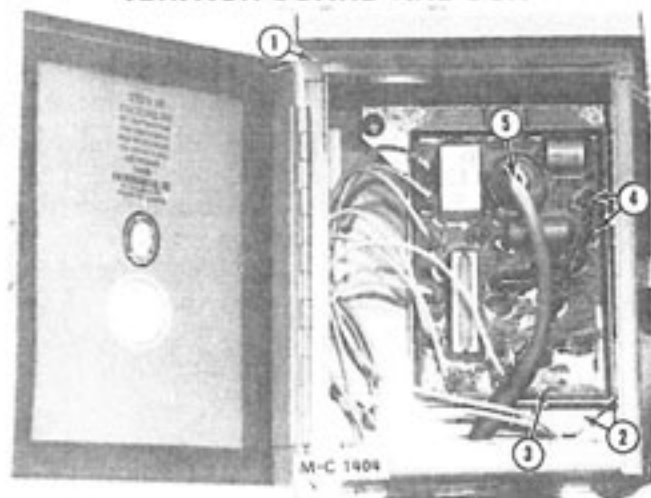
| Ref. | Part No. | Qty. | Description | |
|------|----------|----------|-------------------------------------|-------------------------|
| 1 | 121 6956 | — | Linear Limit Control (138") | |
| | 128 6850 | — | Linear Limit Control (92") | |
| | 127 5713 | — | Linear Tubing (93") | |
| | 127 5712 | — | Linear Tubing (140") | |
| | 121 6893 | — | Strain Relief Connector | |
| | 2 | 123 6854 | 1 | Light Fixture Complete |
| | | 123 6898 | 1 | Red Glass Globe |
| | | 125 6823 | 1 | 100W Rough Service Bulb |
| | 3 | 123 6868 | 1 | Horn (Alarm Buzzer) |
| | 4 | 128 2643 | — | Bracket |
| | | 125 6900 | — | ½" Bushing |
| 5 | 121 7026 | 1 | Inlet Hose - 1" | |
| 6 | 128 8012 | 1 | Hand Valve - 1" | |
| 7 | 125 8030 | 2 | 1" Close Extra Hvy. Nipple | |
| 8 | 125 8095 | 1 | 1" Strainer | |
| 9 | 125 8028 | 1 | 1" 90° Extra Hvy. Street Elbow | |
| 10 | 123 7027 | 1 | 1" Manual Reset Valve - LP Gas | |
| | 123 7028 | 1 | 2" Manual Reset Valve - Natural Gas | |
| 11 | 124 4225 | 1 | Manual Reset Valve Brkt. | |
| | 001 8135 | 2 | ¾-16 x 1" Capscrew - Grd. 5 | |
| | 000 8168 | 2 | ¾-16 Flanged Locknut | |
| 12 | 123 8110 | 2 | 5/16-18 x 1¾" "U" Bolt | |
| | 000 8169 | 2 | 5/16-18 Flanged Locknut | |
| 13 | 125 8017 | 1 | 1" x 5" Extra Hvy. Nipple | |
| 14 | 125 8031 | 1 | 1" Extra Hvy. Union | |
| 15 | 128 8042 | 1 | 1" x 34½" Extra Hvy. Nipple | |
| 16 | 125 8026 | 3 | 1" x 90° Extra Hvy. Elbow | |
| 17 | 128 5411 | 2 | 1" x 15" Extra Hvy. Nipple | |
| 18 | 125 8025 | 1 | 1" x 12" Extra Hvy. Nipple | |
| 19 | 125 8018 | 2 | 1" x 1" x ½" Extra Hvy. Tee | |
| 20 | 121 8081 | 1 | ½" Pipe Plug | |
| 21 | 128 8055 | 1 | 1" x 16½" Extra Hvy. Nipple | |

| Ref. | Part No. | Qty. | Description |
|------|----------|------|----------------------------|
| 22 | 128 8047 | 1 | 1" Pipe Plug |
| 23 | 128 5731 | 2 | Fire Alarm Junc. Box |
| 24 | 121 6808 | 4 | 125V Indicator Lamp Ass'y. |



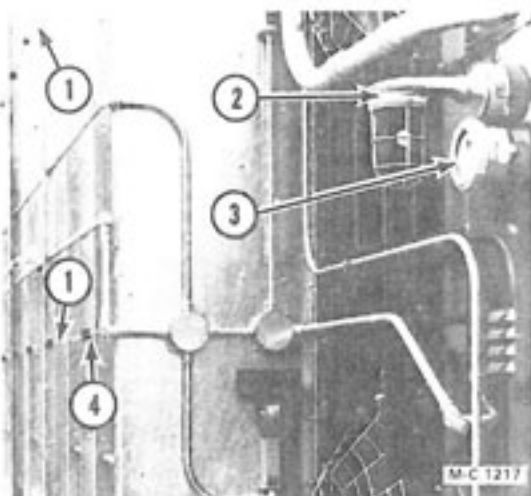
M-C 1239

IGNITION BOARD AND BOX



M-C 1404

| Ref. | Part No. | Qty. | Description |
|------|----------|------|--------------------------|
| 1 | 128 5995 | 1 | Ignition Box |
| 2 | 128 2938 | 1 | Ignition Board Mt. Plate |
| 3 | 121 6925 | 1 | 115V Ignition Board |
| 4 | 124 1079 | 2 | Low Voltage Wire Kit |
| 5 | 122 9003 | 1 | High Voltage Wire Kit |

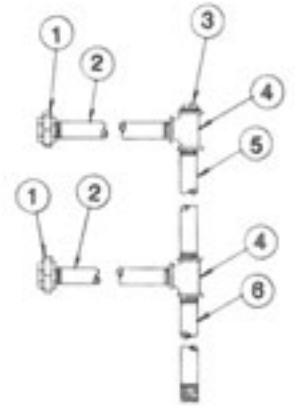


M-C 1217

Natural Gas Stand Pipe

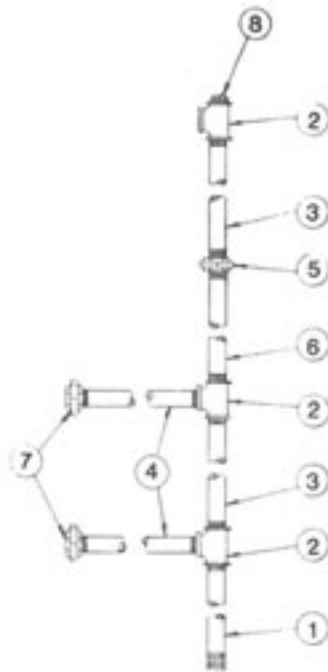
675 & 975

| Ref. | Part No. | Qty. | Description |
|------|----------|------|------------------------------|
| 1 | 123 8053 | 2 | 1 1/4" Union |
| 2 | 128 5458 | 2 | 1 1/4" x 26" Nipple |
| 3 | 125 8069 | 1 | 1 1/4" Pipe Plug |
| 4 | 123 8057 | 2 | 1 1/4" x 1 1/4" x 1 1/4" Tee |
| 5 | | 1 | 1 1/4" x 10" Nipple |
| 6 | 120 8068 | 1 | 1 1/4" x 36 1/2" Nipple |



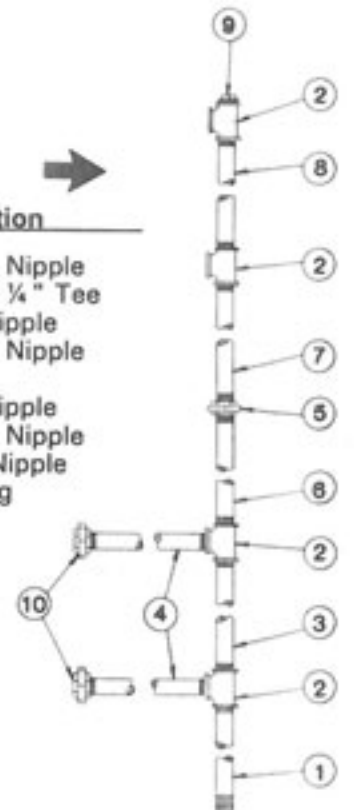
1075

| Ref. | Part No. | Qty. | Description |
|------|----------|------|----------------------|
| 1 | 120 8069 | 1 | 2" x 36 1/2" Nipple |
| 2 | 125 8014 | 3 | 2" x 2" x 1 1/4" Tee |
| 3 | 120 8069 | 1 | 2" x 10" Nipple |
| 4 | 128 5458 | 2 | 1 1/4" x 26" Nipple |
| 5 | 125 8032 | 1 | 2" Union |
| 6 | 128 5489 | 1 | 2" x 67" Nipple |
| 7 | 123 8053 | 2 | 1 1/4" Union |
| 8 | 125 8054 | 1 | 2" Pipe Plug |



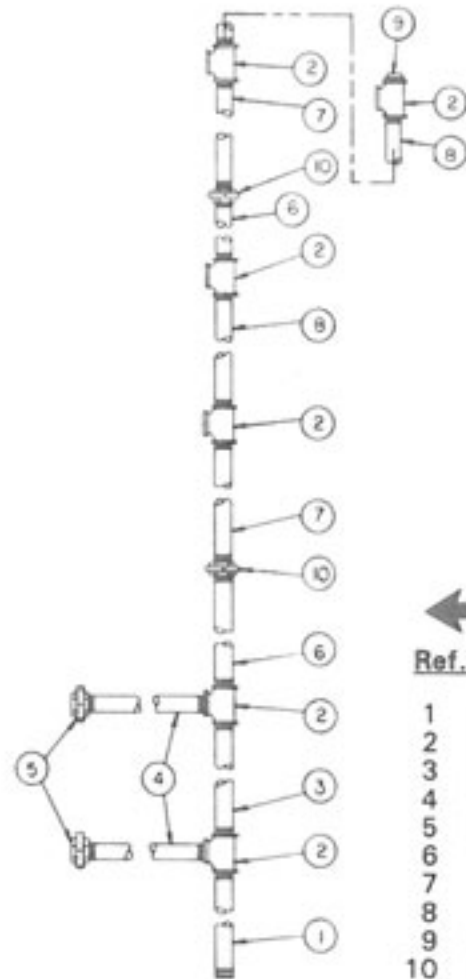
1175

| Ref. | Part No. | Qty. | Description |
|------|----------|------|----------------------|
| 1 | 120 8069 | 1 | 2" x 36 1/2" Nipple |
| 2 | 125 8014 | 4 | 2" x 2" x 1 1/4" Tee |
| 3 | 120 8069 | 1 | 2" x 10" Nipple |
| 4 | 128 5458 | 2 | 1 1/4" x 26" Nipple |
| 5 | 125 8032 | 1 | 2" Union |
| 6 | 128 5489 | 1 | 2" x 67" Nipple |
| 7 | | 1 | 2" x 30 1/2" Nipple |
| 8 | | 1 | 2" x 5 1/2" Nipple |
| 9 | 125 8054 | 1 | 2" Pipe Plug |
| 10 | 123 8053 | 2 | 1 1/4" Union |

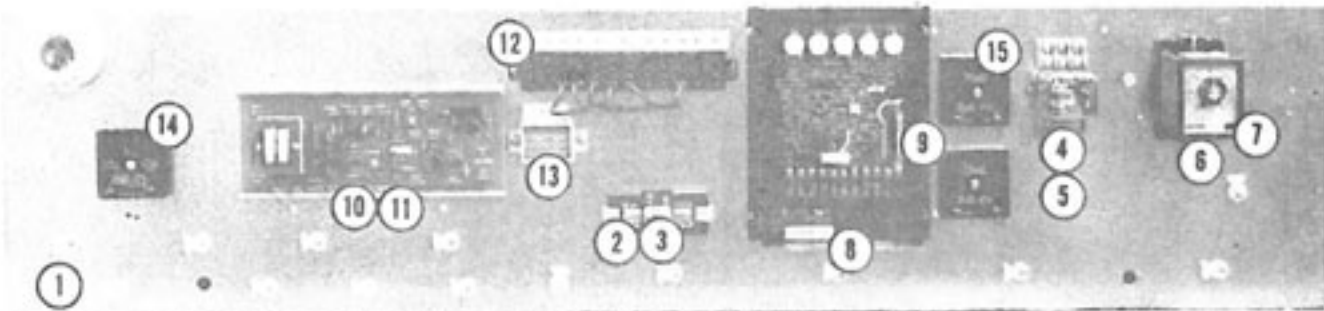


1195

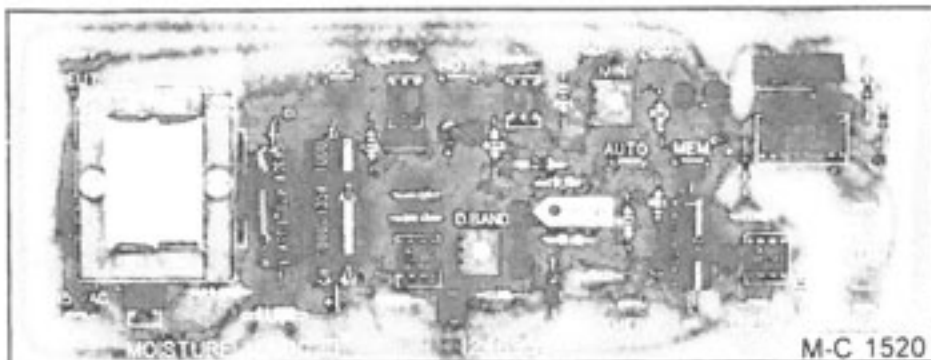
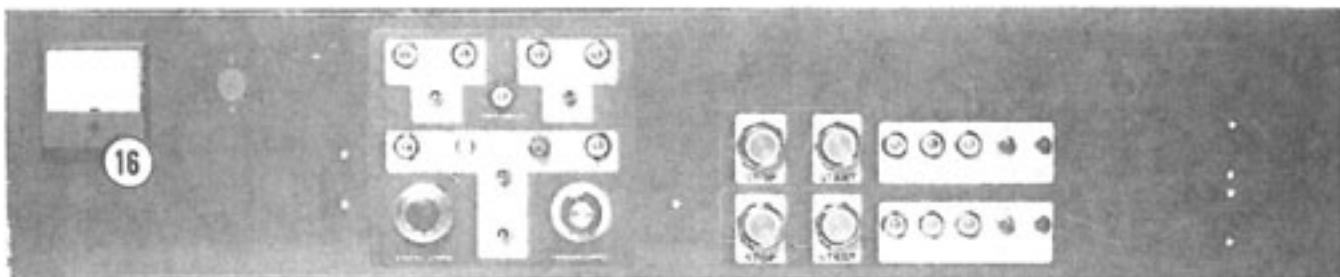
| Ref. | Part No. | Qty. | Description |
|------|----------|------|----------------------|
| 1 | 128 5492 | 1 | 2" x 36 1/2" Nipple |
| 2 | 125 8014 | 6 | 2" x 2" x 1 1/4" Tee |
| 3 | 120 8069 | 1 | 2" x 10" Nipple |
| 4 | 128 5458 | 2 | 1 1/4" x 26" Nipple |
| 5 | 123 8053 | 2 | 1 1/4" Union |
| 6 | 128 5489 | 2 | 2" x 67 1/2" Nipple |
| 7 | | 2 | 2" x 30 1/2" Nipple |
| 8 | | 2 | 2" x 5 1/2" Nipple |
| 9 | 125 8054 | 1 | 2" Pipe Plug |
| 10 | 125 8032 | 2 | 2" Union |



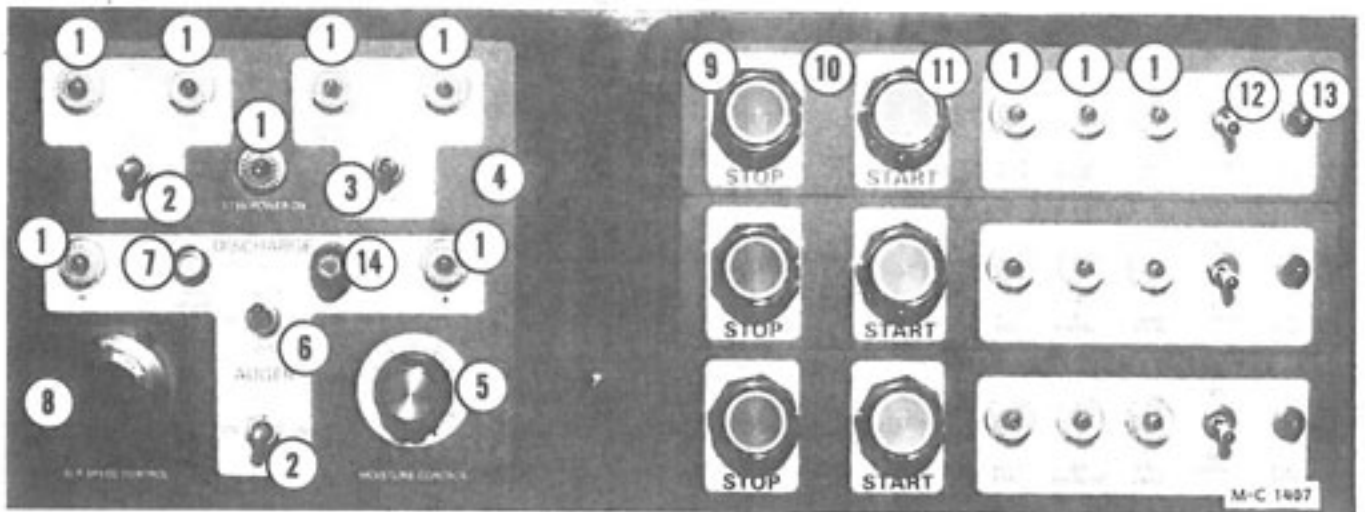
Electrical Components In 115V Control Cabinet



| Ref. | Part No. | Description |
|------|----------|--|
| 1 | 124 4806 | Component Mounting Board |
| 2 | 128 6851 | Fuse Holder |
| 3 | 128 6967 | 10 Amp Fuse (NON-10) |
| 4 | 021 6810 | Relay Socket up to and including S/N 55241 |
| | 124 6972 | Relay Socket starting with S/N 55242 |
| 5 | 021 6809 | Relay |
| 6 | 021 6816 | Timer Socket up to and including S/N 55241 |
| | 124 6972 | Timer Socket starting with S/N 55242 |
| 7 | 021 6815 | 60 Minute Adjustable Timer up to and including S/N 55241 |
| | 124 6978 | 60 Minute Adjustable Timer starting with S/N 55242 |
| 8 | 124 6874 | SCR Board (Dart) |
| 9 | 121 6805 | 10 Amp. - GLH Fuse |
| 10 | 124 6957 | Moisture-Matic III |
| 11 | 128 5916 | Snap Track 8 1/2" |
| 12 | 124 6928 | Terminal Block 12-Position |
| 13 | 124 6929 | Terminal Block 3-Position |
| 14 | 124 6890 | .1 to 8 Minute Adjustable Level Auger Timer |
| 15 | 174 6831 | 10 Second Ignition Timer |
| 16 | 124 6936 | Discharge Meter |
| | 124 1081 | Resistor Assembly |

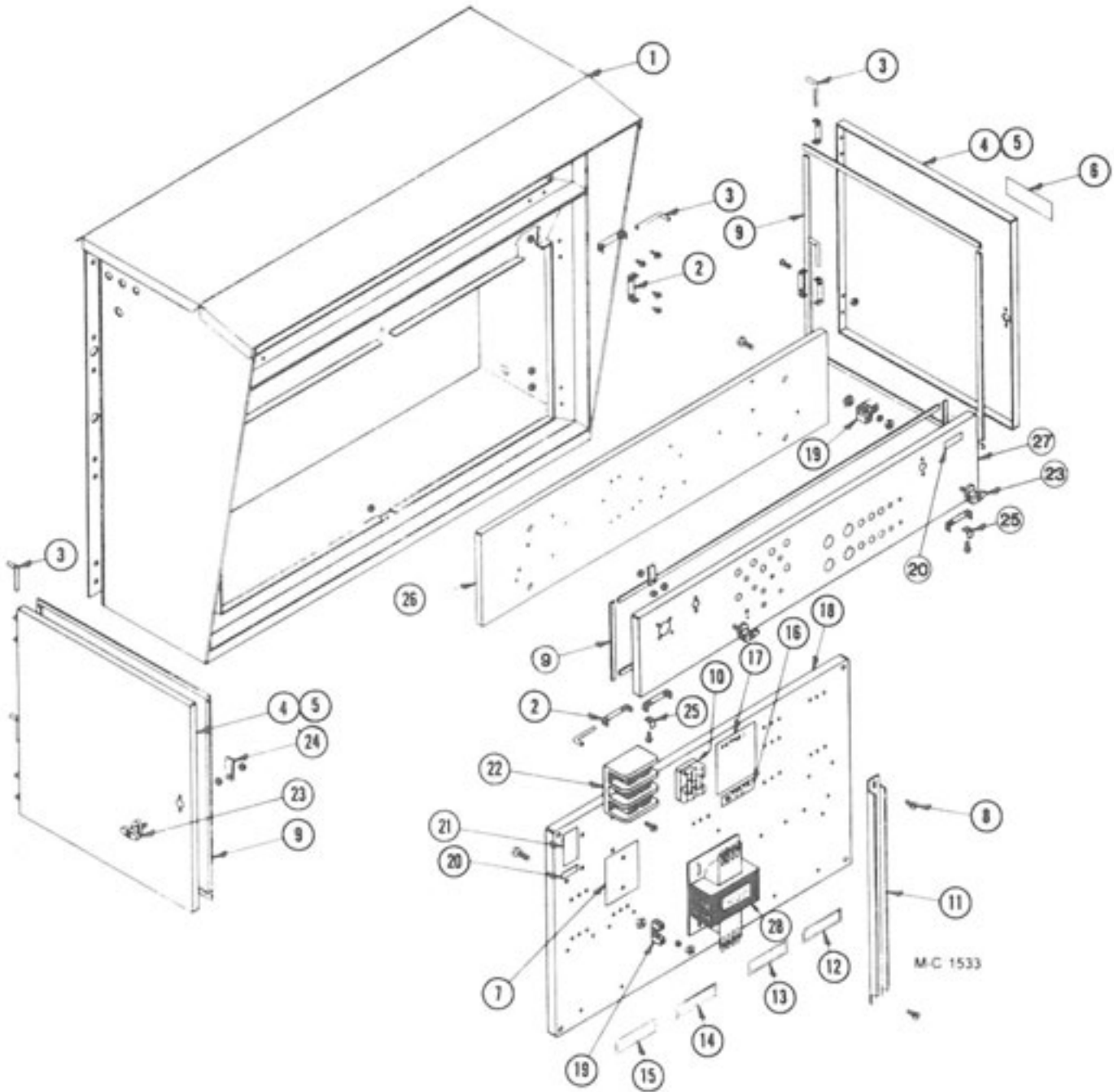


Control Panel Lights, Switches and Controls



| Ref. | Part No. | Description |
|------------|----------|---|
| 1 | 121 6808 | 125V Indicator Lamp Ass'y. (Incl. lamp & lens) |
| | 122 6810 | 125V Indicator Lamp |
| | 122 6800 | Indicator Lamp Lens (Clear) |
| 2 | 120 6827 | OFF-ON-ON Momentary Contact Toggle Switch |
| 3 | 121 6807 | ON-Off-ON Toggle Switch DPDT |
| 4 | 128 8365 | 115V Control Bezel |
| 5 | 124 6939 | Moisture Control Potentiometer w/ Wires |
| | 124 6941 | Knob |
| 6 | 121 6807 | ON-OFF-ON Toggle Switch DPDT |
| 7 | 124 6848 | 8 Amp. Circuit Breaker (SCR Drive) |
| 8 | 124 1089 | SCR Drive Potentiometer (10 turn w/ wire) |
| | 124 6892 | Multi-Dial |
| 9 | 128 6845 | Stop Button - Red |
| 10 | 128 8358 | Fan Control Bezel |
| 11 | 128 6844 | Start Button - Green |
| 12 | 121 6815 | ON-OFF Toggle Switch (SPST) |
| 13 | 122 6814 | Ignition Reset (0.1 Amp.) |
| 14 | 124 6938 | Fuse Holder |
| | 124 6937 | 1 Amp. Fuse Slo-Blow |
| Not shown: | | |
| | 124 6899 | High/Low Toggle Switch (Base Section Control) |

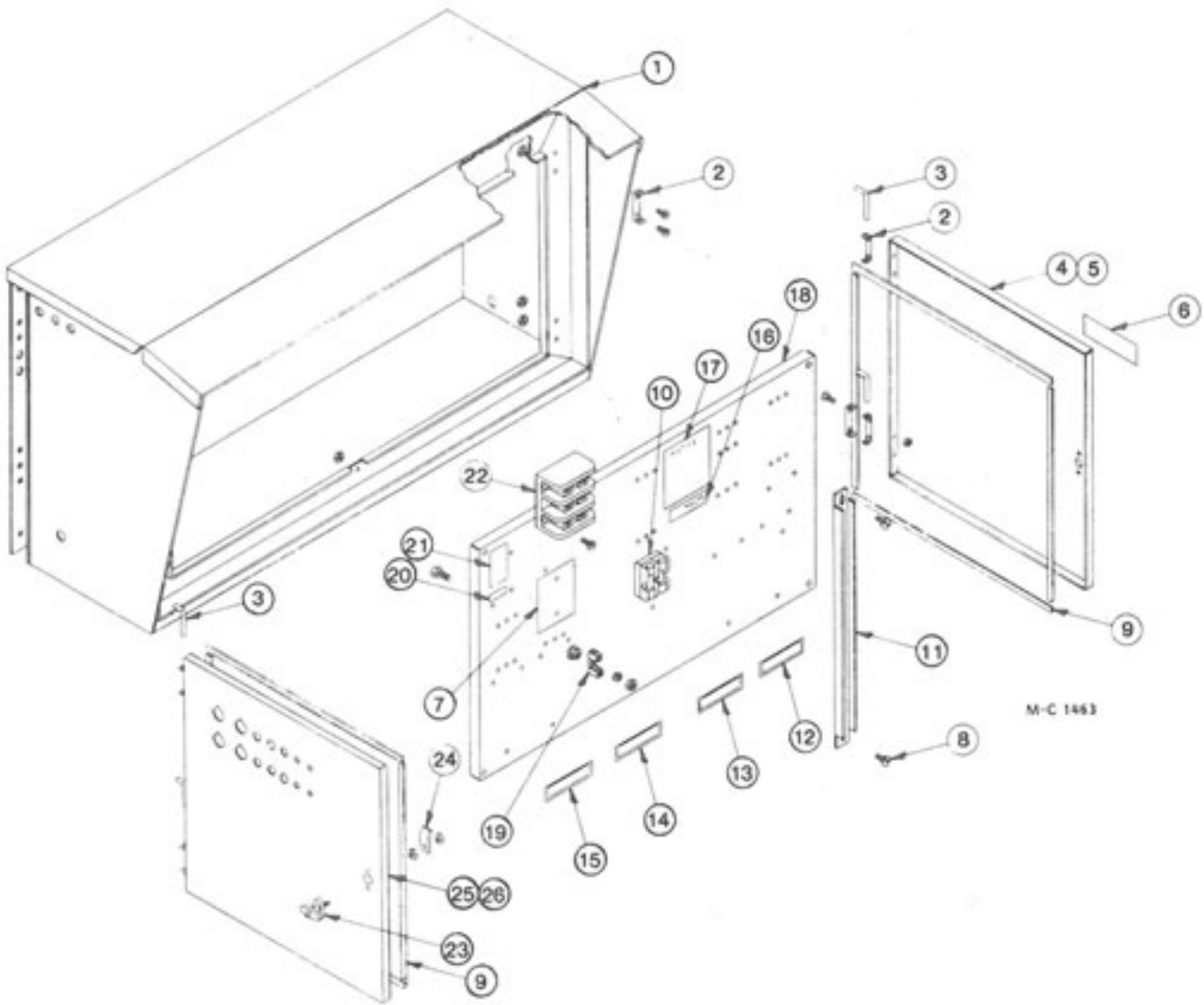
Motor Control Cabinet
(Model 675 thru 1195 EM)
Base Module



Motor Control Cabinet
(Model 675 thru 1195 EM)

| Ref. | Part No. | Qty. | Description |
|------|----------|------|---|
| 1 | 128 0306 | 1 | Motor Control Cabinet Weld. |
| 2 | 128 2740 | 12 | Door Hinge |
| 3 | 128 5201 | 6 | Hinge Pin |
| 4 | 128 1329 | 2 | Door Ass'y - Left & Right (Incl. ref. 2, 5 & 9) |
| 5 | 128 4844 | 2 | Door - Left & Right |
| 6 | 121 8316 | 1 | Dryer Warning Decal |
| 7 | 128 5789 | 2 | Insulator Sheet (460V - 575V) |
| 8 | 000 8103 | 2 | 5/16-18 x 1/2" Truss Hd. Screw |
| | 000 8169 | 2 | 5/16-18 Flanged Locknut |
| 9 | 121 8966 | - | Weather Stripping 1/4" x 3/4" (Specify ft. required) |
| 10 | 121 6988 | 2 | Fuse Holder - 460V & 575V |
| | 203 6801 | 1 | Dougle Fuse Block - 200/208V |
| 11 | 128 4843 | 1 | Door Jamb |
| 12 | 121 8325 | 1 | Upper Heat Fan Decal |
| 13 | 121 8313 | 1 | Heat Fan Decal |
| | 121 8312 | 1 | Cool Fan Decal |
| 14 | 128 8335 | 1 | Unload Auger Decal |
| 15 | 121 8351 | 1 | Level Auger Decal |
| 16 | 123 8339 | 1 | 208 Volts Decal |
| | 123 8336 | 1 | 230 Volts Decal |
| | 123 8337 | 1 | 460 Volts Decal |
| | 128 8338 | 1 | 575 Volts Decal |
| 17 | 121 8315 | 1 | Notice, Warranty Decal |
| 18 | 124 4448 | 1 | Component Mounting Panel |
| 19 | 125 6918 | 2 | Grounding Lug |
| 20 | 128 8349 | 2 | Ground Decal |
| 21 | 128 8318 | 1 | Splitter Block Voltage Decal |
| 22 | 128 6957 | 1 | Splitter Block - 1 & 3 Phase |
| 23 | 124 1021 | 4 | Door "T" Handle Ass'y (Incl. ref. 24 cam, keys and mtg. hdwe.) Lever type handle no longer available. |
| | 128 8946 | 4 | Door "T" Handle w/Keys (Less ref. 24 cam) |
| | 122 8900 | 4 | Door "T" Handle Key |
| 24 | 128 3425 | 4 | Door Latch Cam |
| 25 | 128 2741 | 2 | Stop Brqcket |
| 26 | 124 4806 | 1 | Component Mounting Board |
| 27 | 124 4838 | 1 | Control Door 2-Fan |
| | 124 4837 | 1 | Control Door 3-Fan |
| | 124 4840 | 1 | Control Door 4-Fan |
| | 124 4841 | 1 | Control Door 6-Fan |
| | 124 1021 | 2 | Door "T" Handle Ass'y |
| 28 | 127 6829 | 1 | Transformer (750VA) |

Motor Control Cabinet
(Model 675 thru 1195 EM)
Upper Modules



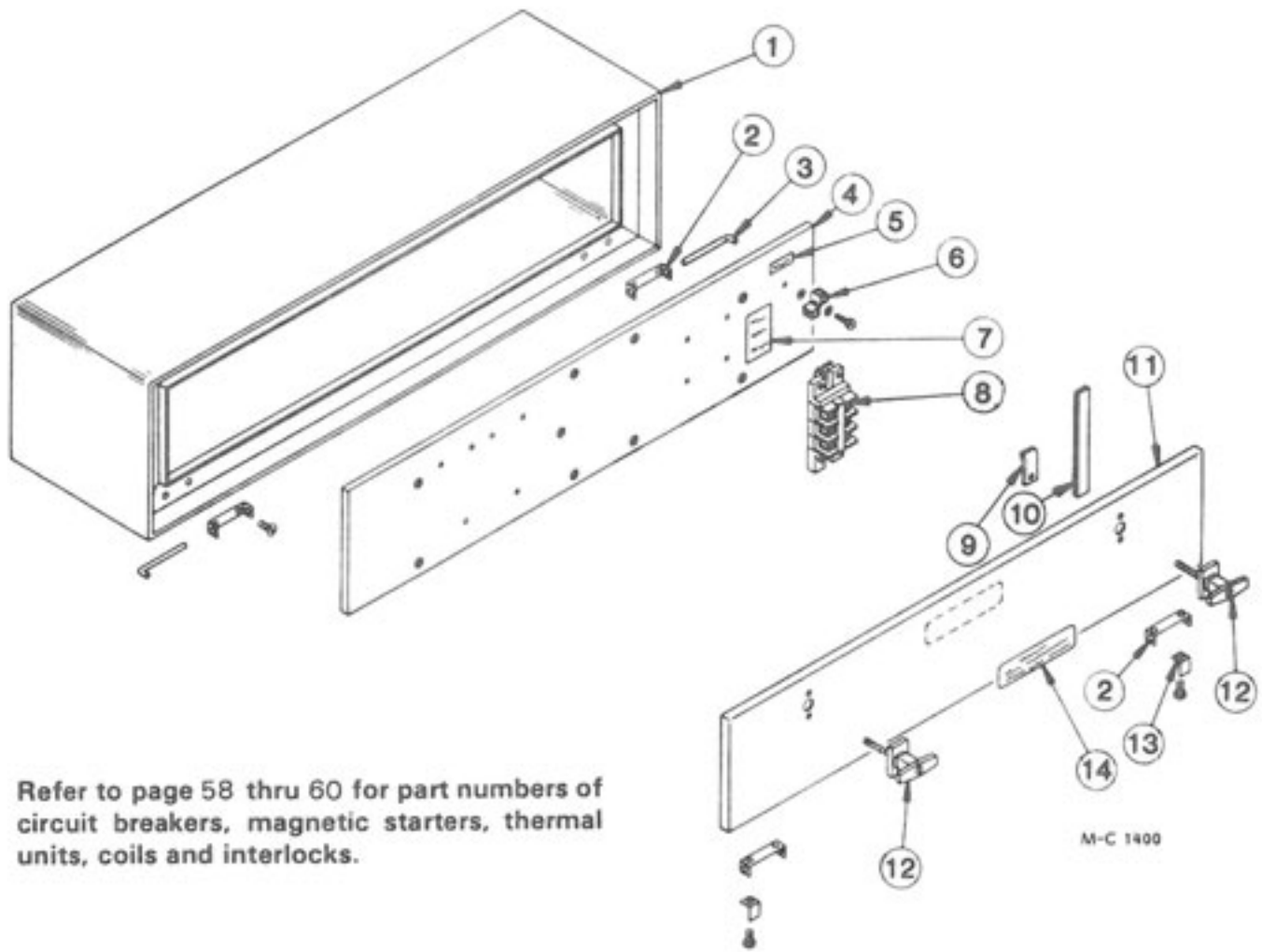
M-C 1463

Motor Control Cabinet

(Model 675 thru 1195 EM)

| Ref. | Part No. | Qty. | Description |
|------|----------|------|---|
| 1 | 128 0308 | 1 | Motor Control Cabinet Weld. |
| 2 | 128 2740 | 8 | Door Hinge |
| 3 | 128 5201 | 4 | Hinge Pin |
| 4 | 128 1329 | 1 | Door Ass'y (Incl. ref. 2, 5 & 9) |
| 5 | 128 4844 | 1 | Door |
| 6 | 121 8316 | 1 | Dryer Warning Decal |
| 7 | 128 5789 | 2 | Insulator Sheet (460V - 575V) |
| 8 | 000 8103 | 2 | 5/16-18 x 1/2" Truss Hd. Screw |
| | 000 8169 | 2 | 5/16-18 Flanged Locknut |
| 9 | 121 8966 | - | Weather Stripping 1/4" x 3/4" (Specify ft. required) |
| 10 | 121 6988 | 2 | Fuse Holder - 460V & 575V |
| | 203 6801 | 1 | Double Fuse Block - 200/208V |
| 11 | 128 4843 | 1 | Door Jamb |
| 12 | 121 8325 | 1 | Upper Heat Fan Decal |
| 13 | 121 8313 | 1 | Heat Fan Decal |
| | 121 8312 | 1 | Cool Fan Decal |
| 14 | 128 8335 | 1 | Unload Auger Decal |
| 15 | 121 8351 | 1 | Level Auger Decal |
| 16 | 123 8339 | 1 | 208 Volts Decal |
| | 123 8336 | 1 | 230 Volts Decal |
| | 123 8337 | 1 | 460 Volts Decal |
| | 123 8338 | 1 | 575 Volts Decal |
| 17 | 121 8315 | 1 | Notice, Warranty Decal |
| 18 | 124 4448 | 1 | Component Mounting Panel |
| 19 | 125 6918 | 1 | Grounding Lug |
| 20 | 128 8349 | 1 | Ground Decal |
| 21 | 128 8318 | 1 | Splitter Block Voltage Decal |
| 22 | 128 6957 | 1 | Splitter Block - 1 & 3 Phase |
| 23 | 124 1021 | 2 | Door "T" Handle Ass'y (Incl. ref. 24 cam, keys and mtg. hdwe.) Lever type handle no longer available. |
| | 128 8946 | 2 | Door "T" Handle w/Keys (Less ref. 24 cam) |
| | 122 8900 | 2 | Door "T" Handle Key |
| 24 | 128 3425 | 2 | Door Latch Cam |
| 25 | 124 1065 | 1 | Component Door Assembly |
| 26 | 124 4835 | 1 | Door |

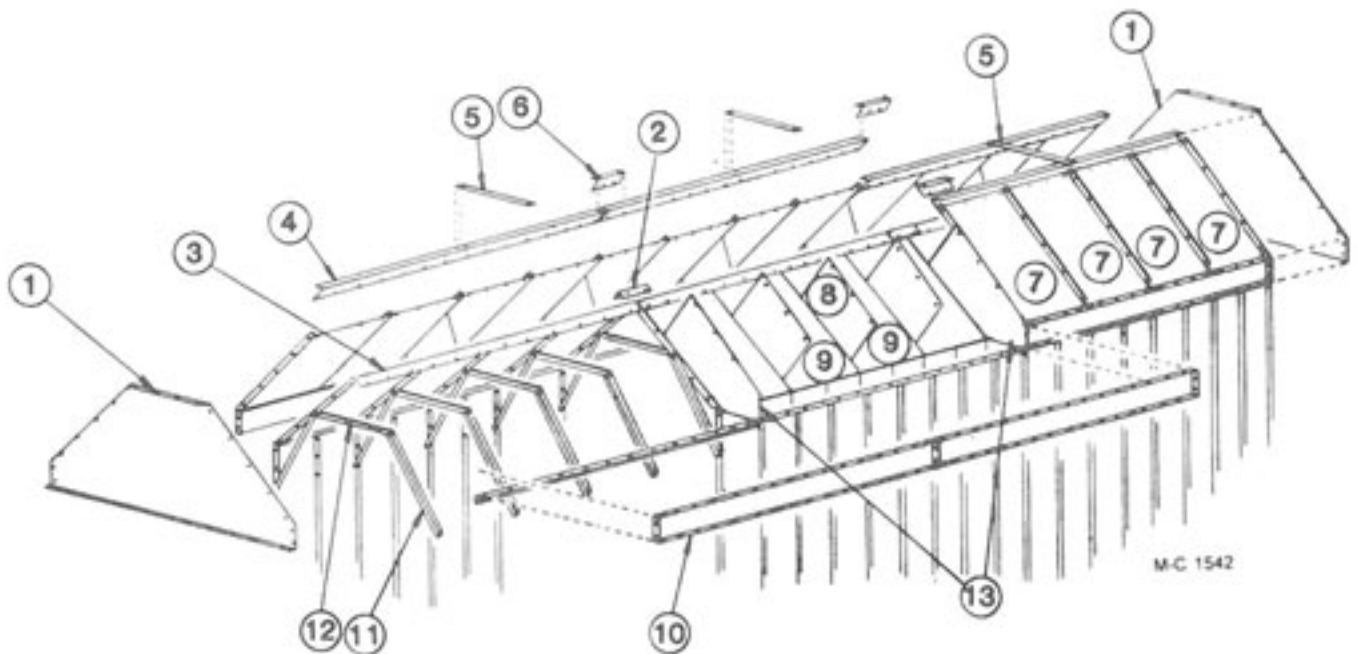
Motor Control Cabinet (Model 675 B115 and 975 B115)



Refer to page 58 thru 60 for part numbers of circuit breakers, magnetic starters, thermal units, coils and interlocks.

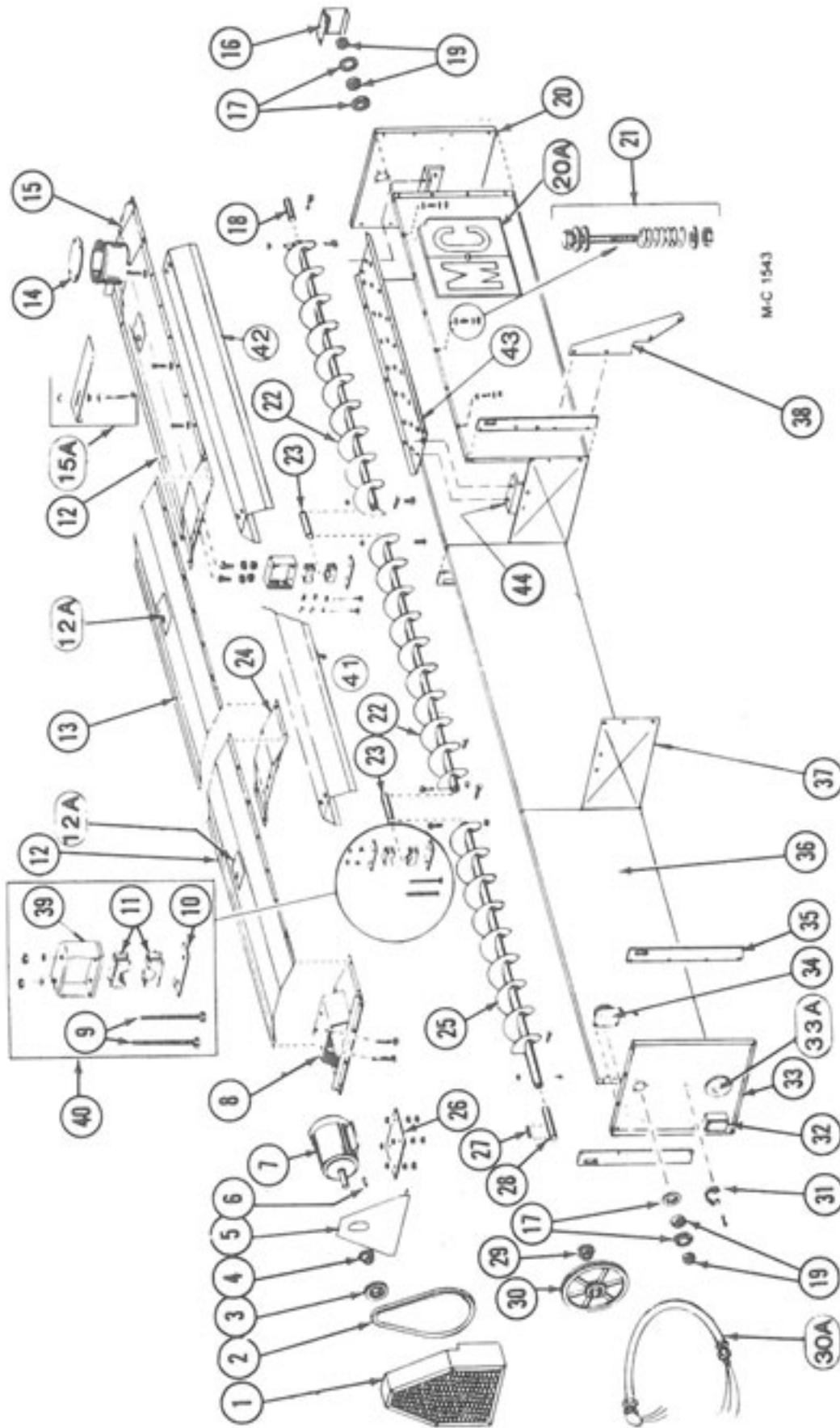
| Ref. | Part No. | Qty. | Description |
|------|----------|------|---|
| 1 | 123 0094 | 1 | Motor Control Cabinet Weld. |
| 2 | 128 2740 | 4 | Door Hinge |
| 3 | 128 5201 | 2 | Hinge Pin |
| 4 | 124 4770 | 1 | Component Mounting Board |
| 5 | 128 8349 | 1 | Ground Decal |
| 6 | 125 6918 | 1 | Grounding Lug |
| 7 | 128 8318 | 1 | Splitter Block Voltage Decal |
| 8 | 128 6918 | 1 | 3 Circuit Terminal |
| 9 | 128 3425 | 2 | Door Latch Cam |
| 10 | 121 8966 | - | Weather Stripping 1/4" x 3/4" (Specify ft. required) |
| 11 | 124 4823 | 1 | Control Door |
| 12 | 124 1021 | 2 | Door "T" Handle Ass'y (Incl. ref. 10 cam, keys and mtg. hdwe.) Lever type handle no longer available. * |
| | 128 8946 | 2 | Door "T" Handle w/Keys (Less ref. 10 cam) |
| | 122 8900 | 2 | Door "T" Handle Key |
| 13 | 128 2741 | 2 | Stop Bracket |
| 14 | 121 8316 | 1 | Dryer Warning Decal |

Peak



| Ref. | Part No. | Qty. (16') | Qty. (24') | Description |
|------|----------|---------------|---------------|--|
| 1 | 129 2837 | 2 | 2 | Peak Outer End Panel |
| 2 | 128 3075 | 2 | 2 | Seal Angle |
| 3 | 128 2991 | 2 | 3 | Peak Cap |
| 4 | 128 2739 | 4 | 6 | Hopper Mount Angle |
| 5 | 129 2947 | 2 | 3 | Stiffener Strap - 28" (71cm) |
| 6 | 129 3070 | 2 | 4 | Hopper Mount Angle Splice |
| 7 | ----- | - | - | Outer Peak Panel |
| | 129 2002 | 16 | 24 | Aluminum (Std.) |
| | 129 2950 | 16 | 24 | Small Seed Aluminum |
| | 124 2017 | 16 | 24 | Canola (Galv.) |
| 8 | 129 2830 | 12 | 18 | Stiffening Divider |
| 9 | ----- | - | - | Inner Peak Panel |
| | 129 2000 | 16 | 24 | Galvanized (Std.) |
| | 129 2949 | 16 | 24 | Small Seed Solid (Galv.) |
| | 124 2016 | 16 | 24 | Canola (Galv.) |
| 10 | ----- | - | - | Peak Channel |
| | 129 2833 | 4 | 6 | Aluminum (Std.) |
| | 124 2015 | 4 | 6 | Galvanized Small Seed/Canola |
| 11 | 129 2001 | 14 | 22 | Vertical Support Angle - 29½" (75.2cm) |
| 12 | 128 2012 | 7 | 11 | Inner Peak Panel Cross Tie - 31¼" (79.4cm) |
| 13 | 129 2840 | 2 | 4 | Stiffening Divider Long |

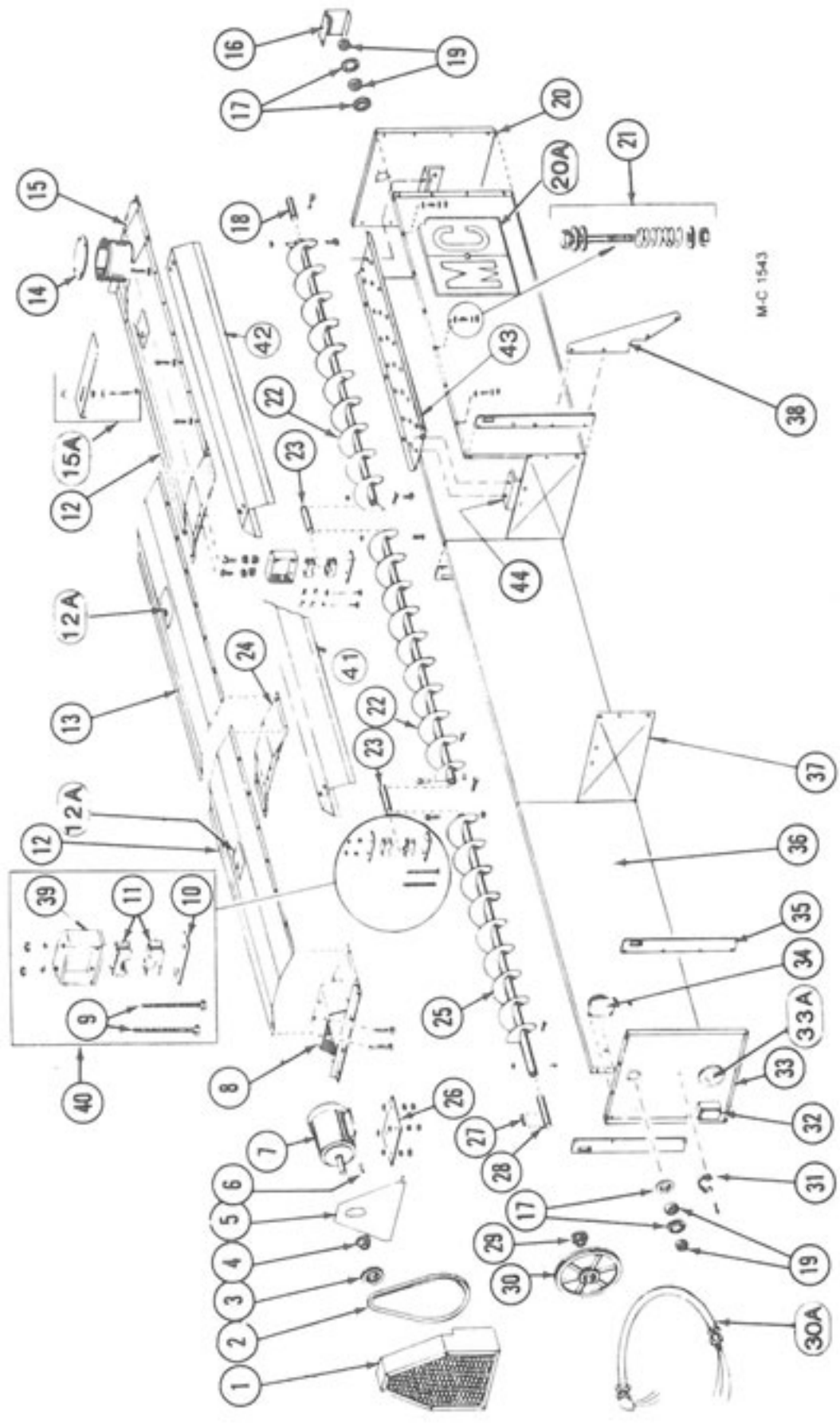
Hopper and Level Auger



Hopper and Level Auger

| Ref. | Part No. | Qty. (16') | Qty. (24') | Description | Ref. | Part No. | Qty. (16') | Qty. (24') | Description |
|------|----------|------------|------------|---|------|----------|------------|------------|--------------------------------------|
| 1 | 129 0003 | 1 | 1 | Level Auger Guard | 12 | 129 2945 | 2 | 2 | Hopper Cover - Front & Rear (76") |
| 2 | 128 6103 | 1 | 1 | 2-3V/710 (banded belt) or 128 6104 in matched set of two | 12A | 128 8355 | 2 | 3 | Warning Decal |
| 3 | 128 6207 | 1 | 1 | 3V/3.65 x 2 Groove 60 cycle | 13 | 129 2946 | — | 1 | Hopper Cover - Center (83") |
| | 128 6220 | 1 | 1 | 3V/4.5 x 2 Groove 50 cycle | 14 | 129 4204 | 1 | 1 | Receiving Tube Cover |
| 4 | 128 6214 | 1 | 1 | 1-1/8" SH Bushing - For 3 HP & 5 HP motor (incl. capscrews & lockwashers) | 15 | 129 0002 | 1 | 1 | Receiving Hopper |
| | | | | | 15A | 129 4205 | 1 | 1 | Flow Restrictor |
| 5 | 129 4944 | 1 | 1 | Level Auger Guard Back | | 129 5703 | 1 | 1 | Position & Locking Bolt |
| 6 | 001 5112 | 1 | — | Key-3/16" x 1 3/8" (1.5 HP motor) | | 000 8168 | 3 | 3 | 3/8-16 Flanged Locknut |
| | 001 5114 | 1 | 1 | Key-3/16" x 1 3/8" (2 HP motor) | 16 | 129 4947 | 1 | 1 | Stub Guard |
| | 001 5119 | — | 1 | Key-1/4" x 2" (3 HP motor) | 17 | 001 6004 | 4 | 4 | Bearing Flangette 1/4" |
| 7 | 128 6818 | 1 | — | 230/460V 3HP 3Ø Motor | 18 | 128 5052 | 1 | 1 | Level Auger Rear Shaft (1 1/4" x 8") |
| | 128 6815 | — | 1 | 230/460V 5HP 3Ø Motor | 19 | 001 6003 | 2 | 2 | Bearing w/Lock Collar - 1 1/4" |
| 8 | 129 0001 | 1 | 1 | Level Auger Motor Mt | 20 | 129 2834 | 1 | 1 | Upper End Panel - Rear |
| 9 | 001 8287 | 2 | 4 | 3/8-16 x 3-3/4" Capscrew-Grd. 5 | 20A | 121 8343 | 2 | 2 | M-C Decal (26 1/2" x 23") |
| | 001 8139 | 2 | 4 | 3/8" Lockwasher | 21 | 000 8101 | 12 | 18 | 1/4-20 x 2" Capscrew |
| | 000 8162 | 8 | 16 | 3/8-16 Hex Nut | | 131 8708 | 12 | 18 | Spring (3/8"OD x 1 1/2") |
| 10 | 128 3415 | 2 | 4 | Bearing Hanger Bar | | 000 8172 | 36 | 54 | 1/4" Flatwasher |
| 11 | 128 6021 | 1 | 2 | Wood Bearing - 1 1/4" (2 halves) | | 000 8210 | 12 | 18 | 1/4-20 Two-Way Locknut |

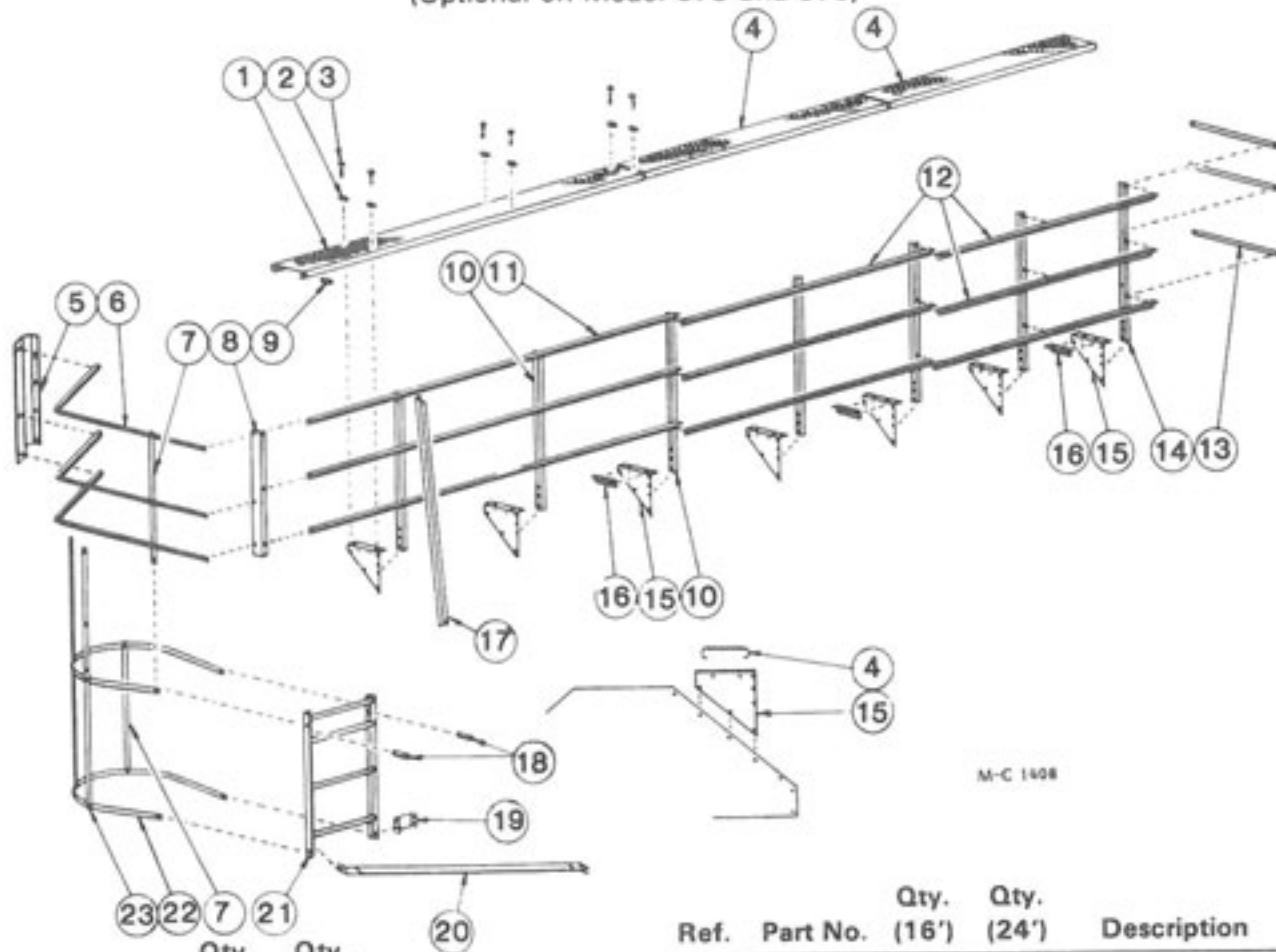
Hopper and Level Auger



Hopper and Level Auger

| Ref. | Part No. | Qty. (16') | Qty. (24') | Description |
|------|----------|------------|------------|--|
| 22 | 128 0122 | 1 | 2 | Level Auger (93½" RH flighting) |
| 23 | 128 5050 | 1 | 2 | Level Auger Center Shaft (1¼" x 10¼") |
| 24 | 129 0000 | 1 | 2 | Level Auger Support |
| 25 | 128 0317 | 1 | 1 | Level Auger (82½" RH flighting) |
| | 001 8137 | 8 | 12 | ¾-16 x 2" Capscrew - Grd. 5 |
| | 001 8149 | 8 | 12 | ¾-16 Two-Way Locknut |
| 26 | 129 4202 | 1 | 1 | Level Auger Motor Mt. Plate |
| | 000 8161 | 4 | 4 | ½-13 x 3½" Capscrew (Full thread) |
| | 000 8170 | 4 | 4 | ½-13 Flanged Locknut |
| | 000 8163 | 8 | 8 | ½-13 Hex Nut |
| 27 | 001 5120 | 1 | 1 | Key-¼" x 1½" |
| 28 | 128 5051 | 1 | 1 | Level Auger Front Shaft (1¼" x 10") |
| 29 | 121 6241 | 1 | 1 | 1½" SK Bushing (incl. capscrews & lockwashers) |
| 30 | 128 6208 | 1 | 1 | 3V/19.0 x 2 Grv. |
| 30A | 128 1960 | 1 | 1 | Flexible Conduit w/Wires |
| 31 | 128 8951 | 1 | 1 | Rubber Strap w/Hook |
| 32 | 128 6922 | 1 | 1 | Slatter Box (½") |
| 33 | 129 2835 | 1 | 1 | Upper End Panel - Front |
| 33A | 129 5702 | 1 | 1 | Port View Lens |
| 34 | 128 6992 | 1 | 1 | Bin Level Indicator (See pg. 59) |
| 35 | 129 3412 | 4 | 4 | Lifting Bar |
| 36 | 129 2836 | 4 | 6 | Hopper Side |
| 37 | 129 2715 | 1 | 2 | Hopper Sectional Panel |
| 38 | 129 2603 | 6 | 8 | Hopper Brace |
| 39 | 128 0292 | 1 | 2 | Level Auger Brg. Support |
| | 001 8209 | 2 | 4 | ¾-16 x 1" Hex Washer Head Bolt |
| | 001 8139 | 2 | 4 | ¾" Lockwasher |
| | 000 8162 | 2 | 4 | ¾-16 Hex Nut |
| 40 | 122 1008 | 1 | 2 | Level Auger Brg. Kit (Incl. ref. 10, 11, 39 & 40 in quantities reqd. for one brg.) |
| 41 | 129 2839 | — | 1 | Auger Cover Long |
| 42 | 129 2838 | 1 | 1 | Auger Cover Short |
| 43 | 128 2761 | 1 | 1 | Pan Under Auger |
| 44 | 128 2760 | 2 | 2 | Auger Pan Support Bracket |

Walkway (Optional on Model 675 and 975)

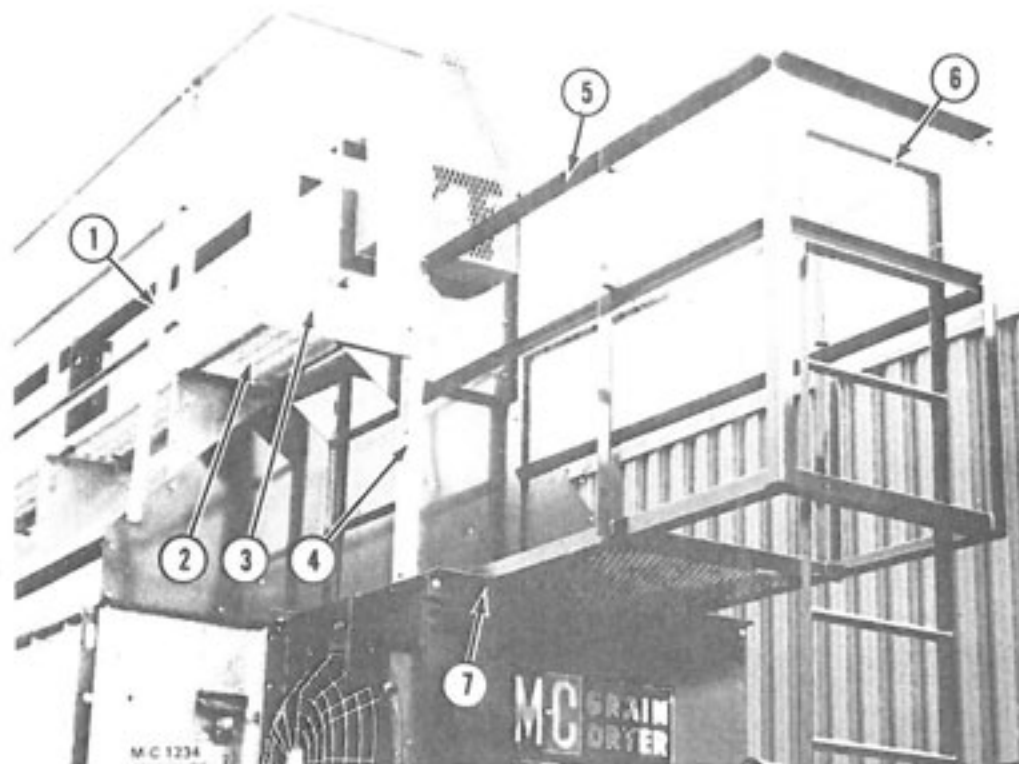


M-C 1408

| Ref. | Part No. | Qty. (16') | Qty. (24') | Description |
|------|----------|---------------|---------------|-------------------------------------|
| 1 | 129 5701 | 1 | 1 | Walkway Grating (10') - See note |
| 2 | 120 8994 | 12 | 18 | Walkway Grating Anchor Clip |
| 3 | 001 8276 | 12 | 18 | 5/16-18 x 3" Carriage Bolt |
| | 000 8169 | 12 | 18 | 5/16-18 Flanged Locknut |
| 4 | 129 8700 | 1 | 2 | Walkway Grating (8') - See note |
| 5 | 124 2600 | 1 | 1 | Walkway Rail Brkt. |
| 6 | 129 2003 | 3 | 3 | Strengthening Rails (67¼") |
| 7 | 129 2011 | 2 | 2 | Ladder Cage Straps (35½") |
| 8 | 129 2601 | 1 | 1 | End Rail Support (39½") |
| 9 | 129 5406 | 1 | 1 | Walkway Stand-Off ¾" x 1¼" |
| 10 | 129 2005 | 4 | 6 | Guard Rail Brace (49½") |
| 11 | 129 2006 | 3 | 3 | Guard Rail (122") |
| 12 | 129 2004 | 3 | 6 | Standard Guard Rail (97½") |
| 13 | 129 2008 | 3 | 3 | Short Guard Rail (23") |
| 14 | 129 2015 | 1 | 1 | Guard Rail End Brace (49½") |
| 15 | 129 2600 | 5 | 7 | Bridge Support |
| 16 | 129 2602 | 2 | 3 | Walkway Grating Support |
| 17 | 129 2007 | 1 | 1 | Walkway Leg (60¾") |
| 18 | 129 5405 | 2 | 2 | Ladder Mount Stand- Off ¾" x 3¼" |
| | 000 8257 | 2 | 2 | ¾-16 x 5" Capscrew- Full Thread |
| | 000 8168 | 2 | 2 | ¾-16 Flanged Locknut |
| 19 | 128 2660 | 1 | 1 | Ladder Mounting Brkt. |
| 20 | 128 2661 | 1 | 1 | Ladder Mounting Angle (33½") |
| 21 | 129 0004 | 1 | 1 | Ladder (3') |
| 22 | 128 2015 | 2 | 2 | Ladder Cage Hoop |
| 23 | 129 2014 | 2 | 2 | Walkway Cage Strap (67¼") |

NOTE: One 8' and two 10' pieces used on 1175 & 1195 when equipped with the Walkway Front Access.

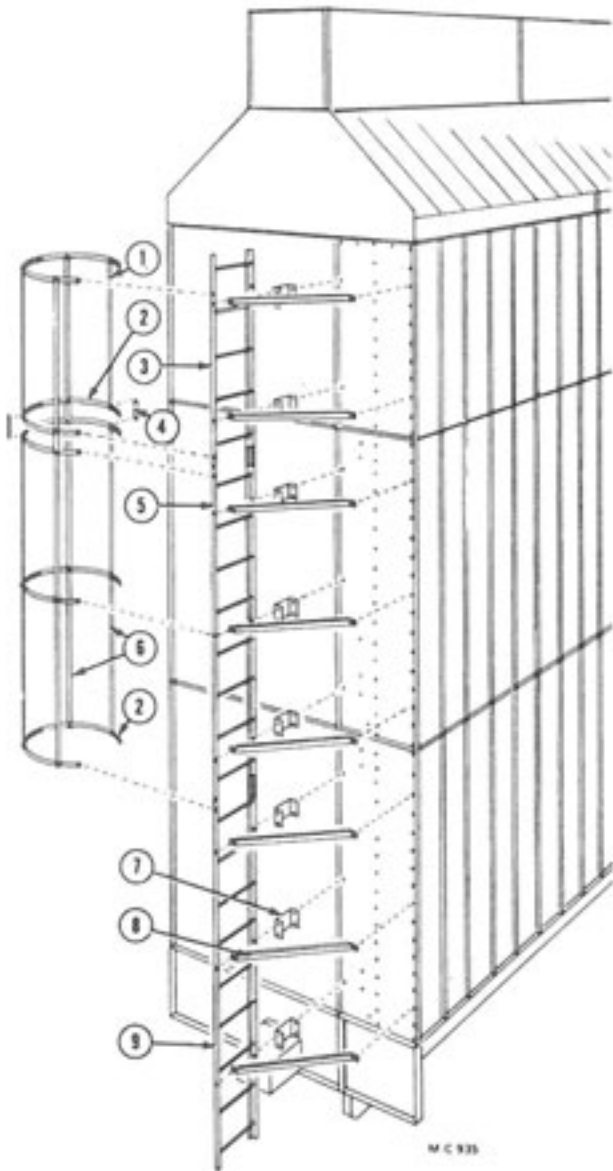
Walkway Front Access Assembly (124 1034)
(For Model 1175 and 1195)



124 1034 Consists of ref. 1 thru 7 in quantities shown

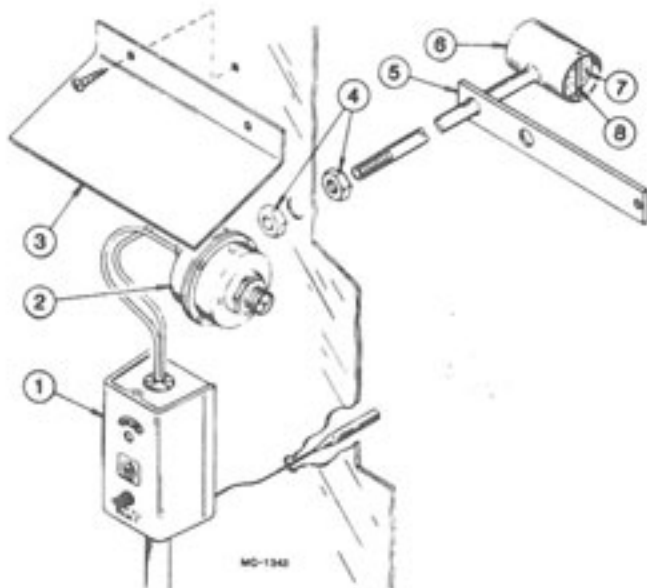
| Ref. | Part No. | Qty. | Description |
|------|----------|------|--|
| 1 | 129 2007 | 1 | Walkway Leg |
| 2 | 129 5701 | 1 | Walkway Grating |
| 3 | 128 2674 | 1 | Panel Joiner |
| | 128 5405 | 2 | $\frac{3}{8}$ " x $1\frac{3}{4}$ " Spacer |
| | 000 8229 | 2 | $\frac{3}{8}$ -16 x $2\frac{3}{4}$ " Capscrew - Grd. 5 |
| | 000 8174 | 2 | $\frac{3}{8}$ " Flatwasher |
| | 000 8168 | 2 | $\frac{3}{8}$ -16 Flanged Locknut |
| 4 | 128 2675 | 1 | Platform Mt. Channel |
| | 000 8121 | 5 | $\frac{3}{8}$ -16 x 1" Capscrew |
| | 000 8174 | 5 | $\frac{3}{8}$ " Flatwasher |
| | 000 8168 | 5 | $\frac{3}{8}$ -16 Flanged Locknut |
| 5 | 128 0291 | 1 | Platform Weldmount |
| | 133 8161 | 2 | $\frac{1}{2}$ -13 x $1\frac{1}{2}$ " Capscrew - Grd. 5 |
| | 000 8175 | 2 | $\frac{1}{2}$ " Flatwasher |
| | 000 8170 | 2 | $\frac{1}{2}$ -13 Flanged Locknut |
| 6 | 120 0045 | 1 | Upper Platform Ladder - $11\frac{1}{2}$ " |
| | 128 5405 | 2 | $\frac{3}{8}$ " x $1\frac{3}{4}$ " Spacer |
| | 000 8229 | 2 | $\frac{3}{8}$ -16 x $2\frac{3}{4}$ " Capscrew - Grd. 5 |
| | 000 8123 | 2 | $\frac{3}{8}$ -16 x $1\frac{1}{4}$ " Capscrew |
| | 128 4525 | 2 | $\frac{3}{8}$ ID x 2" OD Flatwasher |
| | 000 8174 | 2 | $\frac{3}{8}$ " Flatwasher |
| | 000 8168 | 4 | $\frac{3}{8}$ -16 Flanged Locknut |
| 7 | 128 3947 | 1 | Platform Support Angle |
| | 000 8123 | 2 | $\frac{3}{8}$ -16 x $1\frac{1}{4}$ " Capscrew |
| | 000 8174 | 2 | $\frac{3}{8}$ " Flatwasher |
| | 000 8168 | 2 | $\frac{3}{8}$ -16 Flanged Locknut |

Rear Ladders



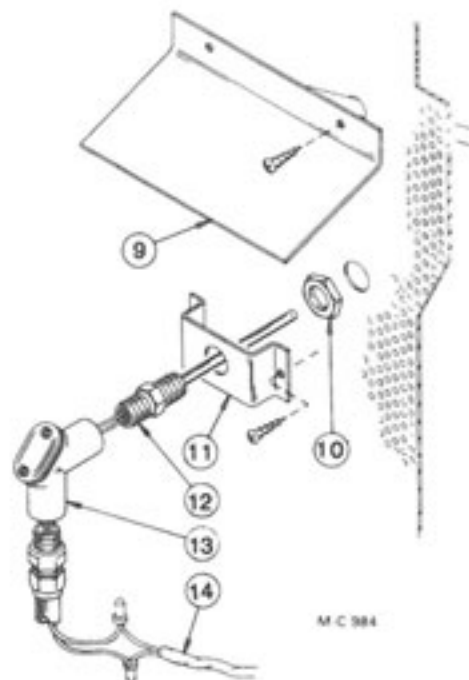
| Ref. | Part No. | Description |
|------|----------|---------------------------|
| 1 | 129 2010 | Ladder Cage Strap - 5 ft. |
| 2 | 128 2015 | Ladder Cage Hoop |
| 3 | 129 0005 | Ladder - 5 ft. |
| 4 | 128 2019 | Ladder Cage Tie |
| 5 | 128 0161 | Ladder - 8ft. |
| 6 | 128 2016 | Ladder Cage Strap - 8ft. |
| | 128 2017 | Ladder Cage Strap - 9ft. |
| 7 | 128 2660 | Ladder Mtg. Brkt. |
| 8 | 128 2661 | Ladder Mounting Angle |
| 9 | 128 0163 | Ladder 9 ft. |
| — | 000 8121 | 3/8-16 x 1" Capscrew |
| — | 000 8119 | 3/8-16 x 3/4" Capscrew |
| — | 000 8168 | 3/8-16 Flanged Locknut |

Moisture Control, Air Pressure and High Limit Switches



Air Pressure and High Limit Switches

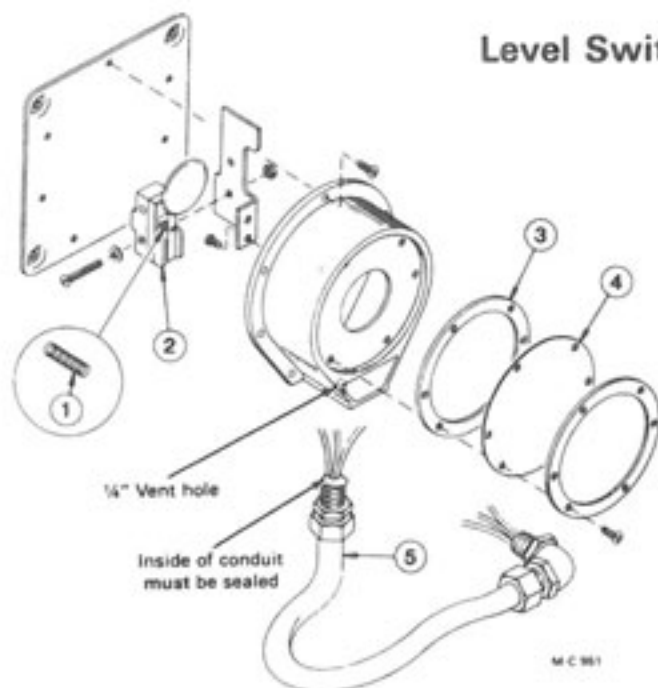
| Ref. | Part No. | Description |
|------|----------|---|
| 1 | 124 6934 | High Limit Switch - Adjustable-Manual Reset |
| 2 | 121 6849 | Air Pressure Switch |
| 3 | 121 2946 | High Limit Switch Cover |
| 4 | 121 8000 | Pipe Locknut - 1/4" |
| 5 | 121 2007 | Air Pressure Tube Brkt. |
| 6 | 121 0169 | Air Pressure Tube |
| 7 | 121 5716 | Air Pressure Tube Filter |
| 8 | ----- | Filter Retainer (Wire) |



Moisture Control Probe

| Ref. | Part No. | Description |
|------|----------|---------------------------|
| 9 | 121 0031 | Moisture Control Shield |
| 10 | 121 6915 | Locknut - 1/2" |
| 11 | 128 3007 | Bracket |
| 12 | 124 6893 | Thermistor Sensor (Probe) |
| 13 | 123 8089 | 1/2" Handy Ell |
| 14 | 125 6908 | 18/2 PVC Cord w/ Shield |

Level Switch Assembly



| Ref. | Part No. | Qty. | Description |
|------|----------|------|-----------------------------------|
| — | 128 6992 | 1 | Bin Level Indicator (Less ref. 5) |
| 1 | 122 6847 | 1 | Spring |
| 2 | 122 6848 | 1 | Microswitch Ass'y. |
| 3 | 122 6850 | 1 | Gasket |
| 4 | 122 6849 | 1 | Diaphragm (Teflon) |
| 5 | 128 1995 | 1 | Level Switch Wire Ass'y. |

DRYER MOTORS, CIRCUIT BREAKERS AND MAGNETIC STARTERS

| MOTOR | | | CIRCUIT BREAKER | | | MAGNETIC STARTER | | | |
|-------|------|----------|-----------------|------|------------|------------------|------------|-----------------------|-------------------|
| HP | *FLA | Part No. | Part No. | Amps | Sq."D" No. | Starter Part No. | Sq."D" No. | Thermal Unit Part No. | Thermal Unit Size |

200/208V - 3 PHASE - 60 HZ

| | | | | | | | | | |
|-------|------|----------|----------|-----|----------|----------|--------|----------|---------|
| □ 1.5 | 5.98 | 127 6833 | 128 6882 | 15 | QOU 315 | 124 6931 | DPS033 | 128 6947 | B 9.10 |
| † 1.5 | 5.98 | 127 6861 | 128 6882 | 15 | QOU 315 | 124 6931 | DPS033 | 128 6947 | B 9.10 |
| 2 | 7.82 | 127 6841 | 128 6882 | 15 | QOU 315 | 124 6931 | DPS033 | 128 6863 | B 11.5 |
| 3 | 11.0 | 127 6832 | 124 6875 | 20 | QOU 320 | 124 6931 | DPS033 | 128 6823 | B 17.5 |
| 5 | 17.5 | 127 6843 | 124 6876 | 35 | QOU 335 | 124 6931 | DPS033 | 120 6857 | B 32 |
| 7.5 | 25.3 | 127 6858 | 124 6904 | 50 | QOU 350 | 124 6930 | DPS053 | 128 6979 | B 40 |
| 10 | 32.2 | 203 6809 | 125 6912 | 60 | QOU 360 | 124 6930 | DPS053 | 128 6950 | B 50 |
| 15 | 48.3 | 126 6854 | 128 6885 | 90 | QOU 390 | 124 6930 | DPS053 | 128 6953 | B 79 |
| 20 | 62.1 | 127 6853 | 128 6966 | 100 | QOU 3100 | 124 1082 | DPA73 | 128 6827 | CC 87.7 |
| 25 | 67.0 | 127 6852 | 128 6887 | 110 | Q2L 3110 | 124 1082 | DPA73 | 120 6844 | CC 103 |
| 30 | 80.0 | 127 6859 | 124 6906 | 125 | Q2L 3125 | 124 1083 | DPA93 | 128 6954 | CC 132 |

230V - 1 PHASE - 60 HZ

| | | | | | | | | | |
|-------|------|----------|----------|-----|----------|----------|--------|----------|--------|
| □ 1.5 | 8.3 | 121 6846 | 128 6878 | 20 | QOU 220 | 124 6931 | DPS033 | 128 6863 | B 11.5 |
| † 1.5 | 10.6 | 127 6863 | 128 6878 | 20 | QOU 220 | 124 6931 | DPS033 | 120 6850 | B 15.5 |
| 2 | 12.3 | 121 6862 | 124 6903 | 25 | QOU 225 | 124 6931 | DPS033 | 128 6949 | B 19.5 |
| 3 | 20.0 | 128 6829 | 124 6909 | 40 | QOU 240 | 124 6931 | DPS033 | 120 6857 | B 32 |
| 5 | 28.0 | 201 6815 | 128 6880 | 60 | QOU 260 | 124 6930 | DPS053 | 128 6979 | B 40 |
| † 7.5 | 38.5 | 124 6816 | 124 6908 | 80 | QOU 280 | 124 6930 | DPS053 | 124 6910 | B 66 |
| † 7.5 | 38.5 | 124 6888 | 124 6908 | 80 | QOU 280 | 124 6930 | DPS053 | 124 6910 | B 66 |
| 10 | 45.0 | 124 6818 | 128 6881 | 90 | QOU 290 | 124 6930 | DPS053 | 128 6953 | B 79 |
| 20 | 92.0 | 124 6879 | 124 6881 | 125 | Q2L 2125 | 124 1083 | DPA93 | 128 6820 | CC 156 |

230V - 3 PHASE - 60 HZ

| | | | | | | | | | |
|-------|------|----------|----------|-----|----------|----------|--------|----------|---------|
| □ 1.5 | 5.0 | 121 6845 | 128 6882 | 15 | QOU 315 | 124 6931 | DPS033 | 120 6851 | B 7.70 |
| † 1.5 | 5.0 | 127 6860 | 128 6882 | 15 | QOU 315 | 124 6931 | DPS033 | 120 6851 | B 7.70 |
| 2 | 6.0 | 121 6861 | 128 6882 | 15 | QOU 315 | 124 6931 | DPS033 | 128 6947 | B 9.10 |
| 3 | 9.0 | 128 6818 | 128 6882 | 15 | QOU 315 | 124 6931 | DPS033 | 125 6931 | B 14.0 |
| 5 | 13.8 | 128 6815 | 124 6907 | 25 | QOU 325 | 124 6931 | DPS033 | 120 6855 | B 25 |
| 7.5 | 20.6 | 121 6948 | 128 6968 | 40 | QOU 340 | 124 6931 | DPS033 | 128 6946 | B 36 |
| 10 | 27.2 | 201 6818 | 125 6912 | 60 | QOU 360 | 124 6930 | DPS053 | 120 6853 | B 45 |
| 15 | 39.2 | 201 6819 | 128 6891 | 80 | QOU 380 | 124 6930 | DPS053 | 128 6978 | B 70 |
| 20 | 49.6 | 125 6934 | 128 6885 | 90 | QOU 390 | 124 1082 | DPA73 | 128 6972 | CC 74.6 |
| 25 | 61.0 | 201 6842 | 128 6966 | 100 | QOU 3100 | 124 1082 | DPA73 | 128 6827 | CC 87.7 |
| 30 | 73.0 | 128 6986 | 128 6887 | 110 | QL2 3110 | 124 1083 | DPA93 | 128 6820 | CC 156 |

*IF FLA (Full Load Amps) shown does not match FLA imprinted on motor name plate, refer to Square D charts for correct thermal unit size.

□ - 5/8" shaft

† - 7/8" shaft

† - 124 6816 has 1 3/8" shaft. 124 6888 has 1 1/8" shaft.

DRYER MOTORS, CIRCUIT BREAKERS AND MAGNETIC STARTERS

| MOTOR | | | CIRCUIT BREAKER | | | MAGNETIC STARTER | | | |
|-------------------------------|------|----------|-----------------|------|------------|------------------|------------|-----------------------|-------------------|
| HP | *FLA | Part No. | Part No. | Amps | Sq."D" No. | Starter Part No. | Sq."D" No. | Thermal Unit Part No. | Thermal Unit Size |
| 380V - 3 PHASE - 50 HZ | | | | | | | | | |
| 1.5 | 2.9 | 127 6860 | 128 6931 | 15 | FAL 36015 | 124 6931 | DPS033 | 128 6951 | B 6.25 |
| **1.5 | 2.9 | 123 6876 | 128 6931 | 15 | FAL 36015 | 124 6931 | DPS033 | 128 6951 | B 6.25 |
| 2 | 3.7 | 121 6861 | 128 6931 | 15 | FAL 36015 | 124 6931 | DPS033 | 120 6845 | B 6.90 |
| **2 | 3.7 | 124 6867 | 128 6931 | 15 | FAL 36015 | 124 6931 | DPS033 | 120 6845 | B 6.90 |
| 3 | 5.2 | 128 6818 | 128 6931 | 15 | FAL 36015 | 124 6931 | DPS033 | 128 6947 | B 9.10 |
| 15 | 23.0 | 201 6819 | 128 6937 | 60 | FAL 36060 | 124 6930 | DPS053 | 120 6853 | B 45 |
| 20 | 30.5 | 125 6842 | 124 6905 | 70 | FAL 36070 | 124 6930 | DPS053 | 128 6950 | B 50 |
| 25 | 35.9 | 128 6986 | 125 6929 | 80 | FAL 36080 | 124 6930 | DPS053 | 128 6983 | B 56 |

460V - 3 PHASE - 60 HZ

| | | | | | | | | | |
|-------|------|----------|----------|----|-----------|----------|--------|----------|--------|
| □ 1.5 | 2.5 | 121 6845 | 128 6931 | 15 | FAL 36015 | 124 6931 | DPS033 | 128 6984 | B 3.00 |
| ‡ 1.5 | 2.5 | 127 6860 | 128 6931 | 15 | FAL 36015 | 124 6931 | DPS033 | 128 6984 | B 3.00 |
| 2 | 3.0 | 121 6861 | 128 6931 | 15 | FAL 36015 | 124 6931 | DPS033 | 128 6948 | B 4.15 |
| 3 | 4.5 | 128 6818 | 128 6931 | 15 | FAL 36015 | 124 6931 | DPS033 | 120 6845 | B 6.9 |
| 5 | 6.9 | 128 6815 | 128 6931 | 15 | FAL 36015 | 124 6931 | DPS033 | 128 6952 | B 10.2 |
| 7.5 | 10.3 | 121 6948 | 128 6933 | 20 | FAL 36020 | 124 6931 | DPS033 | 128 6823 | B 17.5 |
| 10 | 13.6 | 201 6818 | 125 6928 | 30 | FAL 36030 | 124 6931 | DPS033 | 120 6855 | B 25.0 |
| 15 | 19.6 | 201 6819 | 128 6930 | 40 | FAL 36040 | 124 6930 | DPS053 | 128 6946 | B 36 |
| 20 | 24.8 | 125 6934 | 128 6937 | 60 | FAL 36060 | 124 6930 | DPS053 | 120 6853 | B 45 |
| 25 | 31 | 201 6842 | 124 6905 | 70 | FAL 36070 | 124 6930 | DPS053 | 128 6983 | B 56 |
| 30 | 37 | 128 6986 | 125 6929 | 80 | FAL 36080 | 124 6930 | DPS053 | 128 6978 | B 70 |

575V - 3 PHASE - 60 HZ

| | | | | | | | | | |
|-------|------|----------|----------|----|-----------|----------|--------|----------|--------|
| □ 1.5 | 2 | 127 6815 | 128 6931 | 15 | FAL 36015 | 124 6931 | DPS033 | 128 6984 | B 3.00 |
| ‡ 1.5 | 2 | 127 6862 | 128 6931 | 15 | FAL 36015 | 124 6931 | DPS033 | 128 6984 | B 3.00 |
| 2 | 2.4 | 127 6816 | 128 6931 | 15 | FAL 36015 | 124 6931 | DPS033 | 120 6848 | B 3.70 |
| 3 | 3.6 | 127 6814 | 128 6931 | 15 | FAL 36015 | 124 6931 | DPS033 | 120 6829 | B 5.50 |
| 5 | 5.5 | 127 6847 | 128 6931 | 15 | FAL 36015 | 124 6931 | DPS033 | 128 6985 | B 8.20 |
| 7.5 | 8.2 | 127 6828 | 128 6931 | 15 | FAL 36015 | 124 6931 | DPS033 | 128 6863 | B 11.5 |
| 10 | 10.8 | 127 6857 | 128 6933 | 20 | FAL 36020 | 124 6931 | DPS033 | 128 6823 | B 17.5 |
| 15 | 15.6 | 127 6845 | 125 6928 | 30 | FAL 36030 | 124 6931 | DPS033 | 128 6971 | B 28 |
| 20 | 19.8 | 127 6844 | 128 6930 | 40 | FAL 36040 | 124 6931 | DPS033 | 128 6946 | B 36 |
| 25 | 25 | 127 6846 | 128 6937 | 60 | FAL 36060 | 124 6930 | DPS053 | 120 6853 | B 45 |
| 30 | 30 | 124 6902 | 128 6937 | 60 | FAL 36060 | 124 6930 | DPS053 | 128 6983 | B 56 |

*If FLA (Full Load Amps) shown does not match FLA imprinted on motor name plate, refer to Square D charts for correct thermal unit size.

**"C" Face

□ - 5/8" shaft

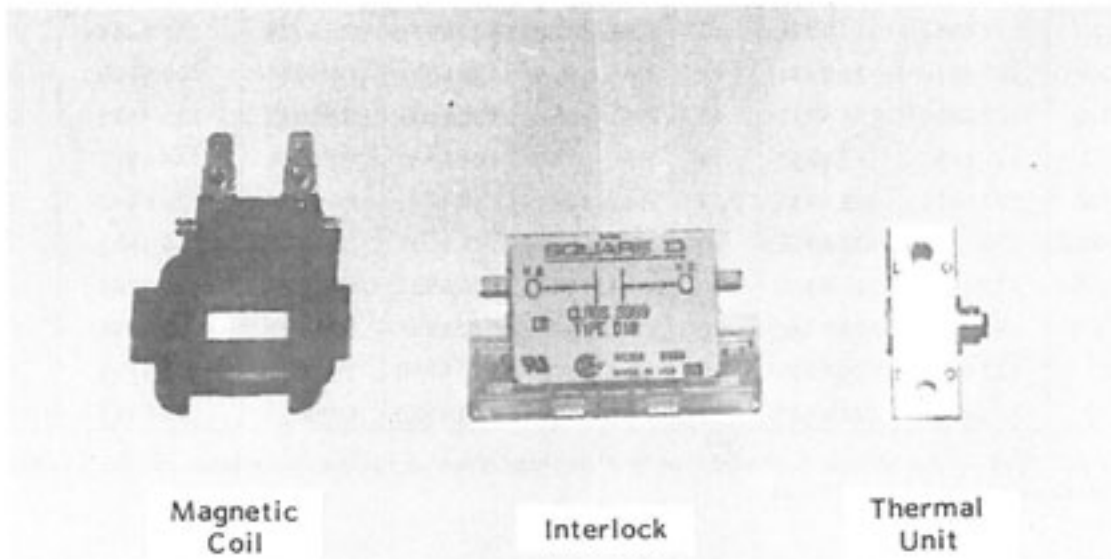
‡ - 7/8" shaft

115V COILS AND INTERLOCKS

| STARTER | | COIL | | INTERLOCK | |
|----------------|----------|----------|-------------|-----------|-------------|
| Sq. "D" No. | M-C No. | M-C No. | Sq. "D" No. | M-C No. | Sq. "D" No. |
| DPA73 | 124 1082 | 122 6861 | 9998-DA3V02 | 124 6933 | 9999-D-20 |
| DPA93 | 124 1083 | 122 6861 | 9998-DA3V02 | 124 6933 | 9999-D-20 |
| DPS053 (50) HZ | 124 6930 | 122 6860 | 9998-DA1V02 | 124 6933 | 9999-D-20 |
| DPS033 (50) HZ | 124 6931 | 122 6860 | 9998-DA1V02 | 124 6933 | 9999-D-20 |
| DPS033 (60) HZ | 124 6931 | 122 6860 | 9998-DA1V02 | 124 6933 | 9999-D-20 |
| DPS053 (60) HZ | 124 6930 | 122 6860 | 9998-DA1V02 | 124 6933 | 9999-D-20 |

JUMPER STRAP KITS AND CONTACT KITS

| STARTER | | JUMPER STRAP KIT (2 straps per kit) | | CONTACT KIT | |
|----------------|----------|--|-------------|-------------|-------------|
| Sq. "D" No. | M-C No. | M-C No. | Sq. "D" No. | M-C No. | Sq. "D" No. |
| DPA73 | 124 1082 | 124 6885 | 9998-S032 | 122 6863 | 9998-DRC7 |
| DPA93 | 124 1083 | 124 6885 | 9998-S032 | 122 6864 | 9998-DRC9 |
| DPS033 (50) HZ | 124 6931 | 120 6841 | 9998-S031 | | |
| DPS053 (50) HZ | 124 6930 | 120 6841 | 9998-S031 | 122 6862 | 9998-DRC5 |
| DPS033 (60) HZ | 124 6931 | 120 6841 | 9998-S031 | | |
| DPS053 (60) HZ | 124 6930 | 120 6841 | 9998-S031 | 122 6862 | 9998-DRC5 |



Magnetic
Coil

Interlock

Thermal
Unit

M-C 1402

This page intentionally blank.

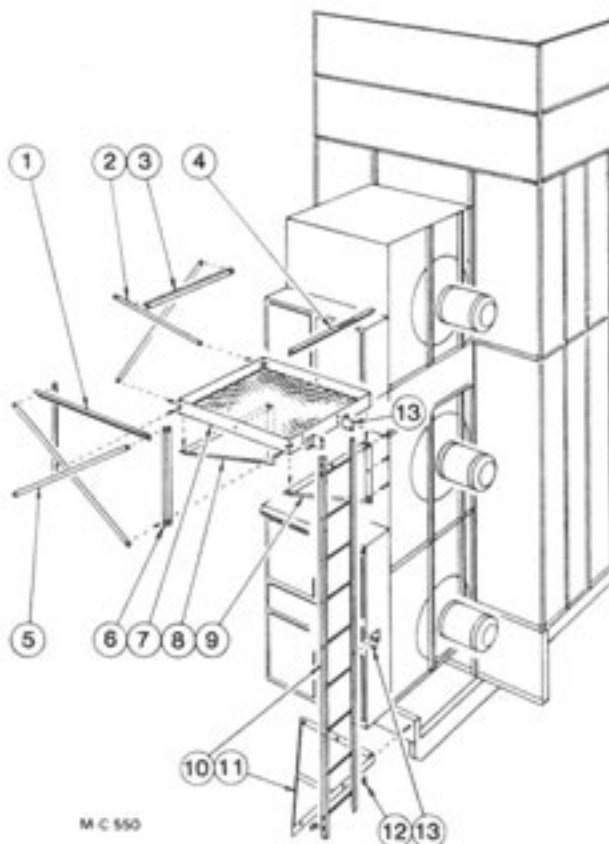
Service Platform (Model 1075)

Service Platform (Model 1175, & 1195)

(Quantities shown are for one platform)

| Ref. | Part No. | Qty. | Description |
|------|----------|------|---------------------------------|
| 1 | 120 4456 | 1 | Front Rail (44") |
| 2 | 120 3315 | 2 | Side Cross Strap (48-11/16") |
| 3 | 120 4459 | 1 | Side Rail - Right (36") |
| 4 | 120 4458 | 1 | Side Rail - Left (36") |
| 5 | 120 3316 | 2 | Front Cross Strap (60%) |
| 6 | 120 4457 | 2 | Vertical Rail (42-9/16") |
| 7 | 120 0039 | 1 | Platform Floor |
| 8 | 120 0040 | 1 | Platform Support - Right |
| 9 | 120 0041 | 1 | Platform Support - Left |
| 10 | 128 0163 | 1 | Ladder - 9 |
| 11 | 120 0042 | 1 | Ladder Lower Mount |
| 12 | 001 3302 | 2 | Universal Angle Clip |
| 13 | 128 4529 | 3 | Ladder Mounting Brkt. |
| — | 000 8119 | 19 | 3/8-16 x 3/4" Capscrew |
| — | 000 8121 | 3 | 3/8-16 x 1" Capscrew |
| — | 000 8123 | 12 | 3/8-16 x 1 1/4" Capscrew |
| — | 000 8168 | 32 | 3/8-16 Flanged Locknut |
| — | 000 8106 | 9 | 5/16-18 x 3/4" Capscrew |
| — | 000 8169 | 9 | 5/16-18 Flanged Locknut |

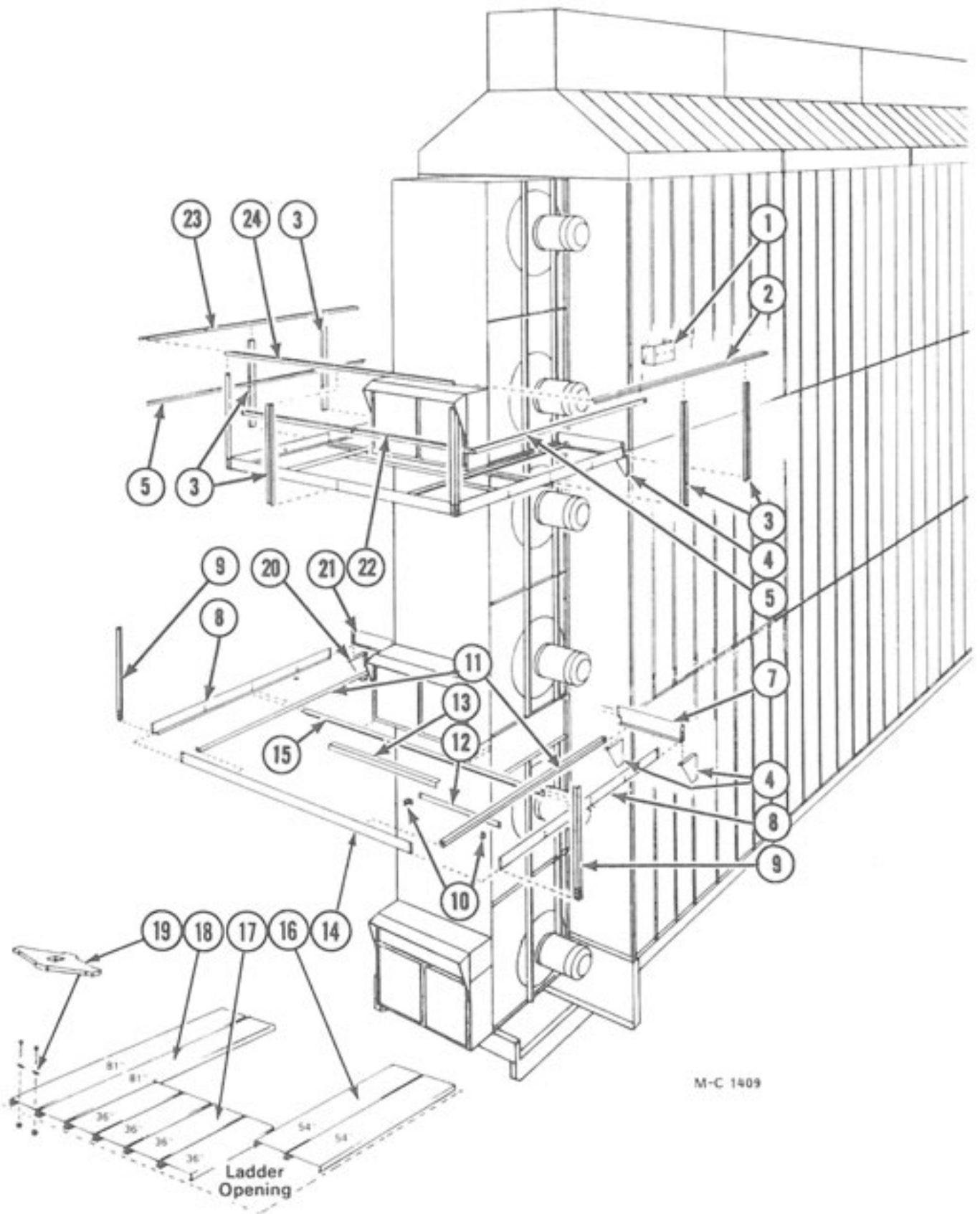
| Ref. | Part No. | Qty. | Description |
|------|----------|------|--|
| 1 | 120 2614 | 2 | "U" Bracket |
| 2 | 120 2607 | 1 | Side Hand Rail - Left (104-11/16") |
| 3 | 120 2611 | 5 | Center and End Post (45 3/8") |
| 4 | 120 4315 | 2 | Support Gusset - Left |
| 5 | 120 2610 | 2 | Side Kick Rail |
| 7 | 120 2618 | 1 | End Flange - Left |
| 8 | 120 2601 | 2 | Side Toe Guard (81 1/4") |
| 9 | 120 2609 | 2 | Corner Brace (44") |
| 10 | 120 2605 | 2 | Small Corner Clip |
| 11 | 120 2602 | 2 | Inside Support Angle (84 3/8") |
| 12 | 120 2603 | 1 | Opening Flange (23 3/4") |
| 13 | 120 2613 | 1 | Center Angle (52 1/2") |
| 14 | 120 2606 | 1 | Front Toe Guard (96") |
| 15 | 120 4313 | 1 | Support Angle (96") |
| 16 | 120 8702 | 2 | Medium Floor Plank (54") |
| 17 | 120 8701 | 4 | Short Floor Plank (36") |
| 18 | 120 8700 | 2 | Long Floor Plank (81") |
| 19 | 120 8994 | 32 | Grating Anchor Clip |
| 20 | 120 4314 | 2 | Support Gusset - Right |
| 21 | 120 2617 | 1 | End Flange - Right |
| 22 | 120 2608 | 1 | Front Kick Rail (96") |
| 23 | 120 2615 | 1 | Side Hand Rail - Right (104-11/16") |
| 24 | 120 2612 | 1 | Front Hand Rail (100") |
| — | 000 8104 | 77 | 5/16-18 x 3/4" Truss Hd. Screw |
| — | 001 8276 | 32 | 5/16-18 x 3" Carriage Bolt |
| — | 000 8109 | 14 | 5/16-18 x 1 1/4" Capscrew |
| — | 000 8169 | 123 | 5/16-18 Flanged Locknut |
| — | 000 8134 | 10 | 3/8-16 x 3/4" Truss Hd. Screw |
| — | 000 8289 | 6 | 3/8-16 x 1 1/2" Capscrew |
| — | 000 8168 | 22 | 3/8-16 Flanged Locknut |
| — | 133 8161 | 4 | 1/2-13 x 1 1/2" Capscrew |
| — | 000 8170 | 4 | 1/2-13 Flanged Locknut |



M C 550

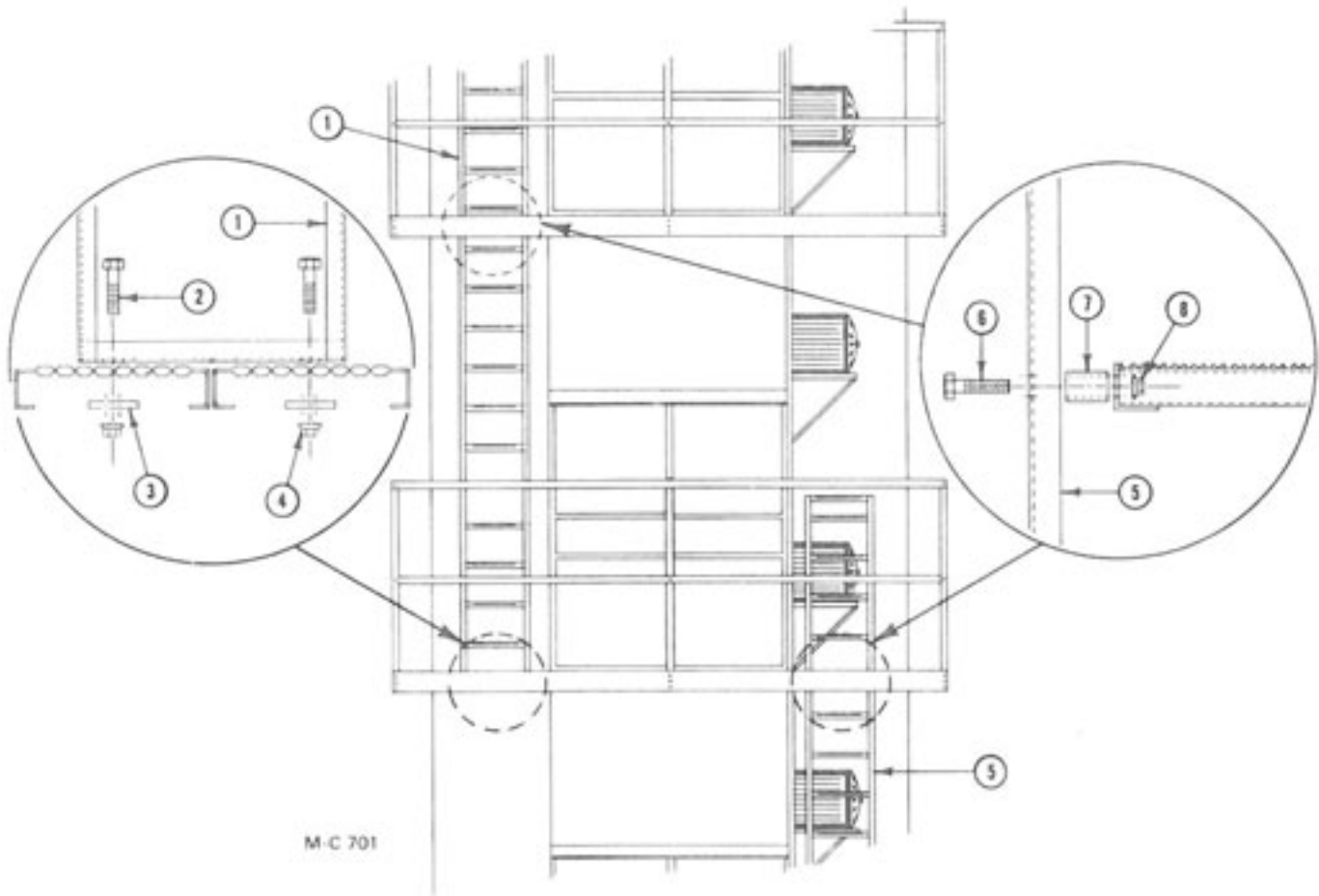
Service Platform

(Model 1175, and 1195)

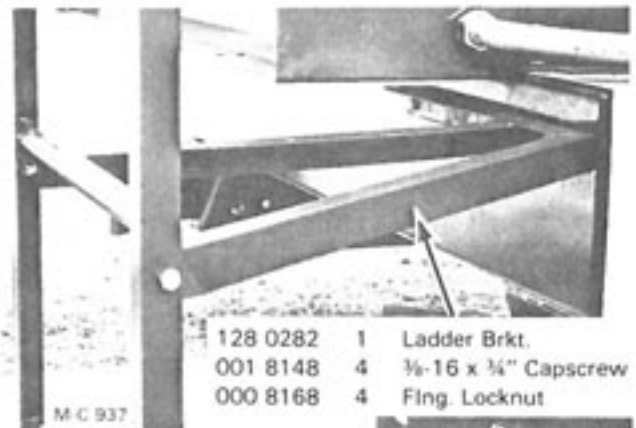


Service Platform Ladder(s)

(Model 1175, and 1195)

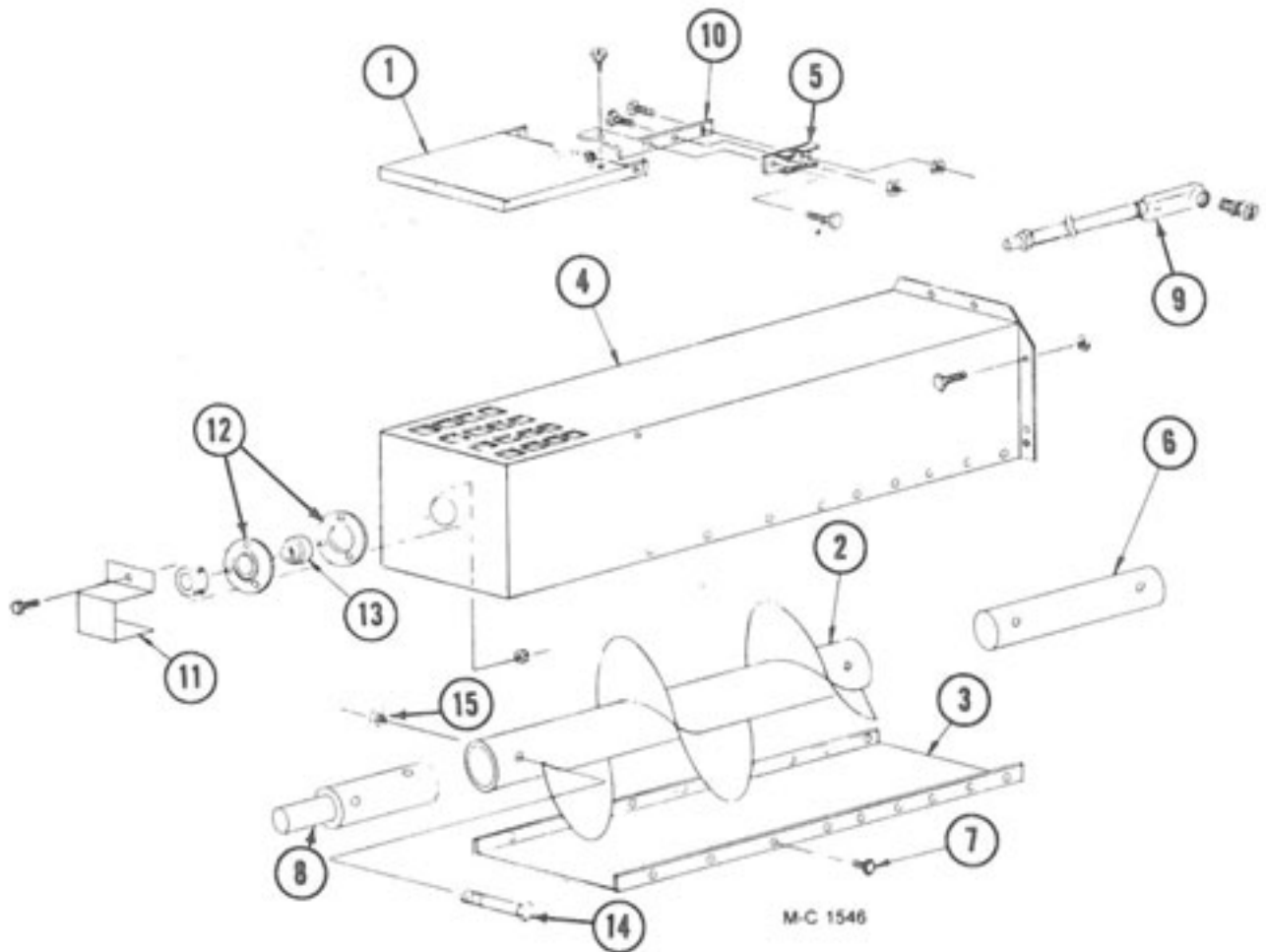


| Ref. | Part No. | Qty. | Description |
|------|----------|------|--|
| 1 | 120 0045 | 1 | Upper Platform Ladder - 11½' (Not on 1175) |
| 2 | 000 8123 | 2 | ¾-16 x 1¼" Capscrew |
| 3 | 128 4525 | 2 | Flatwasher ¾ x 2" OD |
| 4 | 000 8168 | 2 | ¾-16 Flanged Locknut |
| 5 | 120 0044 | 1 | Lower Platform Ladder - 14½' |
| 6 | 000 8226 | 2 | ¾-16 x 2" Capscrew |
| 7 | 091 5427 | 2 | Spacer - 1" Long |
| 8 | 000 8168 | 2 | ¾-16 Flanged Locknut |



| | | |
|----------|---|--------------------|
| 128 0282 | 1 | Ladder Brkt. |
| 001 8148 | 4 | ¾-16 x ¾" Capscrew |
| 000 8168 | 4 | Fing. Locknut |

**10" Unloading Auger Extension Kit (2') - 127 1229,
(4') - 127 1230, and (6') - 127 1233**

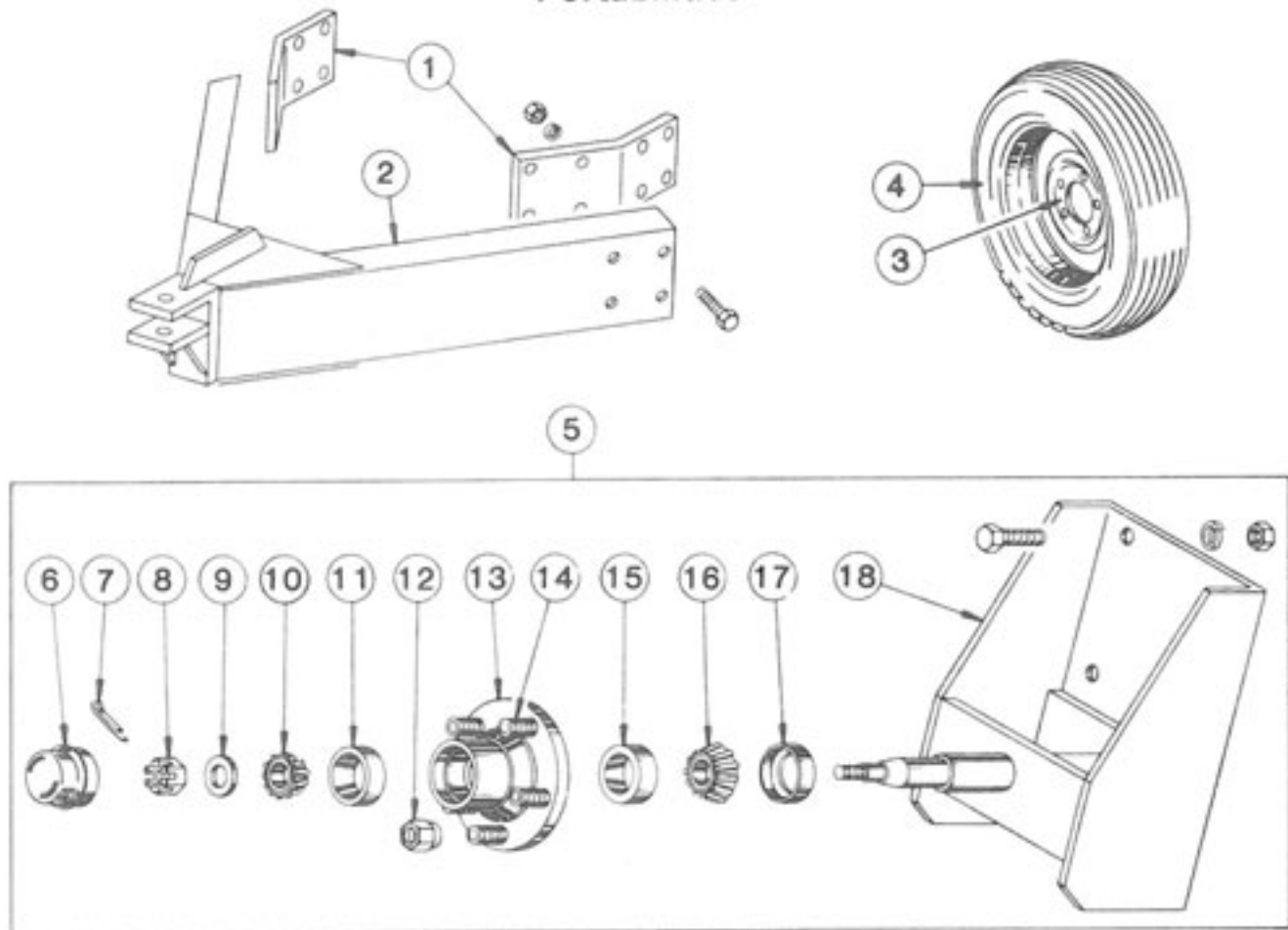


| Ref. | Part No. | Qty. | Description |
|------|----------|------|----------------------|
| 1 | 128 4712 | 1* | Over Load Door |
| 2 | 128 0310 | 1 | 2' Extension Auger |
| | 128 0312 | 1 | 4' Extension Auger |
| | 128 0315 | 1 | 6' Extension Auger |
| 3 | 124 4465 | 1 | 2' Bottom Cover |
| | 124 4466 | 1 | 4' Bottom Cover |
| | 124 4471 | 1 | 6' Bottom Cover |
| 4 | 128 0311 | 1 | 2' Discharge Housing |
| | 128 0313 | 1 | 4' Discharge Housing |
| | 128 0314 | 1 | 6' Discharge Housing |
| 5 | 120 6801 | 1* | Switch Mount Clip |
| 6 | 128 5618 | 1* | Unload Auger Link |

| Ref. | Part No. | Qty. | Description |
|------|----------|------|---|
| 7 | 001 8284 | - | 5/16-12 x 1/2" Tapping Bolt (Qty. - 8, 16 or 24) |
| 8 | 124 5611 | 1* | U.A. Output Shaft |
| 9 | 127 1231 | 1 | 2' Extension Lquatite Assy. |
| | 127 1232 | 1 | 4' Extension Lquatite Assy. |
| | 127 1234 | 1 | 6' Extension Lquatite Assy. |
| 10 | 128 2937 | 1* | Bulb Mount |
| 11 | 128 3011 | 1* | Stub Shaft Guard |
| 12 | 001 6004 | 2* | 1 1/4" Bearing Flangettes |
| 13 | 001 6003 | 1* | 1 1/4" Bearing w/Collar |
| 14 | 000 8229 | 4 | 3/8"-16 x 2 3/4" HHCS Gr.5 ZP |
| 15 | 000 8205 | 4 | 3/8"-16 Flanged Locknut |

*Not included in kit when field installed.

Portabilities



M-C 980

120 1030 - 4 Wheel Portabilities (Incl. ref. 1 & 2 and four of ref. 3 & 5 - less tires)

120 1031 - 6 Wheel Portabilities (Incl. ref. 1 & 2 and six of ref. 3 & 5 - less tires)

120 1043 - 8 Wheel Portabilities (Incl. ref. 1 & 2 and eight of ref. 3 & 5 - less tires)

120 1040 - Additional Portabilities (Incl. two of ref. 3 & 5 - less tires)

| Ref. | Part No. | Qty. | Description | Ref. | Part No. | Qty. | Description |
|------|----------|------|---|------|----------|------|--|
| 1 | 128 3671 | 2 | Pole Mount Brkt. | 6 | 001 8996 | 1 | Hub Cap |
| | 128 8196 | 8 | 3/4 - 10 x 2 1/2" Capscrew - Grd. 5 | 7 | 001 8252 | 1 | Cotter Pin - 1/8" x 1" |
| | 000 8182 | 8 | 3/4" Lockwasher | 8 | 001 8253 | 1 | Spindle Nut |
| | 000 8165 | 8 | 3/4 - 10 Hex Nut | 9 | 001 8254 | 1 | Spindle Washer |
| 2 | 120 0047 | 1 | Dryer Pole | 10 | 001 6000 | 1 | Bearing Cone - Outer |
| | 128 8195 | 8 | 3/4 - 10 x 2" Capscrew - Grd. 5 | 11 | 002 6000 | 1 | Bearing Cup - Outer |
| | 000 8182 | 8 | 3/4" Lockwasher | 12 | 001 8989 | 5 | 1/2 - 20 Lug Nut - 45° |
| | 000 8165 | 8 | 3/4 - 10 Hex Nut | 13 | 001 8992 | 1 | Wheel Hub Ass'y. - 5 Bolt (Incl. ref. 11, 14 & 15) |
| 3 | 001 8993 | 1 | 5 Bolt Wheel - 15" | 14 | 002 8152 | 5 | 1/2 - 20 x 1 1/2" Stud |
| 4 | 127 8990 | 1 | 7.60 x 15 - 6 Ply Tubeless Tire | 15 | 002 6001 | 1 | Bearing Cup - Inner |
| 5 | 120 1028 | 1 | Wheel Spindle & Hub Ass'y. (Incl. ref. 6 thru 18) | 16 | 001 6001 | 1 | Bearing Cone - Inner |
| | 000 8146 | 6 | 3/8 - 11 x 1 1/2" Capscrew - Grd. 5 | 17 | 001 8991 | 1 | Seal |
| | 000 8181 | 6 | 3/8" Lockwasher | 18 | 120 0031 | 1 | Wheel Mount |
| | 000 8164 | 6 | 3/8 - 11 Hex Nut | | | | |

Kits (Field Installed)

(Model 675 thru 1195)

Base Section Control Station Kits — For S/N 48981 & Up

127 1206 — Model 1175

127 1207 — Model 1195

Burner Kits

127 9000 — Extra Burner - LP Gas

127 9004 — Extra Burner - Natural Gas

Decal Kit - All Models (see note 1)

128 9017

Gas Conversion Kits — Dual Fuel

127 9148 — Natural Gas to LP Gas - Model 675 & 975 w/o Extra Burner

127 9149 — Natural Gas to LP Gas - Model 675 & 975 w/Extra Burner

127 9145 — Natural Gas to LP Gas - Model 775 & 1075 w/o Extra Burner

127 9152 — Natural Gas to LP Gas - Model 775 & 1075 w/Extra Burner

127 9146 — Natural Gas to LP Gas - Model 875 & 1175 w/o Extra Burner

127 9147 — Natural Gas to LP Gas - Model 875 & 1175 w/Extra Burner

128 9018 — LP Gas to Natural Gas - Model 675 thru 1195

Walkway Kits (see note 2)

129 1011 — Model 675, 775, 875, & 895

129 1001 — Model 975, 1075, 1175, & 1195

NOTE 1: Kit contains all decals except dryer model decals.

They must be ordered separately, see ref. 10 page 7 and ref. 1 & 2 page 26.

NOTE 2: Dryers must be equipped with Peak and Hopper Kits

129 9000 or 129 9001 before walkway can be installed.

This page intentionally blank.



Iron Horse Quality