

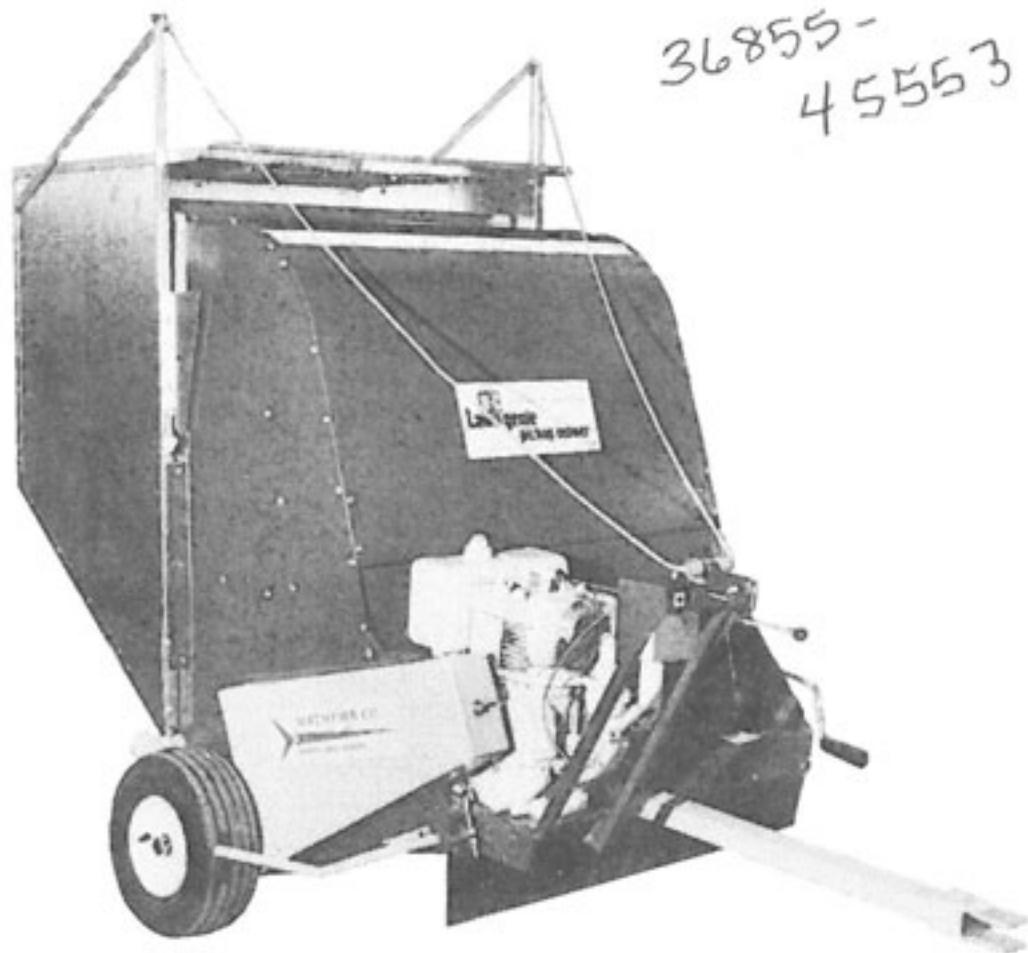


TAKES THE WORK OUT OF LAWN AND ESTATE CARE

Price ~~549.95~~

lawn genie

FLAIL PICKUP MOWER



OPERATOR'S MANUAL

MODEL LG 36A Serial #36855 & Up

MANUFACTURED UNDER PATENT NO. 3,633,349; 3,693,335 OTHER PATENTS PENDING.

READ ALL INSTRUCTIONS BEFORE OPERATING

The LAWN GENIE is basically a flail mower that has the unique feature of picking up the material that has been cut. This feature is standard on the LG36A and LG48A. On the larger units it is an accessory.

For best results, the operation of the LAWN GENIE should be clearly understood. The rotor is a large diameter tube with patented spring loaded hangers and two patented replaceable swinging knives to each hanger. These high carbon steel hangers and knives are arranged in four staggered rows evenly spaced across the length of the rotor to give a uniform cut the full width of the mower. SEE PICTURE on Page 3.

The knives are fastened to the rotor with patented spring loaded knife hangers. Replacing knife blades or attaching blades is a simple operation. Slide the hanger over against the spring and remove or replace the blades.

CENTRIFUGAL CLUTCH

The 8 H.P. engine is equipped with a centrifugal clutch pulley. When the engine is idling, the clutch pulley is disengaged. When you apply full throttle, the centrifugal force engages the clutch pulley to drive the rotor. If engine R.P.M. starts to drop from too heavy of a load, the centrifugal clutch will begin to disengage. This condition will cause slipping and excessive heat build-up and premature failure of the clutch. Always maintain maximum engine R.P.M. which is 3600 R.P.M.

SAFETY GUARDS

Safety guards are for your protection. KEEP THEM IN PLACE!

POLE ADJUSTMENT

The pole has three positions for level adjustment under the front deck of the LAWN GENIE depending on the tractor drawbar height (which should be between five and eight inches from the ground.) Select the position that levels the front deck to the ground.

DAMPER ADJUSTMENT

To mow and load the clippings, pull the damper control rod forward. To mow only, push the damper rod back. This opens or closes the damper panel which allows clippings to travel up the chute and into the hopper or directly back to the ground.

MOWING

For normal lawn mowing you adjust the cutting height by turning the crank on the left front side of the machine. When cutting heavy grass from 4-6" in height your ground speed should be slower than if the grass were only 2" high. Determine the type of job you have and govern your ground speed accordingly.

When cutting fresh and tender or wet grass, it may be difficult to dump the hopper because of the extra weight. Under these conditions it is advisable to either partially fill the hopper before dumping it, or install the optional hopper winch kit.

SEE PAGE 9.

An important feature of the LAWN GENIE is its ability to sweep leaves in the fall of the year. Mowing with the standard machine will cut up the leaves and decrease their volume for pick-up.

A leaf mulching attachment is available which can easily be inserted in the rear portion of the LAWN GENIE (See illustration--Page 10. Leaves are mulched fine enough to be left on the ground to decompose and add nutrients into the soil. If you choose to pick up the mulched leaves, pull out the damper push rod, go back over the lawn and load the leaves into the hopper. It is not necessary to remove the leaf mulching screen for this part of the operation.

CAUTION

Do not use thatching blades with leaf mulching screen because tips of blades will contact screen.



DANGER

1. KEEP ALL GUARDS IN PLACE
2. STOP MOTORS OR ENGINE BEFORE ADJUSTING, LUBRICATING, CLEANING, OR UNLOADING MACHINES, UNLESS OTHERWISE SPECIFICALLY RECOMMENDED IN THE "OPERATOR'S MANUAL"
3. WAIT FOR ALL MOVEMENT TO STOP BEFORE SERVICING THE MACHINE
4. KEEP HANDS, FEET AND CLOTHING AWAY FROM POWER DRIVEN PARTS
5. KEEP OFF EQUIPMENT UNLESS SEAT OR PLATFORM FOR OPERATION AND OBSERVATION IS PROVIDED
6. KEEP ALL OTHERS OFF
7. USE FLASHING WARNING LIGHTS WHEN OPERATING ON HIGHWAYS EXCEPT WHEN PROHIBITED BY LAW
8. MAKE CERTAIN EVERYONE IS CLEAR OF MACHINE BEFORE STARTING OPERATION

MAINTENANCE — ALL MAINTENANCE MUST BE DONE WITH THE ENGINE STOPPED

CLUTCH and BEARINGS

The drive clutch, ground roller bearings and idler pulley can be serviced by replacement only.

BELT ADJUSTMENT

Maintain tension on the belt by adjusting the J bolt (Ref. 28, Page 5).

If the rotor does not turn, check the drive belt. If the drive belt is tight and the rotor does not turn, the rotor is likely jammed by some field debris and requires clearing. **Be sure engine is shut off.**

CLEANING

When cutting wet grass, the grass may build up on the underside of the machine. It is recommended that you hose down the housing, chute and rotor after use. A clean chute provides a smooth flow for the material to the hopper.

KNIVES and ROTOR

The knives can be reversed to expose a new cutting edge. If necessary, the knives can be removed and sharpened on any electrical bench grinder.

The rotor must not be run with knives missing. If knives are lost or missing, the rotor will be out of balance and the machine will vibrate. If this happens, stop the engine and inspect the knives by lifting off the hopper and opening or removing the rear inspection cover. Refer to illustration and parts list on page 5 if replacements are necessary.

TIRE & WHEELS

Tire pressure must be equal in order to obtain an even cut. Grease the wheel bearings every 40 hours with multi-purpose grease at grease fitting on the wheel.

ENGINE

The engine manufacturers manual clearly illustrates all Operating and Maintenance Instructions for the engine. (Enclosed in Warranty Envelope).

HEIGHT ADJUSTMENT CRANK

A few drops of oil on the bearing and screw will ensure easy, quick adjustment.

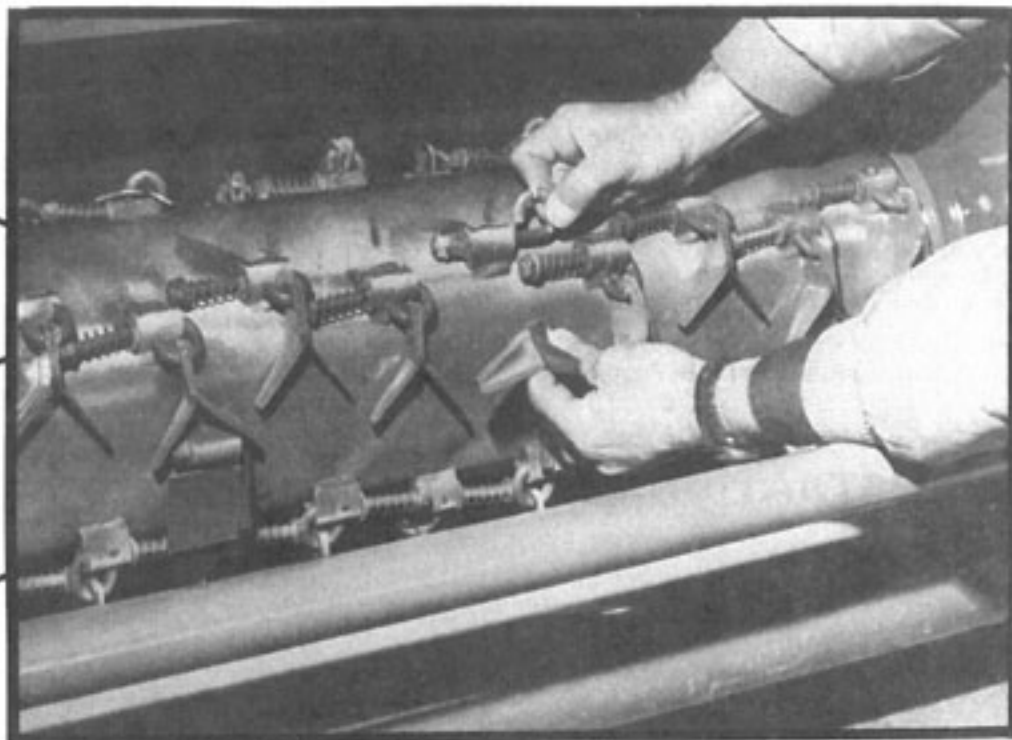


REAR VIEW — WITH COVER REMOVED
DANGER: NEVER RUN GENIE WITH REAR COVER REMOVED

ROW - 1

ROW - 2

ROW - 3



Staggered Row 1 — All hanger nuts to the left

Staggered Row 2 — All hanger nuts to the left

Staggered Row 3 — All hanger nuts to the right

Staggered Row 4 (Hidden) — All nuts to the right

To get the proper overlap of knives, the hangers must be installed as illustrated.

ADDITIONAL OPERATIONS

THATCHING

Much has been written about thatch; its causes, controls, and effects. Perhaps it may be best, first of all, to define what thatch is. It is the accumulation of non-decomposed plant residue in turf between the soil level and greening area of the grass plant. It is principally composed of decomposing stems and rhizomes which are higher in cellulose, rather than more quickly decomposing leaves.

A heavy layer of thatch effectively impedes the movement of water through to the roots, traps fertilizer and keeps it from feeding the growing plant. Many of the modern fungicides and insecticides rely on heavy watering to be efficient.

An even more serious problem is the increased probability of disease. Modern turf management is like walking a tightrope. We need vigorous grass to resist the invasion of weeds and other undesirable plants, and yet vigorous grasses produce thatch.

The Mathews Company has given the professional turf manager or homeowner his balancing pole in the form of the versatile Lawn Genie. Used as a thatching unit it not only thatches but picks up the thatch in the same operation.

This same machine can then be used as a pick-up mower and thus eliminate the clippings from becoming thatch.

The problem will always face the turf manager, but with his own "Genie" working for him he has the finest piece of turf care equipment available.

PREPARATION FOR OVERSEEDING

The Lawn Genie is an excellent machine for overseeding. With both the mowing blades and thatching blades installed on the machine, it will do an excellent job of preparing an existing lawn for overseeding. The thatching blades hang down $\frac{3}{8}$ " lower than the mowing blades (See Illustration "A") and will remove the mat of dead grass and give you a seed bed in the existing turf. You will be mowing your grass at a height of $\frac{3}{8}$ " while you are preparing a seed bed.

CAUTION: Some grasses will not withstand cutting at this short height, so knowledge of your particular strain of grass is necessary. If you do not want to cut your grass this short, then follow the steps listed in the verti-cut section, and you will have excellent results.

IMPORTANT: To insure maximum pick-up it is necessary to maintain a constant rotor speed of at least 1900 RPM so that depth and ground conditions will play a major role in determining ground speed in all of the above operations. If rotor speed starts to slow down, reduce the speed you are pulling the Lawn Genie over the ground.

VERTI-CUTTING

To go along with the thatching operation—the same blade is used for verticutting. The operation is basically the same. The term verti-cut is used when you are working with different strains of grass such as Creeping Bent, Bermuda, St. Augustine, etc. These types of grass spread very rapidly in ideal conditions. They grow horizontally and have a tendency to grow on the surface of the ground. By verti-cutting you cut the plants horizontal growth and force the roots to grow downwards which makes for a healthier plant that is taking nutrients and moisture from the soil.

The Lawn Genie is very useful for this operation because you can pick up the debris as you verti-cut. If you place a thatching blade on every hanger, the knives will strike the ground about $\frac{1}{2}$ " apart. By placing a thatching blade on every other hanger you will widen the distance between knives by $\frac{1}{2}$ ". For example—thatching blades on every hanger would be $\frac{1}{2}$ " apart, on every other hanger they would be 1" apart, and on every third hanger they would be $1\frac{1}{2}$ " apart. Whatever arrangement is used, they must be installed in same amounts 180° apart to keep the rotor in balance.

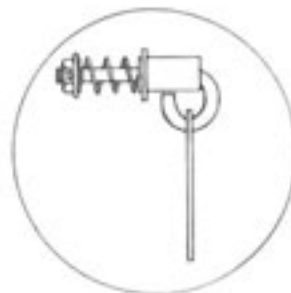
Only the thatching blades alone are used for this operation (See Illustration "B"). They are available in kit form and include wide vacuum paddles (Ref. 15, Page 5) for added pick-up ability.

ILLUSTRATION - A



COMBINATION
THATCHING BLADES
AND CUTTING BLADES

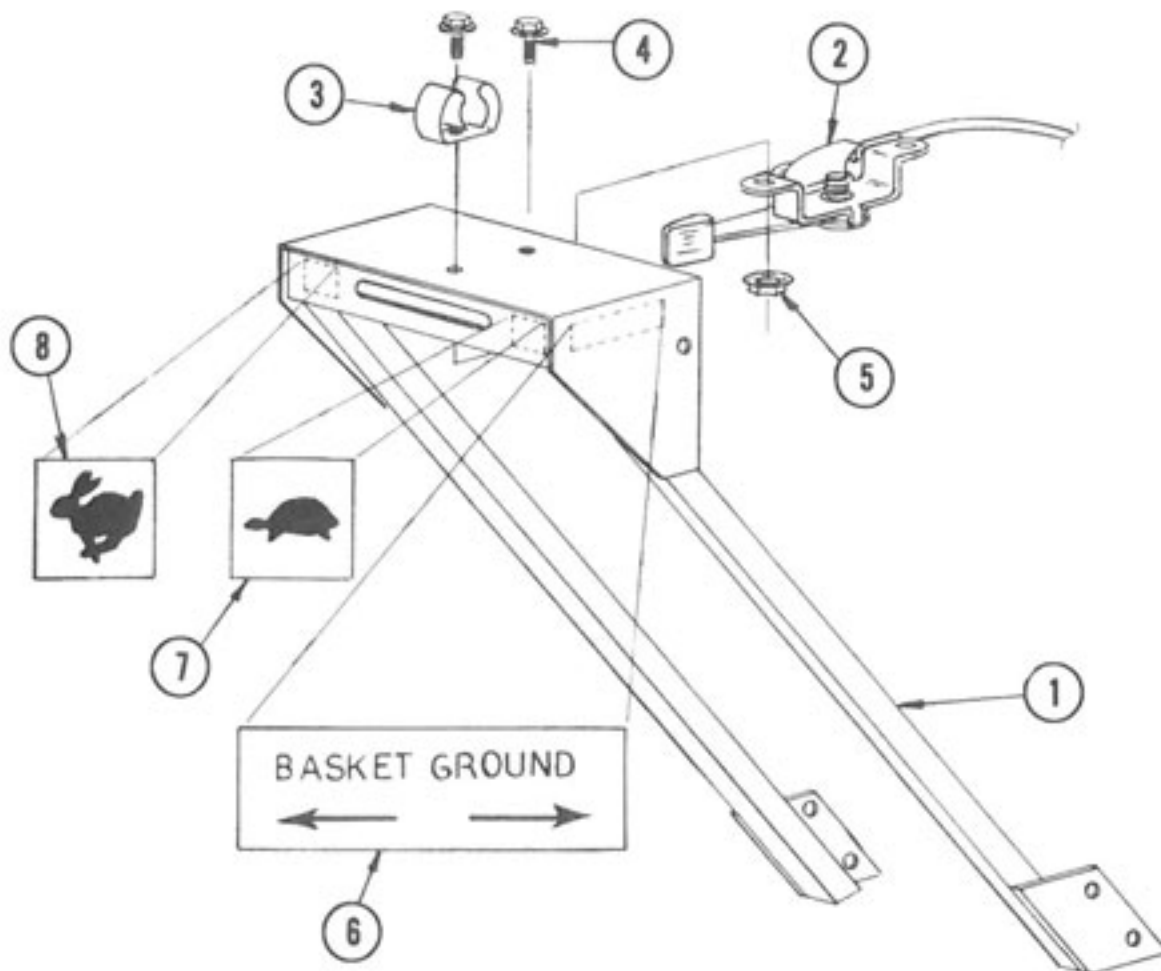
ILLUSTRATION - B



THATCHING BLADE ALONE

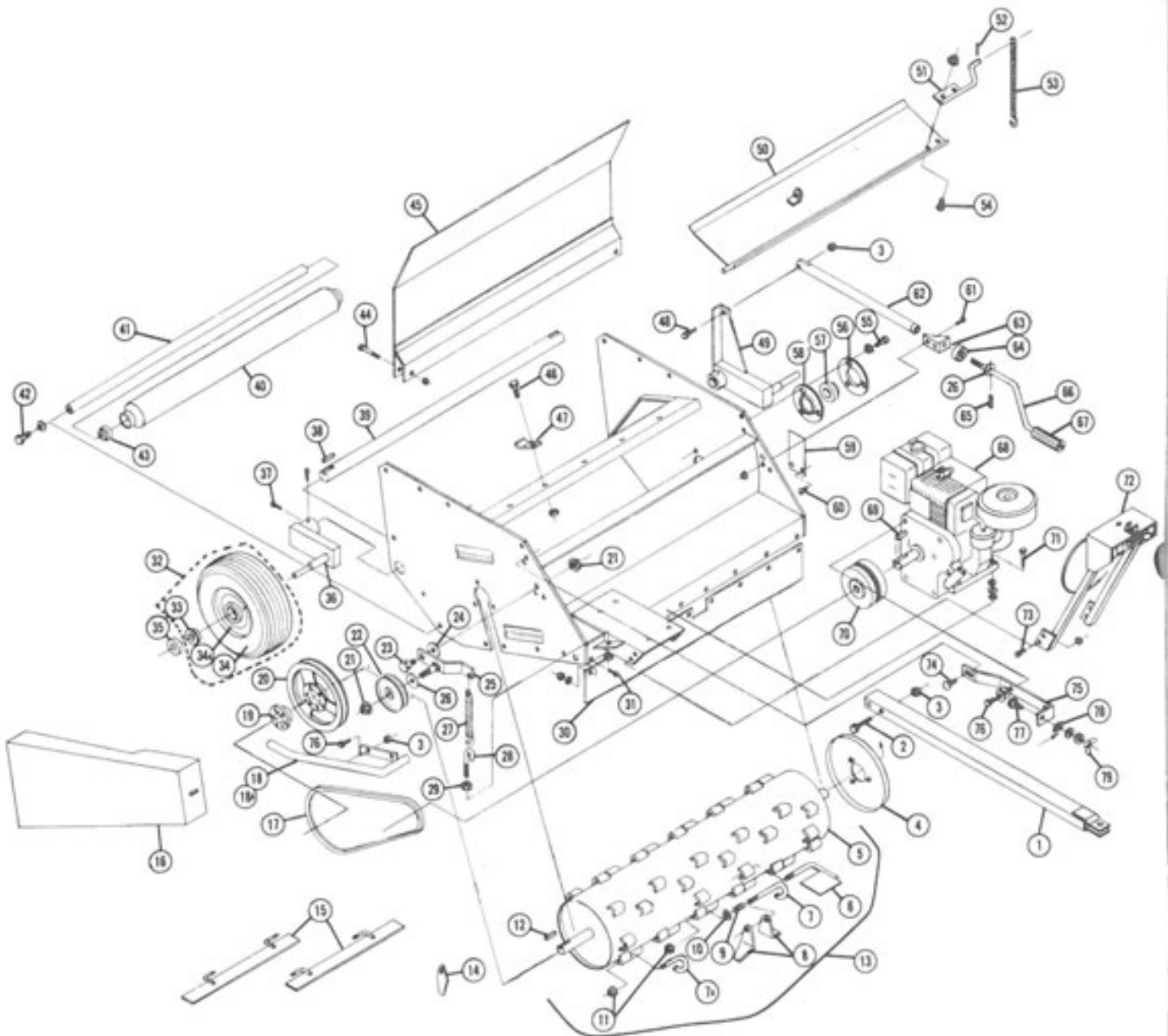
LAWN GENIE CONSOLE

ASSEMBLY #1311045



REF.	QTY.	PART #	DESCRIPTION
1	1	1310011	Console Weldment
2	1	1317000	Throttle Control
3	1	1318994	Spring Clip Hook
4	2	0008223	#10-32 x 1/2 Hex Washer Head Screw
5	2	0008124	#10-32 Whiz Nut
6	1	1318301	Basket - Ground Decal
7	1	1318303	Turtle (Slow) Decal
8	1	1318302	Rabbit (Fast) Decal

L36A MOWER ILLUSTRATION



PARTS LIST

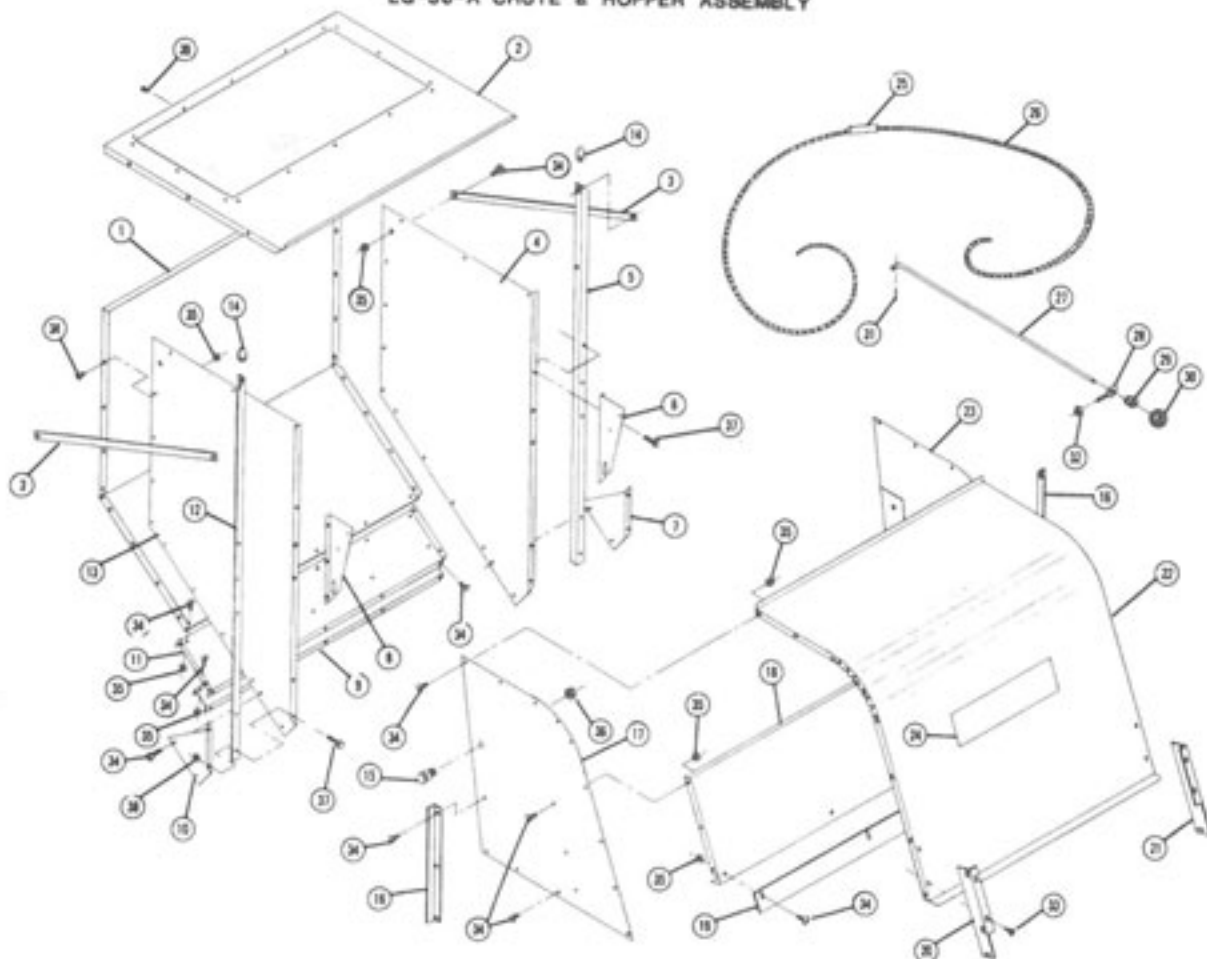
REF.	PART #	QTY.	DESCRIPTION	REF.	PART #	QTY.	DESCRIPTION
1	1310077	1	Pole Weldment	45	1310010	1	Rear Cover
2	0008132	2	3/8-16 x 3/4 HHCS	46	0008100	2	1/4-20 x 3/4 HHCS
3	0008204	7	3/8-16 Nylock Nut		0008210	2	1/4-20 2-Way Locknut
4	1310027	2	Anti-Wrap Flange	47	1313305	2	Locking Clip
5	1310083	1	Rotor Weldment	48	0008290	1	3/8-16 x 1 1/2 HHCS
6	1310017	8	Vacuum Paddle	49	1310007	1	Wheel Mount - Left Side
7	1318709	40	Spring Loaded Knife Hanger	50	1310008	1	Damper Panel
7A	1318707	2	Knife Hanger	51	1310003	1	Damper Panel Crank
8	1314446	84	Knife Blade	52	0008249	2	1/2 x 3/4 Cotter Pin
9	1318708	40	Spring	53	1318990	1	Damper Spring
10	0008173	40	5/16 Flatwasher	54	0008211	2	1/4-20 x 1/2 Truss Head
11	0008205	50	3/8-16 Flanged Mac Locknut		0008158	2	1/4-20 Hex Nut
12	0015149	1	3/8 x 1 1/4 Key		0008178	2	1/4" Lockwasher
13	1311040	1	36" Rotor Assembly, Complete	55	1318133	6	3/8-16 x 1 1/4 HHCS Grd. #5 NY Patch
14	1334445	42	Thatching Blade (Optional)		0008179	6	3/8 Raw Lockwashers
15	1330024	4	Wide Vacuum Paddle (Optional)	56	0016019	2	1-7/16" 3-Bolt Flangette w/Zerk
16	1310018	1	Belt Guard	57	0016020	2	1-7/16" Bearing W/Collar
17	0016100	1	B-56 Prime Mover V-Belt	58	0016021	2	1-7/16" 3-Bolt Flangette
18	1310013	1	Tree Guard Right	59	1314466	2	Slot Cover Plate
18A	1310012	1	Tree Guard Left	60	0008212	4	1/4-20 x 1/2 Truss Head
19	1316206	1	SDS 1-7/16" Bore Bushing		0008158	4	1/4-20 Hex Nut
20	0016205	1	1 B/8.6 PD Sheave (SDS)		0008178	4	1/4" Lockwasher
21	0008163	2	1/2-13 Hex Nut	61	0008100	2	1/4-20 x 3/4 HHCS
	0008180	2	1/2" Lockwasher		0008158	2	1/4-20 Hex Nut
22	0016200	1	Idler 4 1/2" O.D. 1/2" Bore		0008178	2	1/4" Lockwasher
23	0018163	1	Shoulder Bolt	62	1310005	1	Mower Ram Tube
24	1312945	1	Shim (Special) 3/4 I.D.	63	1310039	1	Crank Bracket
25	1310040	1	Idler Arm Weldment	64	1316000	1	Unground Thrust Bearing
26	0008175	2	1/2" Flatwasher	65	1338254	1	3/16 x 1" Roll Pin
27	1318256	1	Idler Spacer	66	1315175	1	Crank Screw
28	0018132	1	J-Bolt 3/8-16 x 4" w/3" THD.	67	1318991	1	Crank Handle
29	0008162	2	3/8-16 Hex Nut	68	1318500	1	8 HP Engine
30	1318985	1	Wind Flap	69	0015151	1	1/4 x 1/4 x 2 1/4 Key
31	0008100	8	1/4-20 x 3/4 HHCS	70	1316600	1	Centrifugal Clutch
	0008173	8	5/16 Flatwasher	71	0018115	4	5/16-18 x 2 HHCS Grd. #5
	0008158	8	1/4-20 Hex Nut		0008173	4	5/16 Flatwasher
	0008178	8	1/4" Lockwasher		0008222	4	5/16 Lockwasher
32	1318993	2	Wheel Assembly Complete		0008159	4	5/16-18 Hex Nut
33	1326600	4	Wheel Bearing 3/4" Bore	72	1311045	1	Console Ass'y. (Refer to Pg. 7)
34	1328998	2	Tire 13.500 x 6	73	0008106	4	5/16-18 x 3/4 HHCS
34A	1328997	2	Wheel Assembly W/Bearings		0008159	4	5/16-18 Hex Nut
35	1318995	2	Stop Collar		0008222	4	5/16" Lockwasher
36	1310006	1	Wheel Mount - Right Side	74	0008122	1	3/8-16 x 1" Carriage Bolt
37	1318131	4	3/8-16 x 1/2 Sq. Cn. Pt. Set Screw		0008162	1	3/8-16 Hex Nut
38	0015132	2	3/8 x 3/8 x 2 Key		0008179	1	3/8" Lockwasher
39	1315042	1	Mower Main Axle	75	1313402	1	Engine Side Brace
40	1311007	1	Roller Assembly Inc. #41 & #43	76	0008121	2	3/8-16 x 1" HHCS
41	1315193	1	Roller Tie Rod		0008179	2	3/8 Lockwasher
42	0008137	2	1/2-13 x 1 1/4 HHCS		0008174	2	3/8 Flatwasher
	0008180	2	1/2" Lockwasher	77	0008108	1	5/16-18 x 1" HHCS
43	1316002	2	Roller Bearing 3/8" I.D.	78	0018112	1	5/16-18 Self Locking Speed Nut
44	0008101	2	1/4-20 x 2 HHCS	79	0008166	1	5/16-18 Wing Nut
	0008210	2	1/4-20 2-Way Locknut		0008222	1	5/16 Lockwasher
					0008173	1	5/16 Flatwasher

*MUST INCLUDE
2 OF 1318714
LOCK COLLAR
ALSO*

LG-36-A CHUTE & HOPPER PARTS LIST

REF.				REF.			
#	PART #	QTY.	DESCRIPTION	#	PART #	QTY.	DESCRIPTION
1	1334880	1	Rear Hopper Panel	22	1334886	1	Chute Front Panel
2	1331045	1	Hopper Top Assembly	23	1330036	1	Chute Side - Right
			Consisting Of:	24	1318300	1	Lawn Genie Decal
	1332945	1	Hopper Top Panel	25	1318992	1	Wooden Rope Handle
	1338990	1	Hopper Screen	26	0015998	1	Pull Rope
3	1312005	2	Hopper Side Brace	27	1318987	1	Damper Control Rod
4	1332947	1	Hopper Side Panel - Left	28	1318100	1	1/4-20 x 2 1/2 Eye Bolt
5	1332605	1	Side Post Angle - Left	29	1318977	1	Pull Rod Grommet
6	1312602	1	Left Post Bracket	30	1318991	1	Ball Knob
7	1332830	1	Hopper Gusset - Left	31	0008249	1	1/8 x 3/4 Cotter Pin
8	1312601	1	Right Post Bracket	32	0008158	2	1/4-20 Hex Nut
9	1334452	1	Hopper Stiffener Channel	33	0008212	8	1/4-20 x 3/4 Truss Head
10	1332831	1	Hopper Gusset - Right	34	0008213	76	1/4-20 x 1/2 Phillips Truss Head
11	1334774	1	Bottom Hopper Rail	35	0008158	84	1/4-20 Hex Nut
12	1332606	1	Side Post Angle - Right		0008178	84	1/4" Lockwasher
13	1332946	1	Hopper Side Panel - Right	36	0008163	2	1/2-13 Hex Nut
14	1318978	2	Pull Rope Link		0008180	2	1/2" Lockwasher
15	1305000	2	Hopper Pivot Pin	37	0008106	16	5/16-18 x 3/4 HHCS
16	1314431	2	Hopper Stop	38	0008159	16	5/16-18 Hex Nut
17	1330035	1	Chute Side - Left		0008222	16	5/16" Lockwasher
18	1314775	1	Upper Inside Panel	39	0018264	5	#10 x 1/2 Hex Washer Head
19	1314428	1	Cut-Off Bar				
20	1334655	1	Chute Brace - Right				
21	1334654	1	Chute Brace - Left				

LG-36-A CHUTE & HOPPER ASSEMBLY



CHUTE ASSEMBLY

1. Remove Items #46 and #47, page 5 and pivot the Rear Cover Weldment (Ref. 45) up and away from the top of the machine body. These bolts and clips will be reinstalled later.

(Refer To Chute and Hopper Assembly Drawing, Page 7)

2. Bolt the right and left chute side weldments (Ref. 17 & 23) to the sides of the machine body with $\frac{1}{4}$ -20 \times $\frac{1}{2}$ " Truss Head Screws and $\frac{1}{4}$ -20 hex nuts and lockwashers. Keep the heads of the screws to the inside of the chute.
3. Bolt the Chute Front Panel (Ref. 22) in place to the outside of the side weldments with $\frac{1}{2}$ -20 \times $\frac{1}{2}$ " Truss Head Screws and $\frac{1}{4}$ -20 hex nuts and lockwashers. This time keep the heads of the screws to the outside of the chute.
4. Bolt the right and left Chute Braces (Refs. 20 & 21) in place to the outside of the side weldments using $\frac{1}{4}$ -20 \times $\frac{1}{2}$ " Truss Head Screws and $\frac{1}{4}$ -20 hex nuts and lockwashers.
5. Mount Cut-Off Bar (Ref. 19) to the Inside Chute Panel (Ref. 18) with $\frac{1}{4}$ -20 \times $\frac{1}{2}$ " Truss Head Screws and $\frac{1}{4}$ -20 hex nuts and lockwashers. Heads of screws should be toward front of machine. DO NOT TIGHTEN THESE BOLTS YET.
6. Bolt the Inside Chute Panel (Ref. 18) to the side weldments (Refs. 17 & 23) with $\frac{1}{4}$ -20 \times $\frac{1}{2}$ " Truss Head Screws and $\frac{1}{4}$ -20 hex nuts and lockwashers. Heads of screws should be on outside of machine sides.
7. Reinstall the clips, nuts and bolts that were removed in Step 1. This will leave 5 bolt holes without bolts. These holes are used when optional mulching screen kit is installed (see page 10.)
8. Now adjust the cut off bar (Ref. 19) so that the knives just clear and tighten the screws and nuts. If you are going to use thatching blades, the Cut-Off Bar will have to be readjusted for proper clearance.
9. Mount the stop angles (Ref. 16) to the chute sides with $\frac{1}{4}$ -20 \times $\frac{1}{2}$ " Truss Head Screws and $\frac{1}{4}$ -20 hex nuts and lockwashers. Leave these screws loose until the hopper is mounted onto the chute.
10. Attach the pivot studs and nuts (Ref. 15) to the side weldments.

HOPPER ASSEMBLY

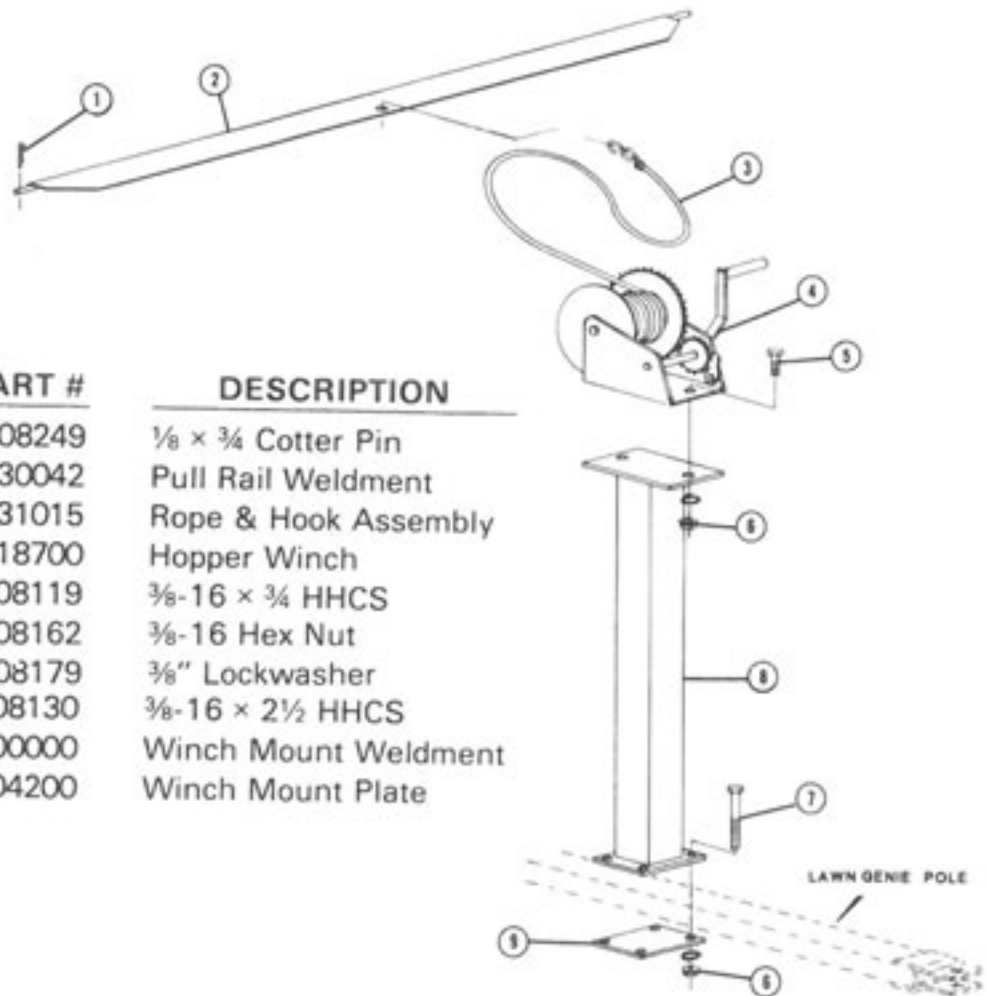
(Refer To Chute and Hopper Assembly Drawing, Page 9)

1. Bolt Right and Left Hopper Side Panels (Refs. 13 & 4) to the Hopper Rear Panel (Ref. 1) with $\frac{1}{4}$ -20 \times $\frac{1}{2}$ " Truss Head Screws and $\frac{1}{4}$ -20 hex nuts and lockwashers. Heads of screws go to outside of hopper. Side panels go to the inside of the flange of the Rear Panel.
2. Bolt the bottom rail (Ref. 11) to the hopper rear panel with $\frac{1}{4}$ -20 \times $\frac{1}{2}$ " Truss Head Screws and $\frac{1}{4}$ -20 hex nuts and lockwashers. (Heads of screws to the inside.)
3. Bolt the Channel Stiffener (Ref. 9) to the Bottom Rail with $\frac{1}{4}$ -20 \times $\frac{1}{2}$ " Truss Head Screws and $\frac{1}{4}$ -20 hex nuts and lockwashers. (Again, heads of screws to the inside.)
4. Install the Right Side Post (Ref. 12) onto the rear side of the flange of the side panel with 5/16-18 \times $\frac{3}{4}$ " HHCS and 5/16-18 hex nuts and lockwashers. (Heads of bolts to the front.)
5. Install Right Side Gusset (Ref. 10) onto side panel with $\frac{1}{4}$ -20 \times $\frac{1}{2}$ " Truss Head Screws and $\frac{1}{4}$ -20 hex nuts and lockwashers and onto side post with 5/16-18 \times $\frac{3}{4}$ " HHCS and 5/16-18 hex nuts and lockwashers.
6. Install the right pivot bracket (Ref. 8) onto side post with 5/16-18 \times $\frac{3}{4}$ " HHCS and 5/16-18 hex nuts and lockwashers.
7. Now, bolt left side post to side panel with 5/16-18 hex nuts and lockwashers.
8. Install Left Side Gusset (Ref. 7) and Left Pivot Bracket (Ref. 6) as you did in Steps 5 and 6 on the Right side.
9. Insert one of the pull rope link (Ref. 14) through a Side Brace (Ref. 3) and then through the hole at the top of the Side Post.
10. Do the same as in Step 9 to the other side post.
11. Install hopper top assembly (Ref. 2) with #10 \times $\frac{1}{2}$ hex washer head screws across the top of the rear panel and $\frac{1}{4}$ -20 \times $\frac{1}{2}$ " Truss Head Screws along both sides. Flange of the top assembly should be outside the side panels and inside the side posts.
12. Secure other ends of side braces (Ref. 3) to the hopper sides as shown. These braces go outside the fabric.
13. Hang completed Hopper Assembly onto Pivot Studs on Chute Assembly.
14. Push Chute Stop Angles (Ref. 16) up to hopper side posts and tighten bolts that were left loose in Step 9 of Chute Assembly.

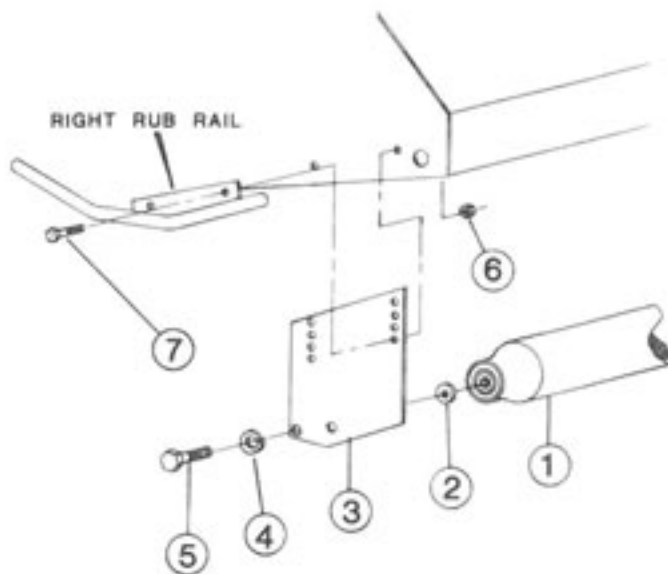
OPTIONAL

36" HOPPER WINCH KIT M-C #1331042

REF. #	QTY.	PART #	DESCRIPTION
1	2	0008249	1/8 x 3/4 Cotter Pin
2	1	1330042	Pull Rail Weldment
3	1	1331015	Rope & Hook Assembly
4	1	1318700	Hopper Winch
5	2	0008119	3/8-16 x 3/4 HHCS
6	6	0008162	3/8-16 Hex Nut
	6	0008179	3/8" Lockwasher
7	4	0008130	3/8-16 x 2 1/2 HHCS
8	1	1300000	Winch Mount Weldment
9	1	1304200	Winch Mount Plate



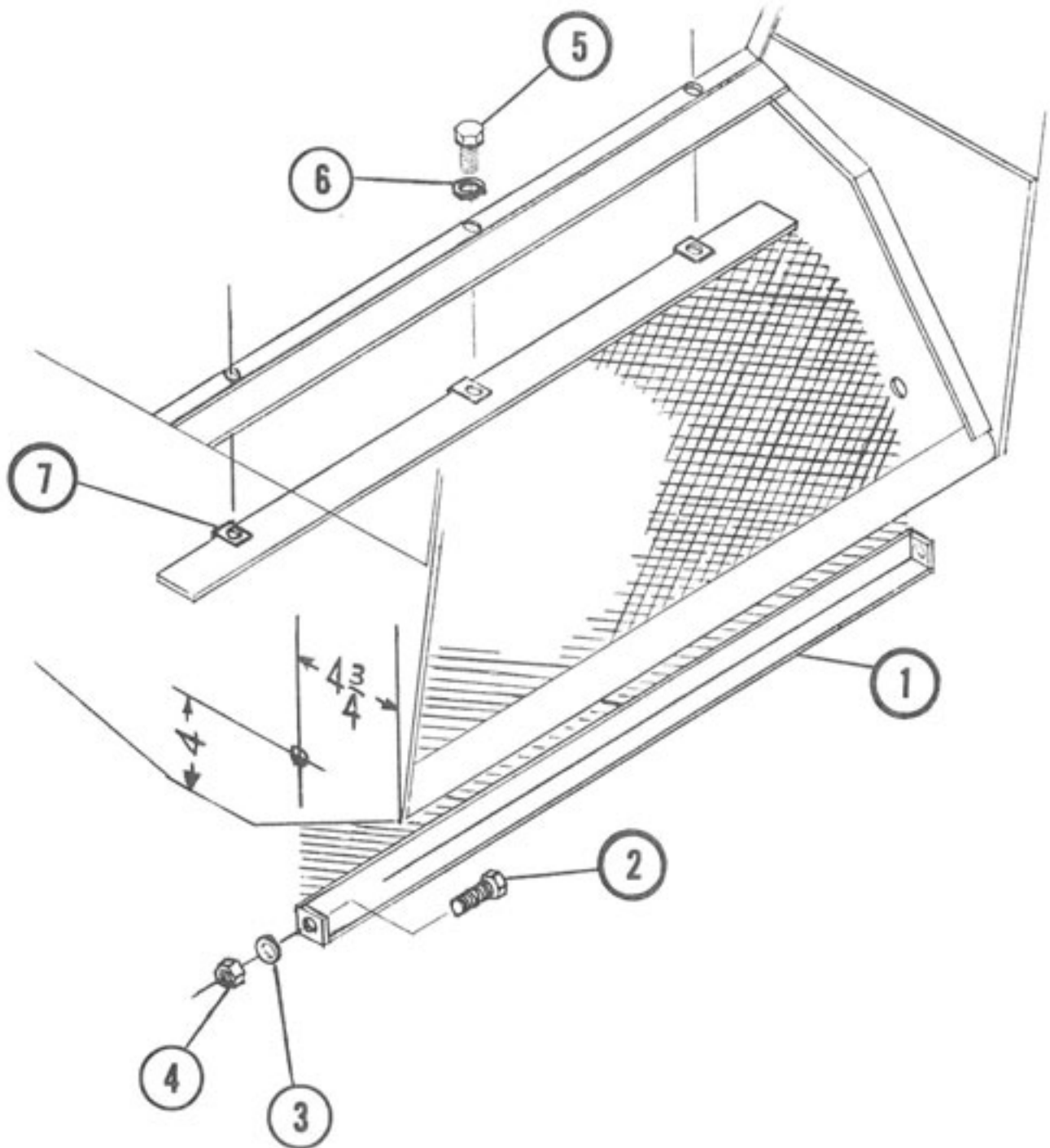
36" FRONT ROLLER KIT M-C #1339021



PARTS LIST

REF. #	QTY.	PART #	DESCRIPTION
1	1	1311007	Gauge Roller
2	2	0928255	1/4" Thick Flatwasher
3	2	1333413	Front Roller Bracket
4	2	0008180	1/2" Lockwasher
5	2	0008138	1/2-13 x 1 1/2 HHCS
6	4	0008204	3/8-16 NY-Lock Nut
7	4	0008289	3/8-16 x 1 1/2 HHCS Grd #5

OPTIONAL L36 LEAF MULCHING SCREEN



Ref. No.	Qty.	Part No.	Description
1	1	1330001	Leaf Mulching Screen
2	2	0008121	3/8"-16 x 1" Hex Bolt
3	2	0008179	3/8 Lockwasher
4	2	0008162	3/8-16 Hex Nut
5	3	0008108	5/16-18 x 1" Hex Bolt
6	3	0008173	5/16 Flatwasher
7	3	0018111	5/16-18 "U" Nut Retainer

INSTRUCTIONS FOR ORDERING PARTS

To eliminate error and speed delivery:

1. Write your **NAME** and **ADDRESS** on your order **PLAINLY**.
2. Explain **WHERE** and **HOW** to make shipment.
3. **GIVE MODEL NAME, NUMBER, and SERIAL NUMBER** that is stamped on the **NAME PLATE** of your product.
4. Order from your **PARTS LIST** as this is the **ONLY** means we have of identifying the parts you need. Order by **QUANTITY DESIRED**, the **PART NUMBER**, and the **description OF PART**.
5. Order your parts from your **LOCAL M-C DEALER** or **DISTRIBUTOR**.
6. **INSPECT ALL SHIPMENTS ON RECEIPT**. If any parts are damaged or missing, file a claim with the carrier before accepting.
7. Do not return parts to Mathews Company without a "Return Goods Authorization" from the factory. A list of all returned parts, a letter of explanation, and your name and address should be included with the shipment. **TRANSPORTATION CHARGES MUST BE PREPAID**.



OWNERS NOTICE

**TO INSURE WARRANTY CLAIMS, BE CERTAIN TO FILL
OUT AND MAIL WARRANTY CARD WITHIN 30 DAYS.**

NOTE: The Company reserves the right to incorporate any changes in design without obligation to make these changes on units previously sold.