



Price \$1.50

TAKES THE WORK OUT OF LAWN AND ESTATE CARE

lawn genie

FLAIL PICKUP MOWER



OPERATOR'S MANUAL

MODEL LG36 Serial No. 1861 thru 34989

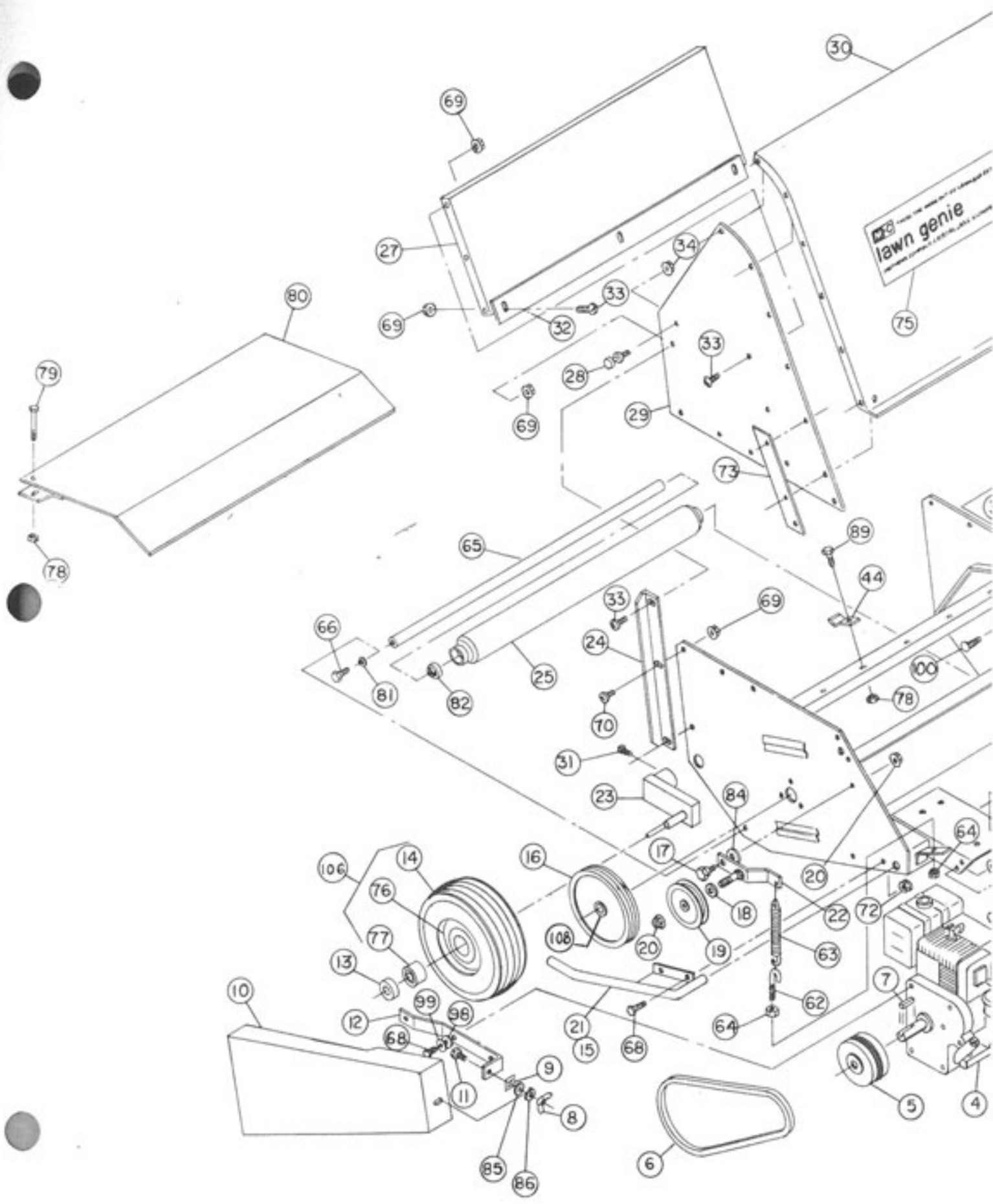
MANUFACTURED UNDER PATENT NO. 3,633,349; 3,693,335 OTHER PATENTS PENDING.

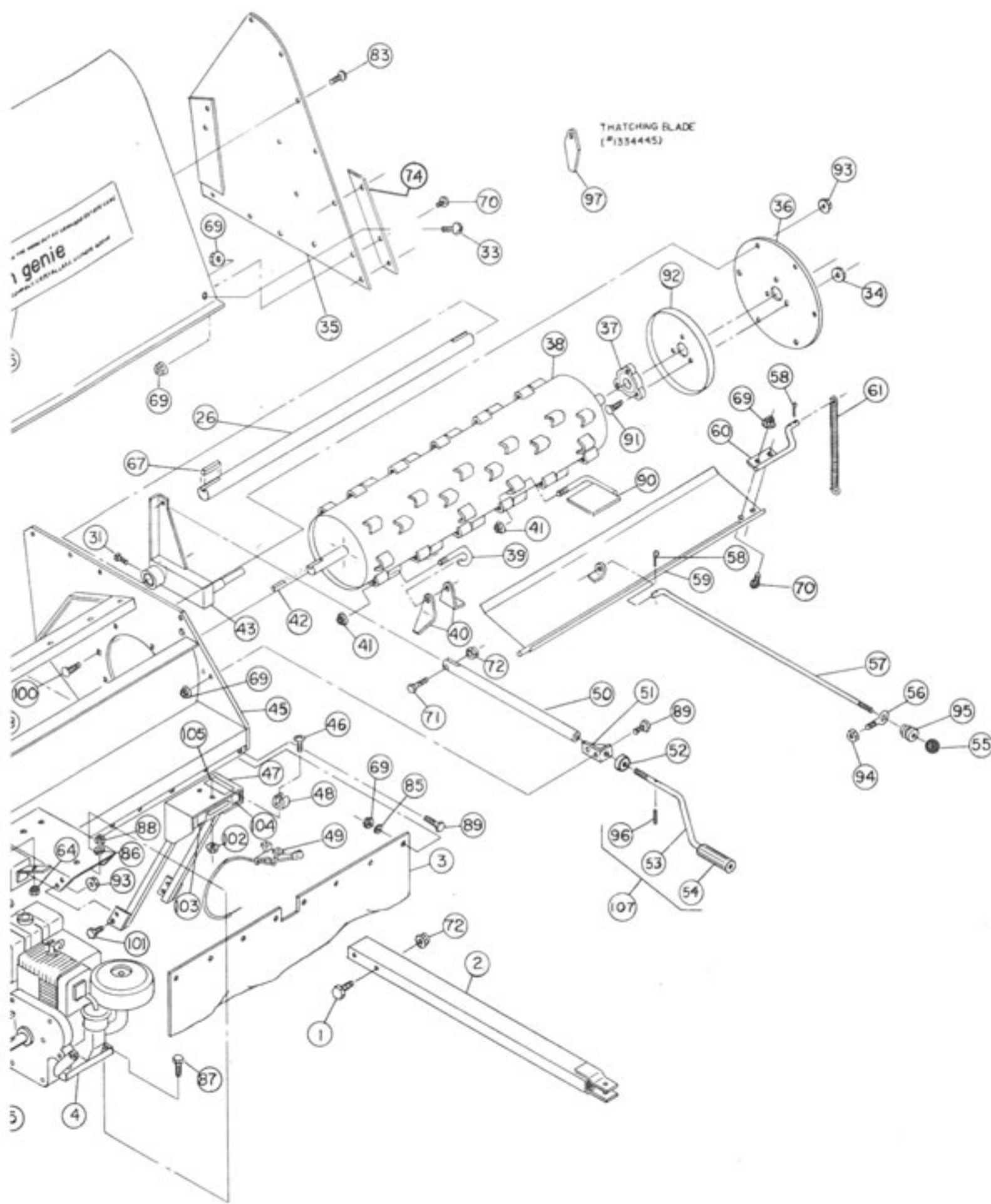
B.C. Mathews Co./ CRYSTAL LAKE, ILLINOIS 60014 • U.S.A. • LG-36-74
PRINTED IN U.S.A. (Rev. 7-84)

LG36
PARTS LIST

REF. #	PART #	QTY.	DESCRIPTION	REF. #	PART #	QTY.	DESCRIPTION
1	0008132	2	3/8-16x3 1/4 HHCS	55	1318999	1	Knob
2	1310077	1	Pole	56	1318100	1	1/4-20x2 1/4" Eye Bolt
3	1318985	1	Wind Flap	57	1318987	1	Control Rod
4	1318500	1	8 HP Engine	58	0008249	1	Cotter Key 1/8x3/4
5	1316600	1	Clutch	59	1310008	1	Damper Panel
6	0016100	1	V-Belt B56	60	1310003	1	Damper Panel Crank
7	0015151	1	Key 1/2x1/2x2 1/4	61	1318990	1	Damper Spring 7"
8	0008166	1	5/16-18 Wing Nut	62	0018132	1	J Bolt 3/8-16x4"w3" Thd.
9	0018112	1	5/16 Tinnerman Nut	63	1318256	1	Idler Spring
10	1310018	1	Belt Guard	64	0008162	2	3/8-16 Hex Nut
11	0008108	1	5/16-18x1" HHCS	65	1315193	1	Roller Tie Rod
12	1313402	1	Engine Brace	66	0008137	2	1/2-13x1 1/4 HHCS
13	1318995	2	Collar	67	1315130	2	Axle Key 3/8x3/8x2 1/4
14	1328998	2	Tire 13.500x6	68	0008121	4	3/8-16x1 HHCS
15	1310013	1	Tree Guard Right Side	69	0008167	54	1/4-20 Whiz Nut
16	0016205	1	V Pulley 8.950:D. B-Sec.	70	1318101	6	1/4-20x3/4 Truss Head
17	0018163	1	Shoulder Bolt	71	0008290	1	3/8-16x1 1/2 HHCS
18	0008175	4	1/2 Flat Washer	72	0008204	7	3/8-16 NY Lock Nut
19	0016200	1	Idler 4-5/8 O.D.x 1/2 Bore	73	1334655	1	Chute Stiffener Right
20	0008170	1	1/2-13 Whiz Nut	74	1334654	1	Chute Stiffener Left
21	1310012	1	Tree Guard Left Side	75	1318300	1	Decal Lawn Genie
22	1310040	1	Idler Arm Weld.	76	1328997	2	Wheel Assy. w/2 #77
23	1310006	1	Wheel Mount Right Side	77	1326000	4	Brg. 3/4 I.D.
24	1314431	2	Stop Angle	78	0008210	6	1/4-20 2-Way Lock Nut
25	1311007	1	Roller Assy. Inc.#65+#82	79	0008101	2	1/4-20x2 HHCS
26	1315042	1	Mower Main Axle	80	1310010	1	Rear Access Cover
27	1314775	1	Upper Inside Panel	81	0008180	3	1/2 Lock Washer
28	1305000	2	Pivot Stud	82	1316003	2	Brg, Gauge Rolls 7/8 I.D.
29	1310021	1	Chute Side Right	83	0008213	38	1/4"-20x1/2 Truss Head Screw
30	1315180	1	Chute Front Panel	84	1312945	1	Shim (Special) 3/4 I.D.
31	1318131	2	3/8-16x5/8 Sq.Cn.Pt.S.S.	85	0008173	9	5/16 Flat Washer
32	1314428	1	Cutoff Bar	86	0008222	5	5/16 Lock Washer
33	0008213	38	1/4"-20x1/2 Truss Head Screw	87	0018115	4	5/16-18x2 Gr. 5 HHCS
34	0008170	2	1/2-13 Whiz Nut	88	0008159	4	5/16-18 Hex Nut
35	1310022	1	Chute Side Left	89	0008100	8	1/4-20x3/4 HHCS
36	1314653	1	Rotor Access Cover	90	1310017	8	Vacuum Paddle
37	0016016	2	3 Bolt Bearing 1 1/4 I.D.	91	0008124	6	3/8-16x1 1/4 Carriage Bolt
38	1310016	1	Rotor Weld	92	1314662	2	Anti Wrap Shield
39	1318707	42	Knife Hanger	93	0008169	10	5/16-18 Whiz Nut
40	1314446	84	Knife	94	0008158	2	1/4-20 Hex Nut
41	0008205	50	3/8-16 Flg. Mac Lock Nut	95	1318977	1	Grommet
42	0015118	1	Key 1/2x1/2x1 1/4	96	1338254	1	3/16x1" Roll Pin
43	1310007	1	Wheel Mount Left	97	1334445	*	Thatching Blade Optional
44	1313305	2	Locking Clip	98	0008174	2	3/8 Flat Washer
45	1310001	1	Body Weld	99	0008179	2	3/8 Lock Washer
46	0008223	2	3/16-24x3/8 Whiz Screw	100	0008237	6	5/16-18x3/4 Carriage Bolt
47	1310011	1	Console	101	0008106	4	5/16-18x3/4 HHCS
48	1318994	1	Clip-Rope Handle	102	0008224	2	3/16-24 Whiz Nut
49	1317000	1	Throttle Control	103	1318303	1	Decal (Turtle)
50	1310005	1	Ram Tube	104	1318302	1	Decal (Rabbit)
51	1310039	1	Crank Mount Bracket	105	1318301	1	Decal (Ground-Hopper)
52	1316000	1	Ram Bearing	106	1318993	2	Wheel Assy, Inc.#14,76,77
53	1315175	1	Crank Screw	107	1311033	1	Crank Screw Assy.
54	1318991	1	Handle Crank Screw	108	1216246	1	Taper Lock Bushing 1 1/4"

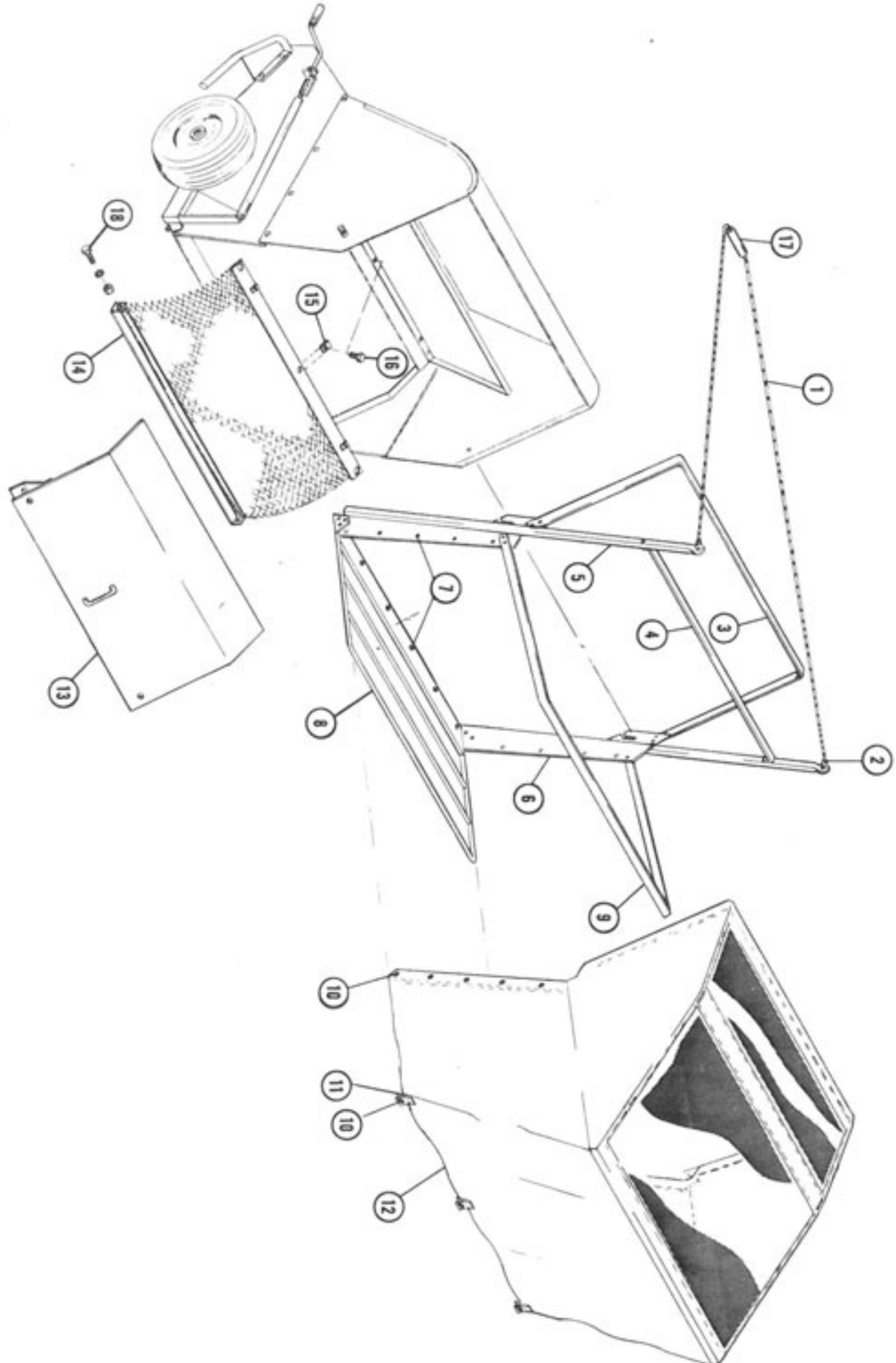
*NOTE: See instructions for quantity used.

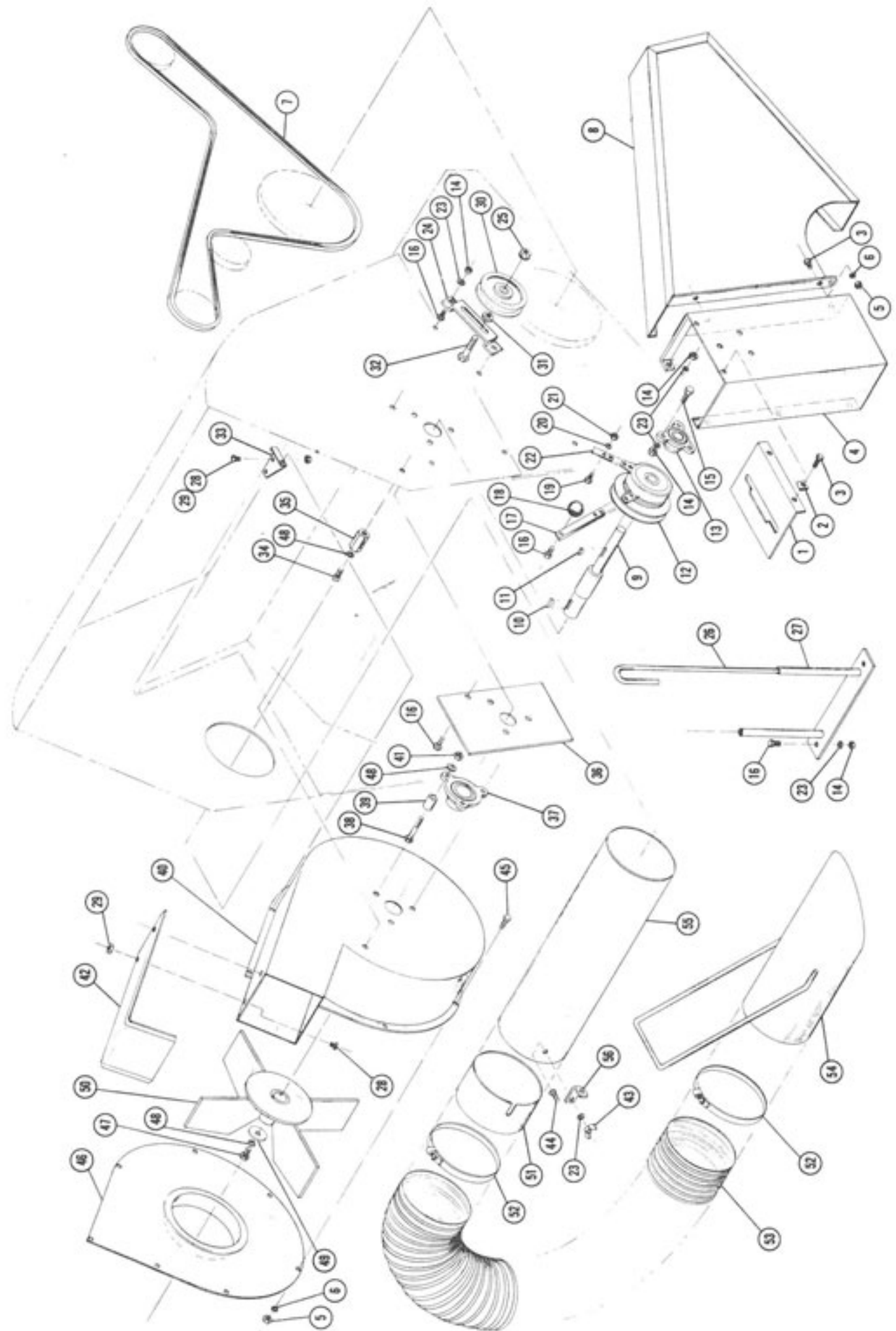




36" LAWN GENIE BASKET ASSEMBLY

REF.	QTY.	PART NO.	DESCRIPTION
1	1	1318986	Rope
2	2	1318978	Link
3	1	1312000	Front Bow
4	1	1313304	Center
5	1	1311036	Post Weldment Left Side
6	1	1311035	Post Weldment Right Side
7 Consists of:			
	16	1305000	Stud ($\frac{1}{2}$ "-12.7mm) & $\frac{1}{2}$ " Whiz Nut 0008170
	16	1308251	Pop Rivet
8	1	1311034	Bottom Weldment Basket
9	1	1312001	Rear Bow
10 Consists of:			
	19	1308252	Fronts
	19	1308253	Sockets
11 Consists of:			
	3	1318251	Eyelets
	3	1308250	Stud
12	1	1311000	Fabric Assembly
13	1	1310010	Rear Access Cover
14	1	1330001	Leaf Mulching Screen(Optional)
15	3	0018111	5/16-18 U-Shaped Nut Retainer
16	3	0008108	5/16-18 x 1 HHCS
17	1	1318992	Handle Bracket
18	2	0008119	3/8-16 x 3/4 HHCS w/Nut #0001862 & Lock Washer
—	1	1311013	Basket Frame Ass'y. (Includes Ref. 1 thru 6, 8, 9 & 17)





NO. 1339003 VACUUM BLOWER – PARTS LIST

Ref.	Qty.	Part No.	DESCRIPTION	Ref.	Qty.	Part No.	DESCRIPTION
1	1	1335185	Cover	31	3	-----	1/2 Flat Washer
2	2		1/4-20 Tinnerman Nut	32	1	-----	1/2-13 x 2-1/4" Lg. Hex Hd. Cap Screw
3	2	-----	1/4-20 x 3/4" Lg. Hex Hd. Bolt	33	1	1334438	Bracket
4	1	1330015	Clutch Housing	34	1	-----	3/8-16 x 3/4" Lg. Hex Hd. Bolt
5	9	-----	1/4-20 Hex Hd. Nut	35	1	1338255	Spacer
6	9	-----	1/4 Lock Washer	36	1	1334201	Gusset
7	1	1336100	Belt	37	1	0016016	1-1/4" Bore Bearing (3 Bolt)
8	1	1330018	Belt Guard	38	3	-----	3/8-16 x 2-1/2" Lg. Hex Hd. Cap Screw
9	1	1335040	Shaft	39	3	1335591	Spacer
10	1	-----	1/4 Woodruff Key	40	1	1330020	Fan Housing
11	1	-----	3/16 Woodruff Key	41	3	-----	3/8-16 Hex Hd. Nut
12	1	1336600	Clutch & Pulley	42	1	1334768	Deflector
13	1	1336000	3/4" Bore Bearing (3 Bolt)	43	1	-----	5/16-18 Wing Nut
14	7	-----	5/16-18 Hex Hd. Nut	44	1	-----	5/16-18 x 3/4" Lg. Pan Hd. Screw (Whiz Lock)
15	3	-----	5/16-18 x 1" Lg. Hex Hd. Bolt	45	7	-----	1/4-20 x 1/2" Lg. Hex Hd. Bolt
16	5	-----	5/16-18 x 3/4" Lg. Hex Hd. Bolt	46	1	1330017	Cover Panel
17	1	1333521	Handle	47	1	-----	3/8-16 x 1" Lg. Hex Hd. Bolt
18	1	1318999	Ball Handle	48	5	-----	3/8 Lock Washer
19	4	-----	3/16 x 5/8" Lg. Hex Hd. Bolt	49	1	1334436	Washer
20	4	-----	3/16 Lock Washer	50	1	1330014	Fan
21	4	-----	3/16 Hex Hd. Nut	51	1	1330019	Collar
22	1	1333404	Lever	52	2	1338995	Tube Clamp
23	9	-----	5/16 Lock Washer	53	1	1338400	Flexible Tube
24	1	1333361	Idler Bracket	54	1	1330016	Scoop
25	1	-----	1/2-13 Hex Nut (Whiz Lock)	55	1	1335660	Tube
26	2	1333781	Rod	56	1	1334437	Bracket
27	1	1330021	Tube Rack				
28	4	-----	1/4-20 x 1/2" Lg. Pan Hd. Screw				
29	4	-----	1/4-20 Hex Hd. Nut (Whiz Lock)				
30	1	0016200	Idler Pulley				

INSTRUCTIONS FOR ORDERING PARTS:

1. ALL PARTS MUST BE ORDERED FROM YOUR DEALER.
2. GIVE MODEL NUMBER and SERIAL NUMBER that is stamped on the NAME PLATE of your machine.
3. Order from your PARTS LIST, found following each illustration, as this is the ONLY means we have of identifying the parts you need. Order by the QUANTITY DESIRED, the PART NUMBER and the DESCRIPTION OF THE PART.

NOTE: The Company reserves the right to incorporate any changes in design without obligation to make these changes on units previously sold.



OWNERS NOTICE

**TO INSURE WARRANTY CLAIMS, BE CERTAIN TO FILL
OUT AND MAIL WARRANTY CARD WITHIN 30 DAYS.**

PRINTED IN U.S.A.