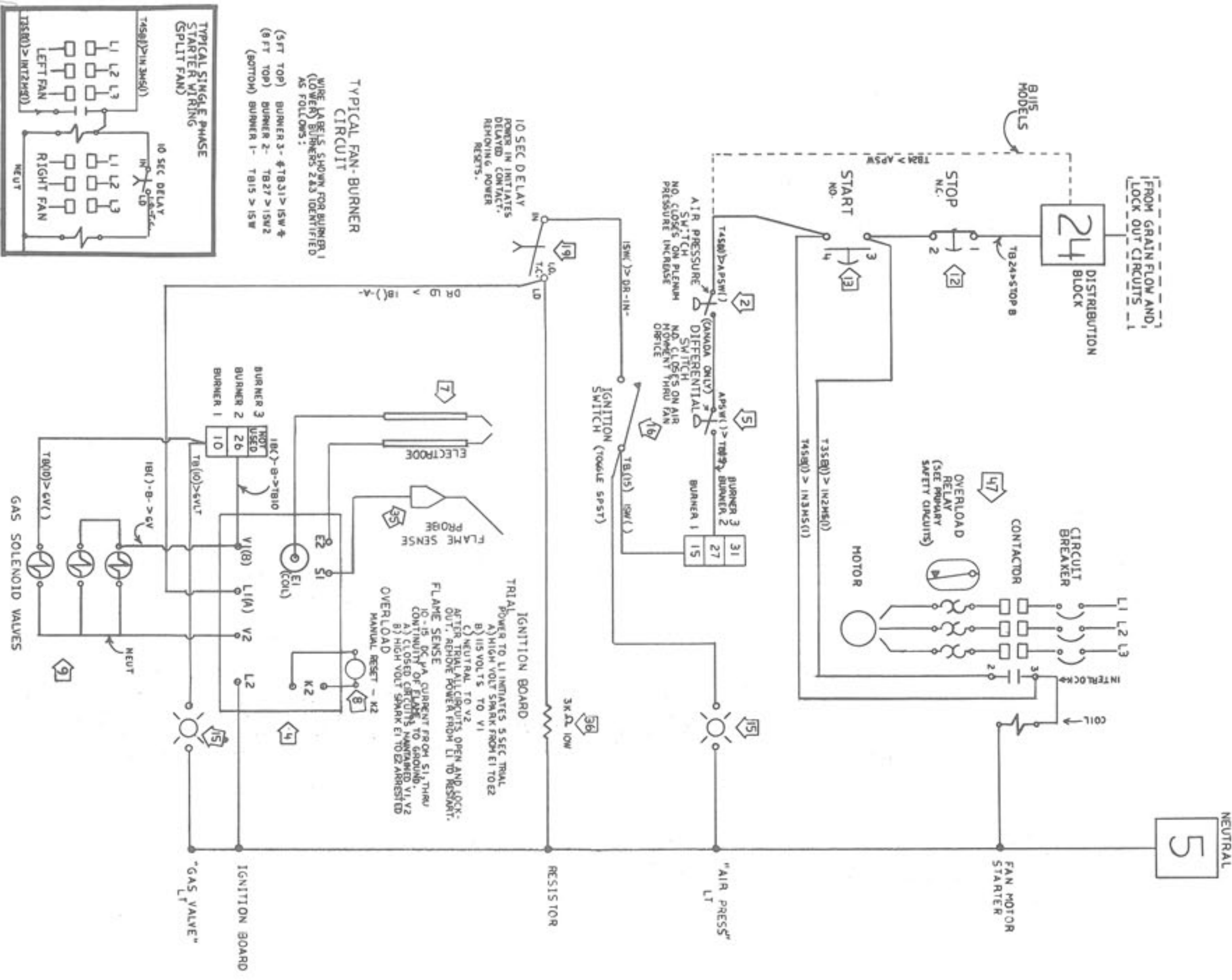
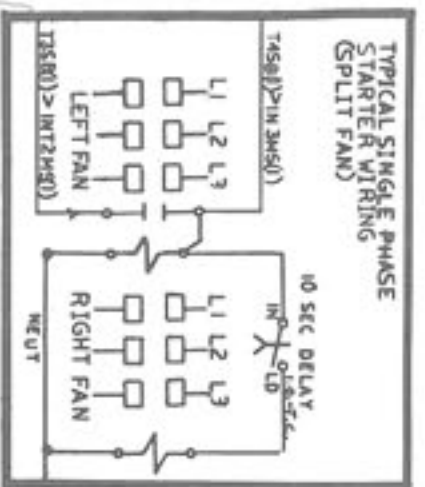


Flow Chart
 Model 370, 670, 690, 970 and 675 thru 3175
 Starting w/Serial No. 48981

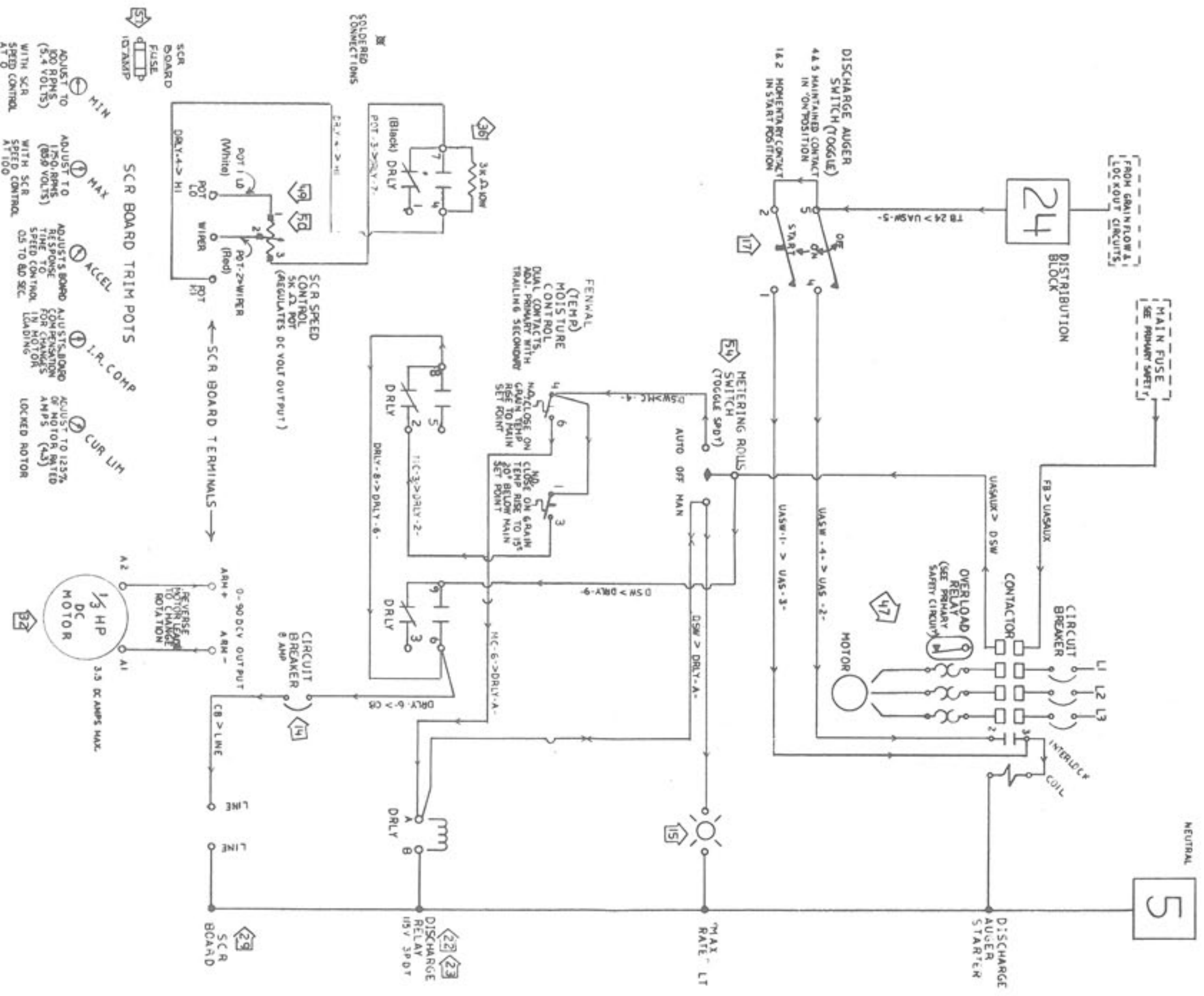


TYPICAL FAN-BURNER CIRCUIT

WIRE LABELS SHOWN FOR BURNER 1 (LOWER) BURNERS 2 & 3 IDENTIFIED AS FOLLOWS:
 (5 FT TOP) BURNER 3 - #TB31 > 15W
 (8 FT TOP) BURNER 2 - TB27 > 15W/2
 (BOTTOM) BURNER 1 - TB15 > 15W



Fan - Burner Circuits
 Model 370, 670, 690, 970 and 675 thru 3175
 Starting w/Serial No. 48981



ADJUST TO 100 RPM'S (5.4 VOLTS) WITH SCR SPEED CONTROL AT 0

ADJUST TO 150 RPM'S (6.9 VOLTS) WITH SCR SPEED CONTROL AT 100

ADJUSTS BOARD RESPONSE TIME TO 0.5 TO 60 SEC

ADJUSTS BOARD FOR CHANGES IN MOTOR LOADING

ADJUST TO 125% OF MOTOR RATED AMPS (4.5) LOCKED ROTOR

MIN

MAX

ACCEL

I.R. COMP

CUR LIM

Discharge Circuit (Fenwal Moisture Control)
 Model 370, 670, 690, 970
 Serial No. 48981 thru 51558